

FCL IN-LINE SUCTION FILTRES WITH PAPER CARTRIDGE



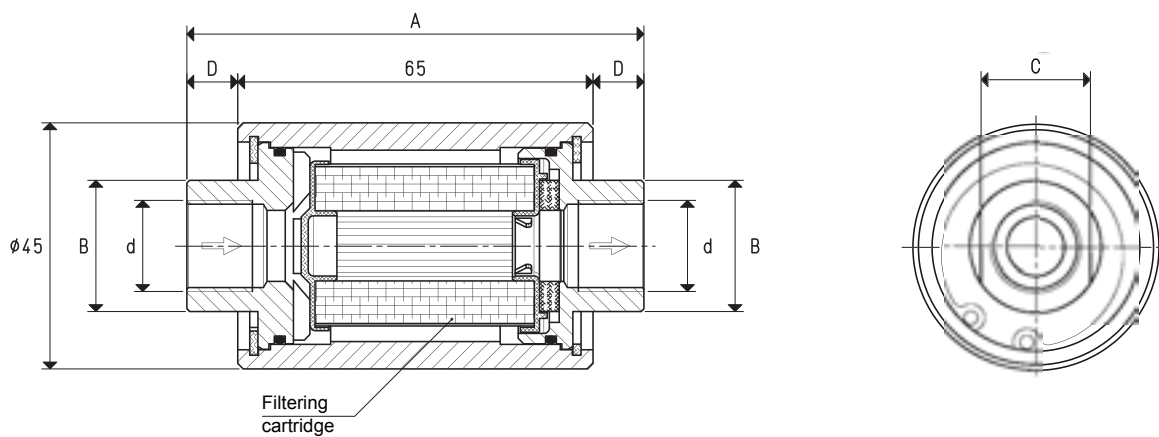
These small in-line filtres retain impurities and very fine dust, interfering with the capacity in a negligible manner. Thanks to their reduced size, they can be directly installed onto vacuum piping, close to the services (vacuum cups, vacuum clamping systems etc.) for a fractionated filtration and a better visual control of all the plant suction points. They are composed of a cylindrical transparent plexiglas body closed by two anodised aluminium flanges kept in place by seeger rings, where all the threaded male or female connections and seals are located. Inside there is a filtering cartridge with a filtering degree equal to $7\ \mu$, which is made with a special treated paper that is pleated to increase the filtering surface. The filtres can be inspected by simply removing one of the flanges. Due to the paper filtering element, these filtres are not recommended in presence of water or oil vapours or condensations.

Technical features

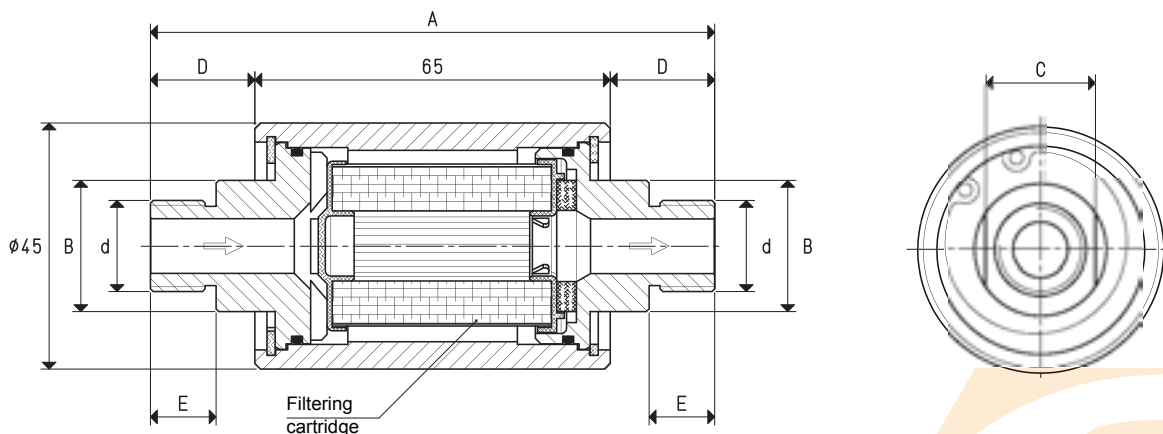
Working pressure: from 0.5 to 3000 mbar abs.

Fluid temperature: from -20 to $+60\ ^\circ\text{C}$

Filtering degree: $7\ \mu$



Art.	d	A	B	C	D	Max capacity	Spare cartridge art.	Spare sealing kit art.	Weight
	\emptyset		\emptyset			cum/h			g
FCL 1	G1/4"	79.2	20.0	17	7.1	7.5	00 FCL 03	00 KIT FCL 1	120
FCL 2	G3/8"	83.6	24.0	20	9.3	20	00 FCL 03	00 KIT FCL 1	136
FCL 3	G1/2"	89.6	26.5	24	12.3	25	00 FCL 03	00 KIT FCL 1	152

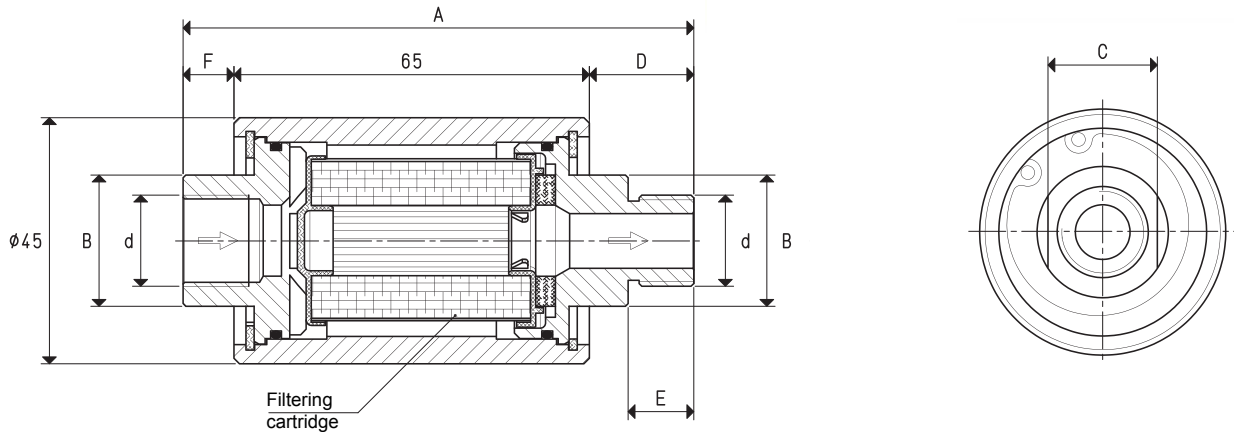


Art.	d	A	B	C	D	E	Max capacity	Spare cartridge art.	Spare sealing kit art.	Weight
	\emptyset		\emptyset				cum/h			g
FCL 1 M	G1/4"	103.2	20.0	17	19.1	12	7.5	00 FCL 03	00 KIT FCL 1	122
FCL 2 M	G3/8"	103.2	24.0	20	19.1	12	20	00 FCL 03	00 KIT FCL 1	138
FCL 3 M	G1/2"	113.6	26.5	24	24.3	15	25	00 FCL 03	00 KIT FCL 1	154

Conversion ratio: inch = $\frac{\text{mm}}{25.4}$; pounds = $\frac{\text{g}}{453.6}$ = $\frac{\text{Kg}}{0.4536}$

GAS-NPT thread adapters available at page 1.117

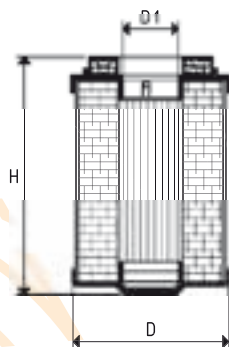
FCL IN-LINE SUCTION FILTERS WITH PAPER CARTRIDGE



Art.	d	A	B	C	D	E	F	Max capacity	Spare cartridge art.	Spare sealing kit art.	Weight
	\emptyset		\emptyset					cum/h			g
FCL 1 MF	G1/4"	91.2	20.0	17	19.1	12	7.1	7.5	00 FCL 03	00 KIT FCL 1	120
FCL 2 MF	G3/8"	93.4	24.0	20	19.1	12	9.3	20	00 FCL 03	00 KIT FCL 1	136
FCL 3 MF	G1/2"	101.6	26.5	24	24.3	15	12.3	25	00 FCL 03	00 KIT FCL 1	152

PAPER FILTERING CARTRIDGES FOR FCL FILTERS

The cartridges described below are suited for FCL filters. They are made with a special treated paper with a filtering degree equal to 7μ , which is pleated in order to increase its surface and wrapped on two flanges in plastic material. They are recommended for retaining impurities and fine dust, but not in presence of water or oil vapours or condensations.



Art.	Filtre art.	D	D1	H	Filtering degree
		\emptyset	\emptyset		micron
00 FCL 03	FCL 1 - FCL 2 - FCL 3 FCL 1 M - FCL 2 M - FCL 3 M FCL 1 MF - FCL 2 MF - FCL 3 MF	31	10	47	5 ÷ 7

FB SUCTION FILTRES WITH METAL CARTRIDGE



Preventing impurities from reaching the vacuum pump is fundamental to guarantee the correct operation and long duration. This range of filtres, to be placed on the vacuum pump suction inlet or on the plant pipeline, has been designed for this purpose. Their simple and rational structure features threaded connections for the installation and a lid, very easy to open, to allow easily cleaning the filtering cartridge. The lids are made with die-cast aluminium, as are the containers, except for the models FB 5, FB 10 e FB 20 which are in transparent plastic material (cellulose acetate), particularly resistant to shocks.

The standard filtering cartridges are in profiled stainless steel mesh, with a filtering degree equal to 44 μ . Upon request, they can be supplied with a filtering degree equal to 100 or 300 μ .

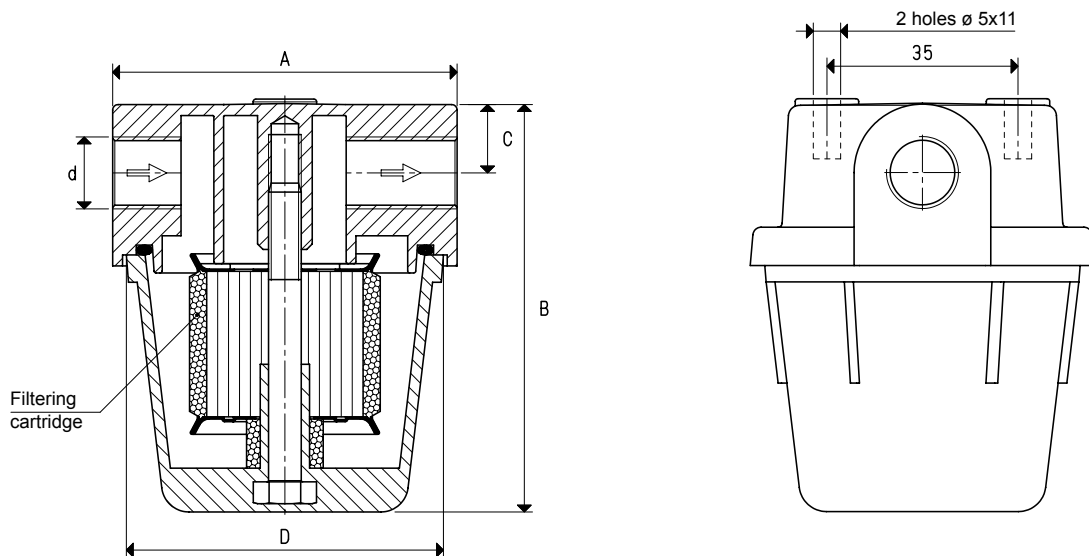
The capacity of these filtres ranges from 5 to 300 cum/h.

Technical features

Working pressure: from 0.5 to 3000 mbar abs.

Fluid temperature: from -20 to +90 °C for filtres with aluminium container from -20 to +50 °C for filtres with containers in transparent plastic material

Filtering degree: 44 μ

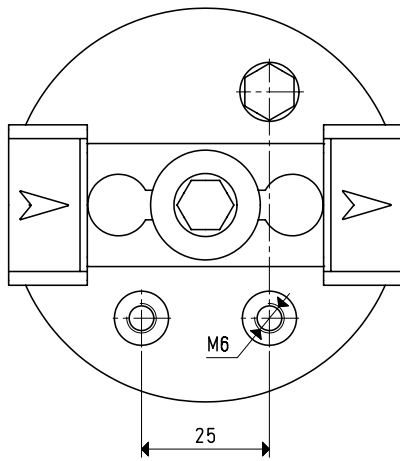
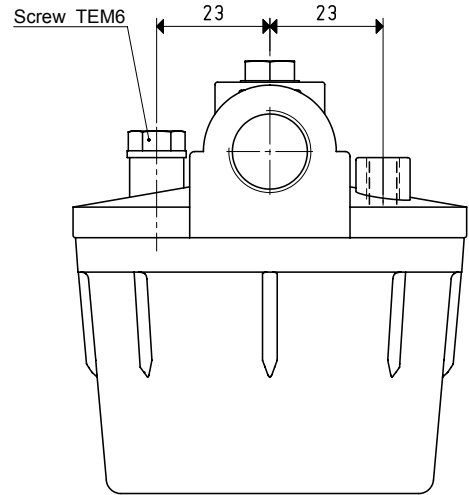
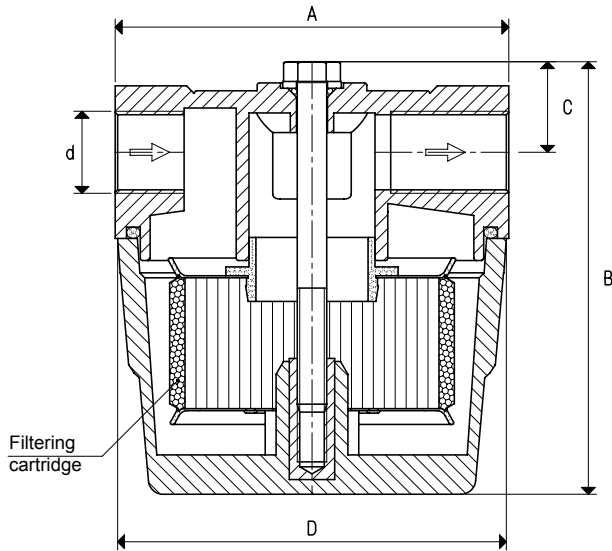


Art.	d	A	B	C	D	Max capacity	Spare cartridge art.	Spare sealing kit art.	Weight
	\emptyset				\emptyset	cum/h			g
FB 5	G1/4"	61	74.5	12.5	59	5	00 FB 03	00 KIT FB5	140

Conversion ratio: inch = $\frac{\text{mm}}{25.4}$; pounds = $\frac{\text{g}}{453.6} = \frac{\text{Kg}}{0.4536}$

GAS-NPT thread adapters available at page 1.117

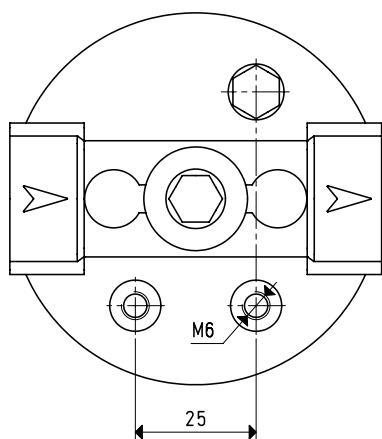
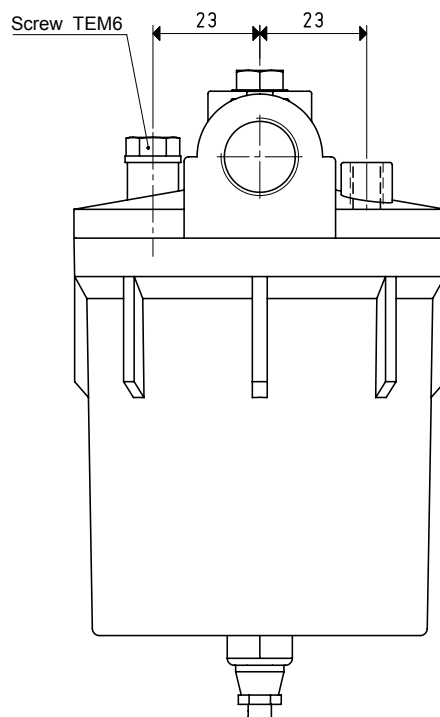
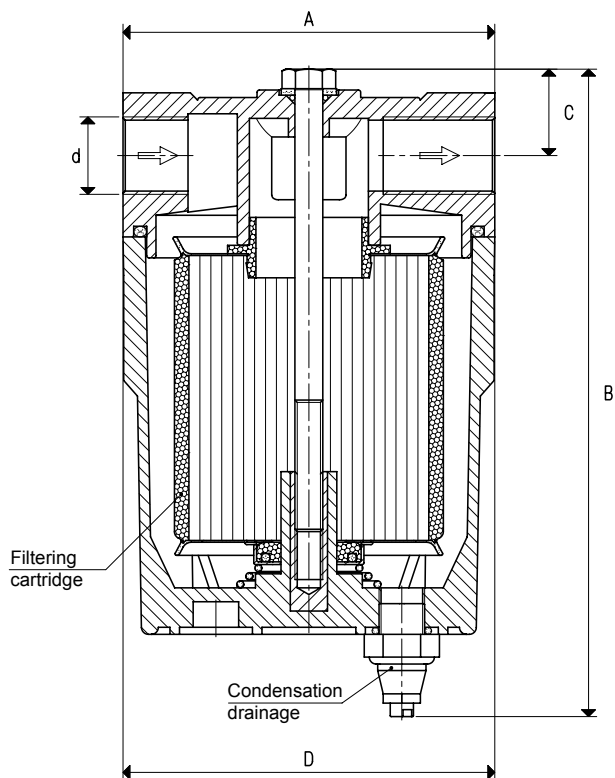
FB SUCTION FILTRES WITH METAL CARTRIDGE



3D drawings available at www.vuototecnica.net

Art.	d	A	B	C	D	Max capacity	Spare cartridge art.	Spare sealing kit art.	Weight
	∅				∅	cum/h			g
FB 10	G3/8"	81	87	17	79	10	00 FB 13	00 KIT FB10	258

FB SUCTION FILTRES WITH METAL CARTRIDGE



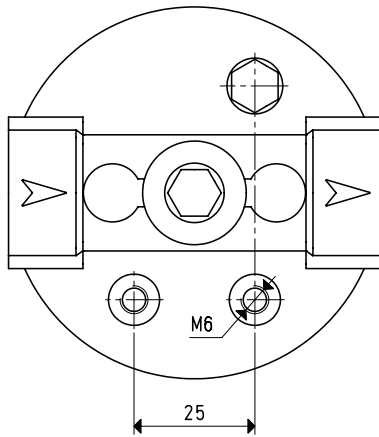
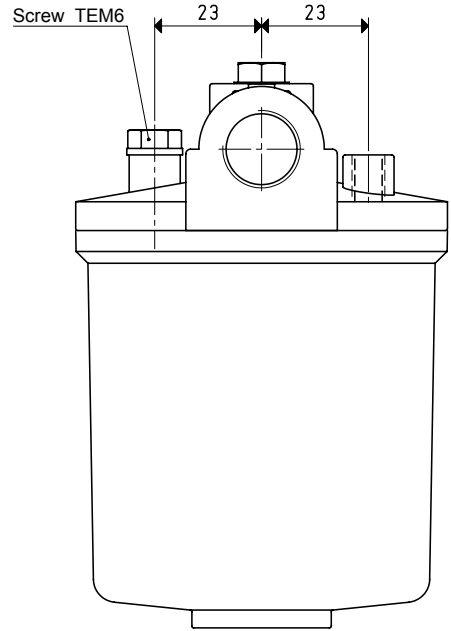
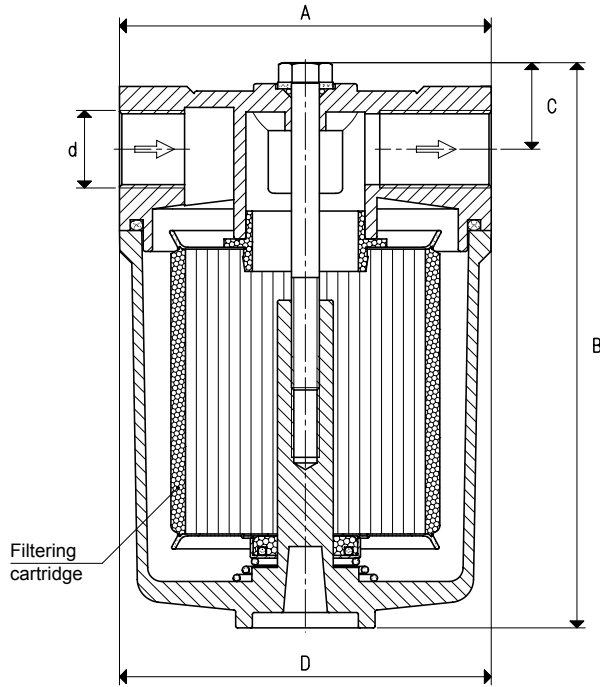
5

Art.	d	A	B	C	D	Max capacity	Spare cartridge art.	Sealing kit and small items art.	Weight
	∅				∅	cum/h			g
FB 20	G1/2"	81	116	17	79	20	00 FB 22	00 KIT FB20	312

Conversion ratio: inch = $\frac{\text{mm}}{25.4}$; pounds = $\frac{\text{g}}{453.6} = \frac{\text{Kg}}{0.4536}$

GAS-NPT thread adapters available at page 1.117

FB SUCTION FILTRES WITH METAL CARTRIDGE



3D drawings available at www.vuototecnica.net

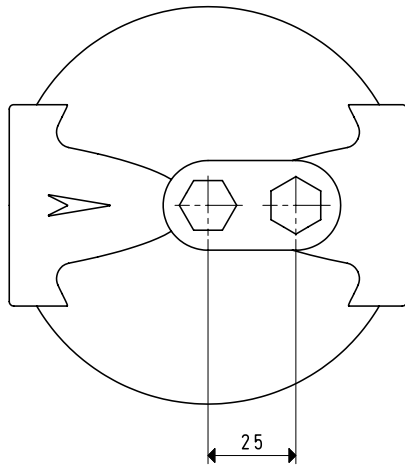
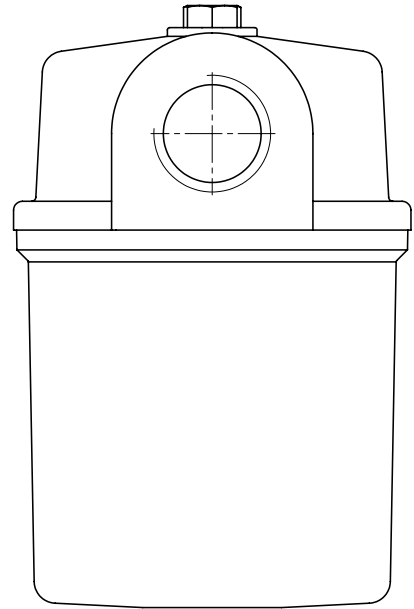
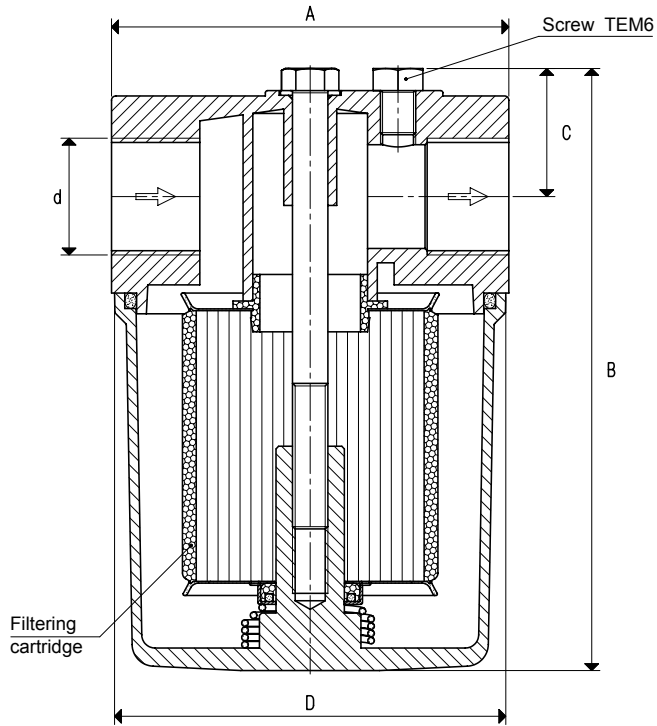
Art.	d	A	B	C	D	Max capacity	Spare cartridge art.	Sealing kit and small items art.	Weight
	∅				∅	cum/h			g
FB 20 A	G1/2"	81	121	17	81	20	00 FB 22	00 KIT FB20	394

5.06

Conversion ratio: inch = $\frac{\text{mm}}{25.4}$; pounds = $\frac{\text{g}}{453.6} = \frac{\text{Kg}}{0.4536}$

GAS-NPT thread adapters available at page 1.117

FB SUCTION FILTRES WITH METAL CARTRIDGE



5

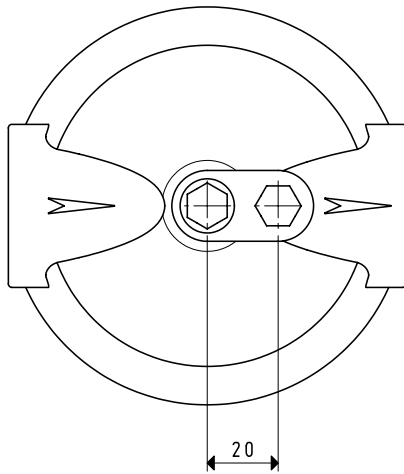
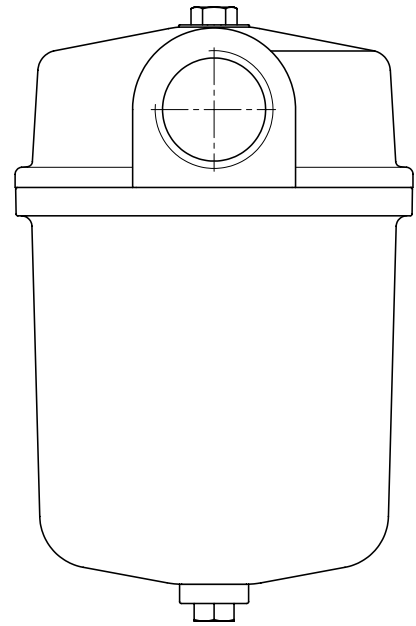
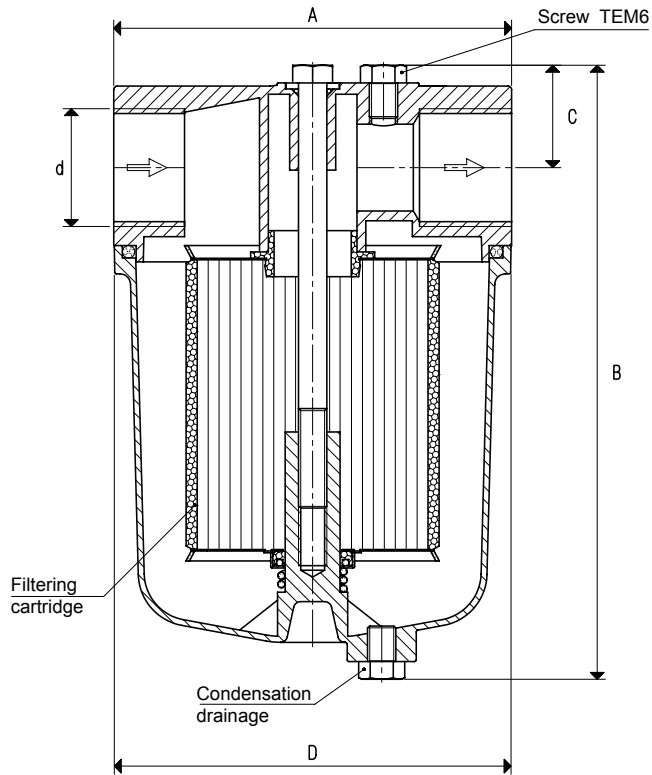
Art.	d	A	B	C	D	Max capacity	Spare cartridge art.	Sealing kit and small items art.	Weight
	∅				∅	cum/h			g
FB 25	G3/4"	96	144	31	90	40	00 FB 22	00 KIT FB 25	594

Conversion ratio: inch = $\frac{\text{mm}}{25.4}$; pounds = $\frac{\text{g}}{453.6} = \frac{\text{Kg}}{0.4536}$

GAS-NPT thread adapters available at page 1.117

3D drawings available at www.vuototecnica.net

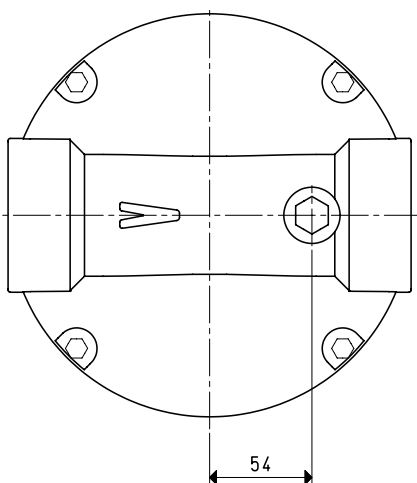
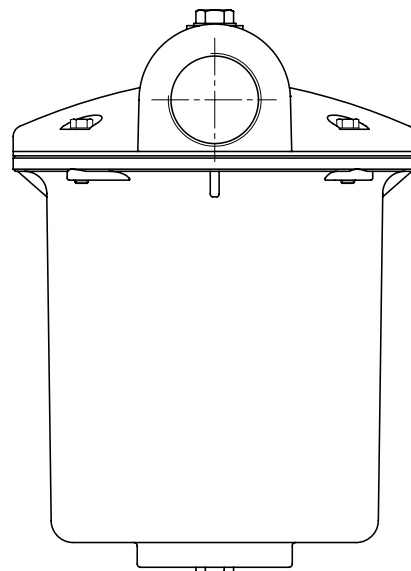
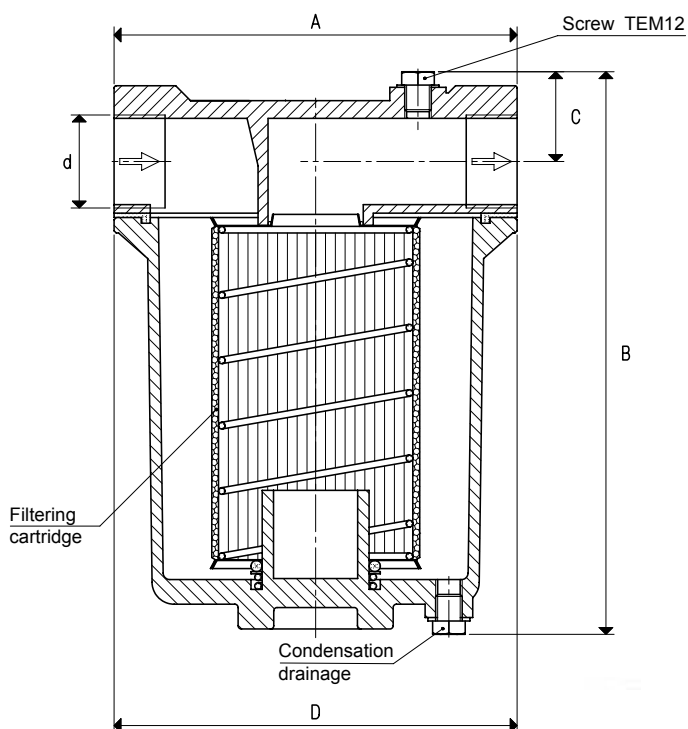
FB SUCTION FILTRES WITH METAL CARTRIDGE



3D drawings available at www.vuototecnica.net

Art.	d	A	B	C	D	Max capacity	Spare cartridge art.	Sealing kit and small items art.	Weight
	∅				∅	cum/h			g
FB 30	G1"	120	181	31	112	70	00 FB 34	00 KIT FB 30	758

FB SUCTION FILTRES WITH METAL CARTRIDGE



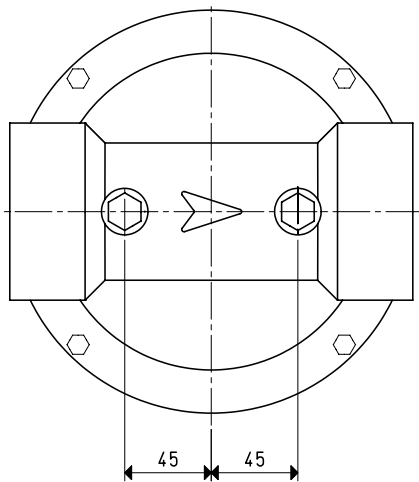
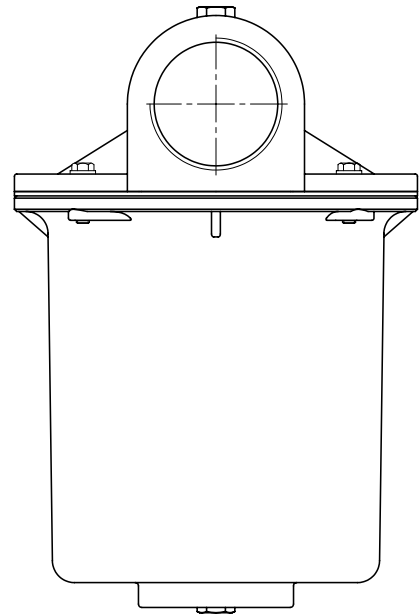
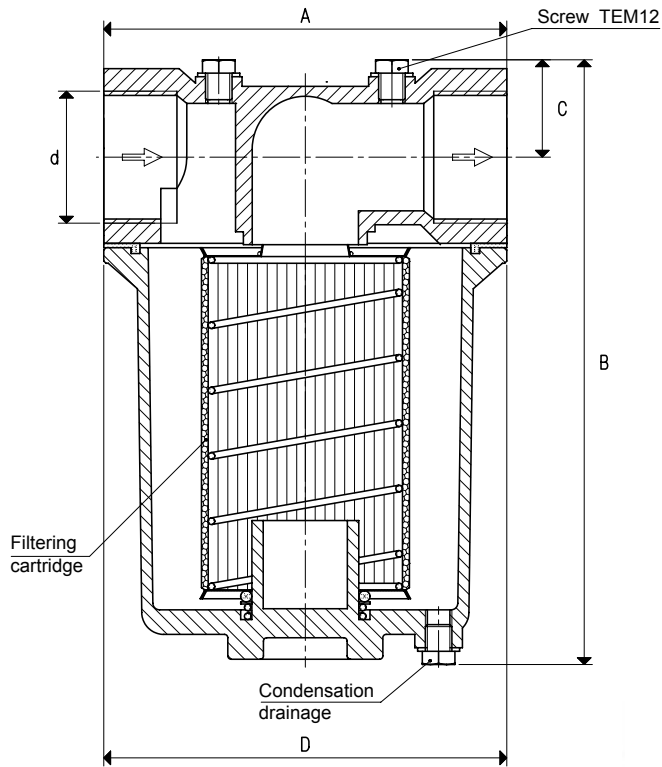
5

Art.	d	A	B	C	D	Max capacity	Spare cartridge art.	Sealing kit and small items art.	Weight
	∅				∅	cum/h			Kg
FB 40	G1" 1/4	190	255	39	182	150	00 FB 45	00 KIT FB 40	3.06
FB 50	G1" 1/2	190	255	39	182	200	00 FB 45	00 KIT FB 50	2.99

Conversion ratio: inch = $\frac{\text{mm}}{25.4}$; pounds = $\frac{\text{g}}{453.6} = \frac{\text{Kg}}{0.4536}$

GAS-NPT thread adapters available at page 1.117

FB SUCTION FILTRES WITH METAL CARTRIDGE

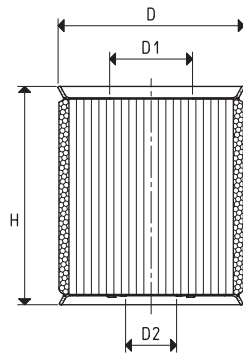


3D drawings available at www.vuototecnica.net

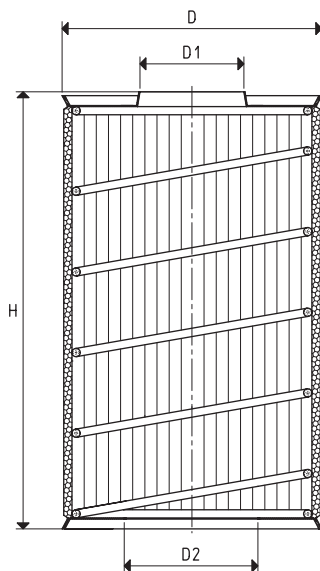
Art.	d	A	B	C	D	Max capacity	Spare cartridge art.	Sealing kit and small items art.	Weight
	∅				∅	cum/h			Kg
FB 60	G2"	182	260	42	182	300	00 FB 52	00 KIT FB 60	3.18

STAINLESS STEEL MESH FILTERING CARTRIDGES FOR FB FILTRES

The cartridges described in this page are suited for FB suction filters. The standard ones are made with profiled stainless steel mesh with a filtering degree equal to 44 μ . Upon request, the same cartridges can be supplied with a filtering degree equal to 100 or 300 μ . They are recommended for retaining impurities even in presence of water and oil vapours or condensations, but not for retaining fine and impalpable dust.



Art.	Filtre art.	D \emptyset	D1 \emptyset	D2 \emptyset	H	Filtering degree micron
00 FB 03	FB 5	35	6	10.0	34	44
00 FB 13	FB 10	58	16	25.5	34	44
00 FB 22	FB 20 - FB 20A - FB 25	58	16	25.5	67	44
00 FB 34	FB 30	74	16	25.5	67	44



Art.	Filtre art.	D \emptyset	D1 \emptyset	D2 \emptyset	H	Filtering degree micron
00 FB 45	FB 40 - FB 50	95	39	49	160	44
00 FB 52	FB 60	95	51	56	160	44

Note: All the cartridges can be supplied with a 100 or 300 micron filtering degree, upon request.

Conversion ratio: inch = $\frac{\text{mm}}{25.4}$; pounds = $\frac{\text{g}}{453.6} = \frac{\text{Kg}}{0.4536}$

GAS-NPT thread adapters available at page 1.117

FC SUCTION FILTRES WITH PAPER CARTRIDGE

These filtres have been designed to allow vacuum pumps to operate even in very dusty environments. Installed onto the pump suction inlet, they are able to retain fine and impalpable dust interfering with the capacity in a negligible manner.

The filtering cartridge is made with a special treated paper with a filtering degree equal to $5 \div 7 \mu$, which is pleated to increase its surface and is contained in a double perforated sheet steel enclosure. The filtering cartridge container, as well as the lid, is made with sheet steel and varnished with a special anti-oxidation paint.

A seal located between the lid and the container guarantees a perfect vacuum seal between the two elements. The release clamps applied onto the container allow a quick opening of the lid for the filtering cartridge inspection or replacement.

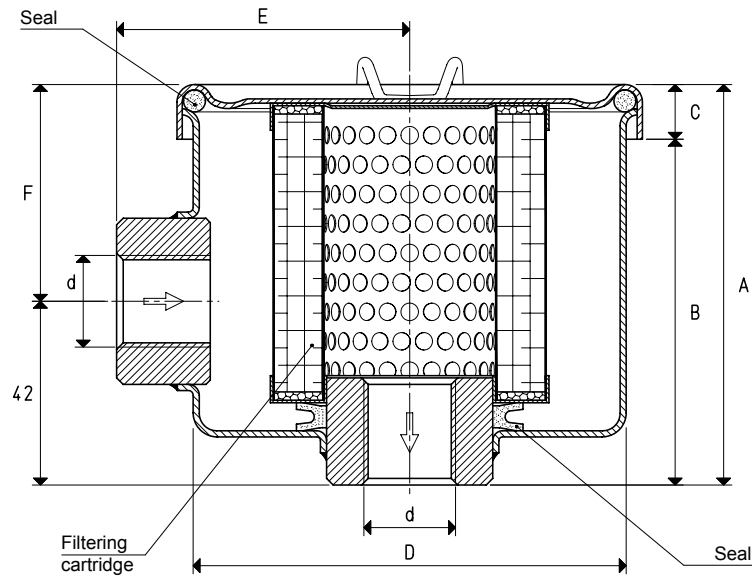
Due to their paper filtering element, these filtres are not recommended in case of water or oil vapours and condensation.

Technical features

Working pressure: from 0.5 to 2000 mbar abs.

Fluid temperature: from -20 to +60 °C

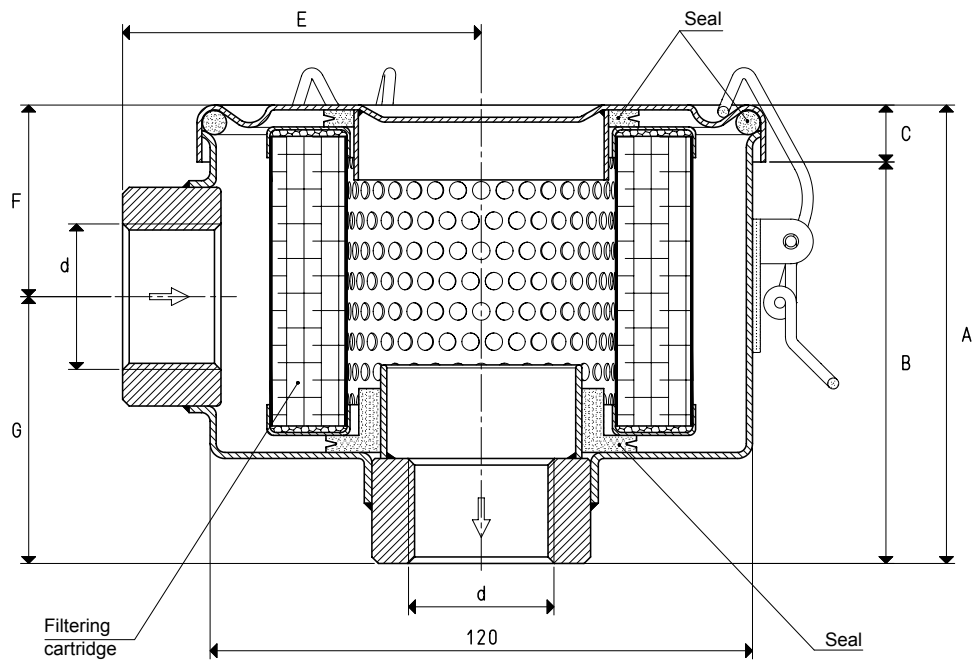
Filtering degree: $5 \div 7 \mu$



3D drawings available at www.vuototecnica.net

Art.	d	A	B	C	D	E	F	Max capacity	Spare cartridge art.	Spare sealing kit art.	Weight
	∅				∅			cum/h			g
FC 10	G3/8"	79	70	9	72	49	37	15	00 FC 04	00 KIT FC 10	352
FC 20	G1/2"	93	80	13	96	67	51	30	00 FC 08	00 KIT FC 20	774
FC 25	G3/4"	93	80	13	96	67	51	50	00 FC 08	00 KIT FC 25	734

FC SUCTION FILTRES WITH PAPER CARTRIDGE



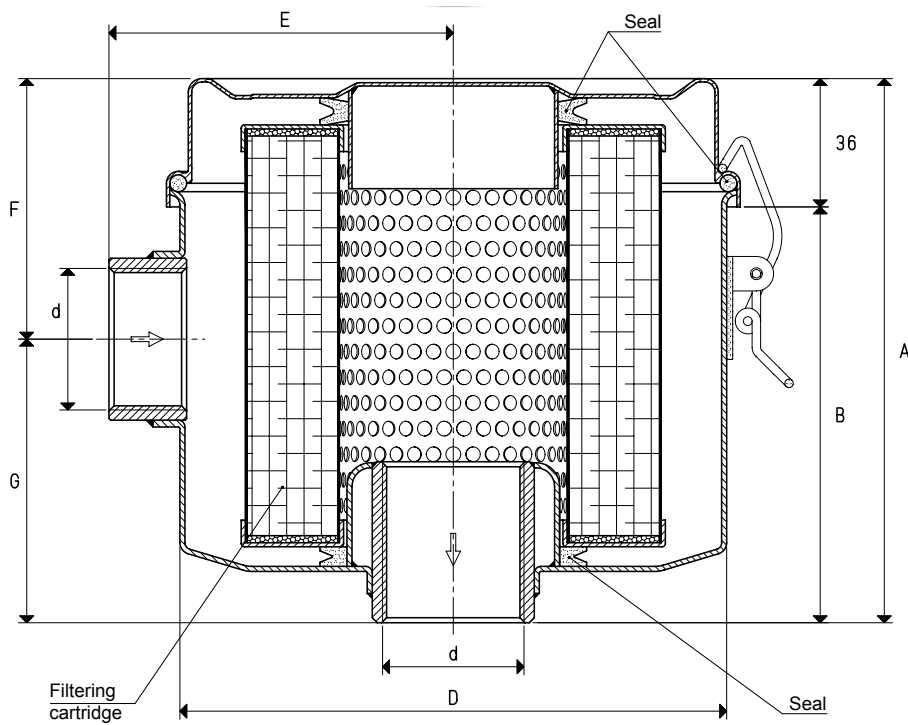
Art.	d	A	B	C	E	F	G	Max capacity	Spare cartridge art.	Spare sealing kit art.	Weight
	∅							cum/h			Kg
FC 30	G1"	105	92	13	84	41	64	90	00 FC 15	00 KIT FC 30	1.17
FC 35	G1" 1/4	97	84	13	78	46	51	100	00 FC 15	00 KIT FC 35	1.02
FC 38	G1" 1/2	101	88	13	80	45	56	200	00 FC 15	00 KIT FC 38	0.95
FC 55	G2"	170	157	13	81	79	91	300	00 FC 33	00 KIT FC 55	1.29

Conversion ratio: inch = $\frac{\text{mm}}{25.4}$; pounds = $\frac{\text{g}}{453.6} = \frac{\text{Kg}}{0.4536}$

GAS-NPT thread adapters available at page 1.117

3D drawings available at www.vuototecnica.net

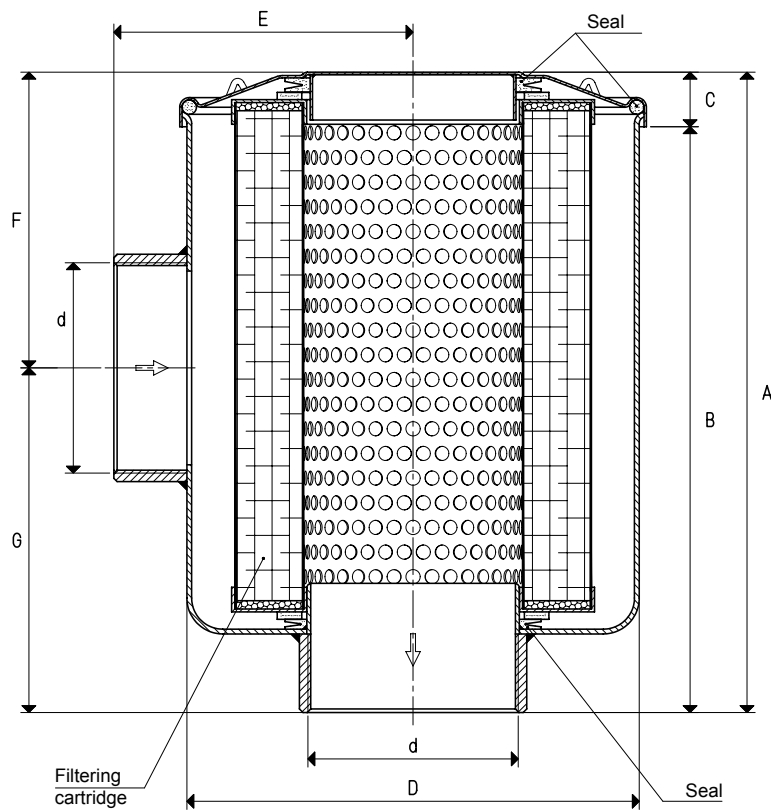
FC SUCTION FILTRES WITH PAPER CARTRIDGE



3D drawings available at www.vuototecnica.net

Art.	d	A	B	D	E	F	G	Max capacity	Spare cartridge art.	Spare sealing kit art.	Weight
	∅			∅				cum/h			Kg
FC 40	G1" 1/4	161	125	162	102	77	84	150	00 FC 22	00 KIT FC 40	1.83
FC 50	G1" 1/2	197	161	160	100	85	112	200	00 FC 24	00 KIT FC 50	2.11

FC SUCTION FILTRES WITH PAPER CARTRIDGE



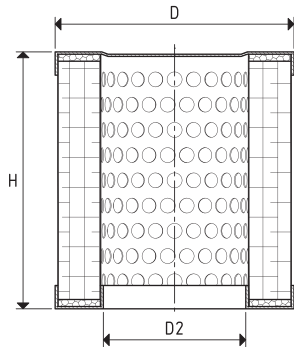
Art.	d	A	B	C	D	E	F	G	Max capacity	Spare cartridge art.	Spare sealing kit art.	Weight
	∅				∅				cum/h			Kg
FC 60	G2"	258	235	23	185	115	126	132	300	00 FC 29	00 KIT FC 60	4.62
FC 80	G3"	270	246	24	185	125	126	144	360	00 FC 29	00 KIT FC 80	3.45
FC 100	G4"	336	311	25	295	166	134	202	540	00 FC 34	00 KIT FC 100	5.56

Conversion ratio: inch = $\frac{\text{mm}}{25.4}$; pounds = $\frac{\text{g}}{453.6} = \frac{\text{Kg}}{0.4536}$

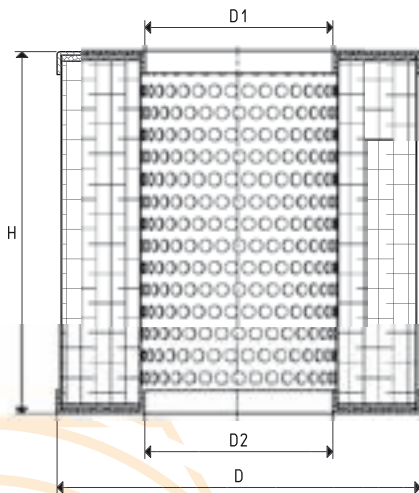
GAS-NPT thread adapters available at page 1.117

PAPER FILTERING CARTRIDGES FOR FC FILTERS

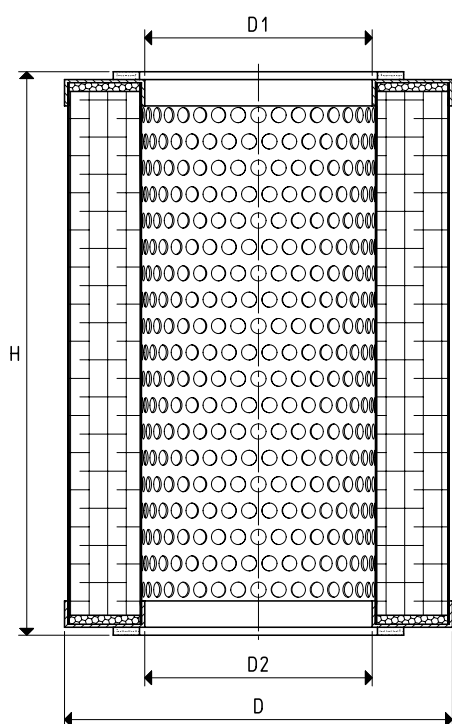
The cartridges described in this page are suited for FC suction filters.
 They are made with a special treated paper, with a filtering degree equal to $5 \div 7 \mu$, which is pleated to increase its surface and contained into a double perforated sheet steel enclosure.
 They are recommended for retaining fine and impalpable dust, but not in presence of water and oil vapours and condensation.



Art.	Filtre art.	D Ø	D2 Ø	H	Filtering degree micron
00 FC 04	FC 10	50	23	59	$5 \div 7$
00 FC 08	FC 20 - FC 25	64	38	69	$5 \div 7$



Art.	Filtre art.	D Ø	D1 Ø	D2 Ø	H	Filtering degree micron
00 FC 15	FC 30 - FC 35 - FC 38	98	60	60	70	$5 \div 7$
00 FC 22	FC 40	126	64	64	125	$5 \div 7$
00 FC 24	FC 50	126	64	64	156	$5 \div 7$
00 FC 33	FC 55	98	60	60	140	$5 \div 7$



5

Art.	Filtre art.	D Ø	D1 Ø	D2 Ø	H	Filtering degree micron
00 FC 29	FC 60 - FC 80	152	89	89	215	5 ÷ 7
00 FC 34	FC 100	227	178	178	278	5 ÷ 7

Conversion ratio: inch = $\frac{\text{mm}}{25.4}$; pounds = $\frac{\text{g}}{453.6} = \frac{\text{Kg}}{0.4536}$

3D drawings available at www.vuototecnica.net

FO OIL-BATH SUCTION FILTERS

In presence of a considerable amount of fine or impalpable dust, the traditional suction filter would require a cartridge with a filtering degree so high that, along with reducing its operation autonomy, it would also reduce the vacuum pump suction capacity.

Oil-bath suction filters have been studied in order to overcome this problem.

The main feature of these filters is the ability to retain the smallest and most impalpable dust particles, without reducing the vacuum pump suction capacity.

Oil-bath filters are composed of a sheet steel head and container coupled with an interposed seal and clamped by release clamps.

Inside, besides the oil bowl, there are two steel wool filtering cartridges, one of which is detachable and washable, while the other is fixed. The release clamps guarantee easy access for cleaning operations.

They can be used with any kind of oil, even drain oil, as long as it has a minimum viscosity degree. The ideal oil is the same one used for the pump.

Oil-bath suction filters are not recommended for dry vacuum pumps.

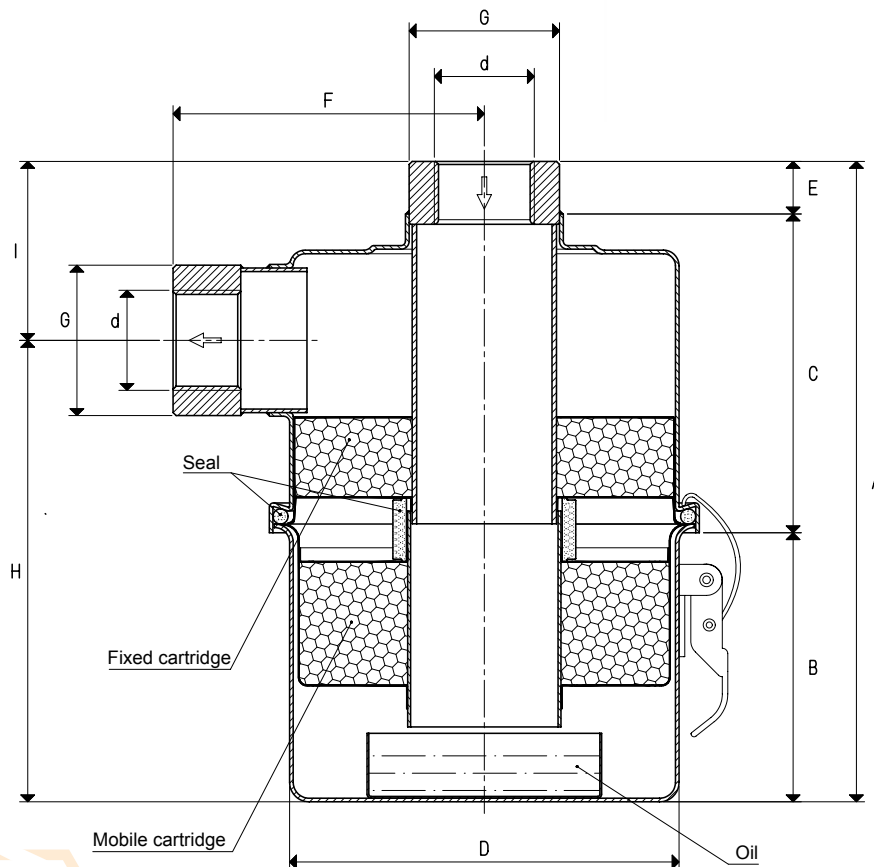
They are currently available for capacities up to 300 cum/h.

Technical features

Working pressure: from 0.5 to 2000 mbar abs.

Fluid temperature: from -20 to +90 °C

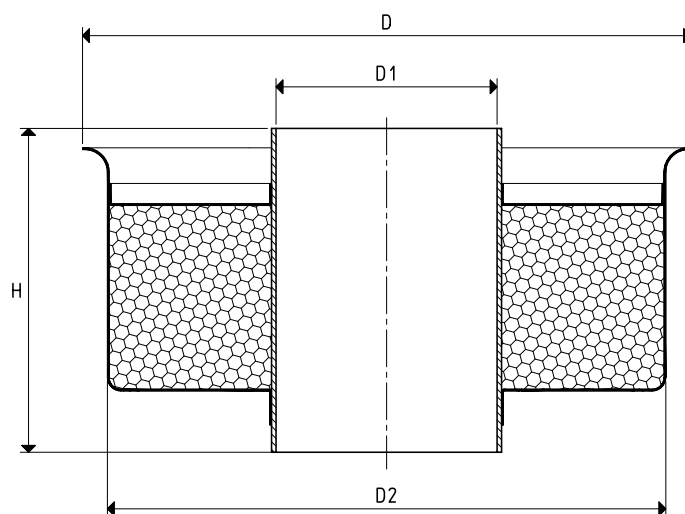
Filtering degree: $\leq 1 \mu$



Art.	d	A	B	C	D	E	F	G	H	I	Max capacity	Spare cartridge art.	Spare sealing kit art.	Weight
	Ø				Ø			Ø			cum/h			Kg
FO 20	G1/2"	205	85	112	106	8	100	40	156	49	30	00 FO 04	00 KIT FO 20	1.44
FO 30	G1"	210	88	106	129	16	106	50	151	59	90	00 FO 09	00 KIT FO 30	1.84
FO 50	G1 1/2"	305	110	135	160	60	128	60	199	106	200	00 FO 14	00 KIT FO 50	2.76
FO 60	G2"	340	140	140	185	60	142	67	217	123	300	00 FO 19	00 KIT FO 60	3.70

STEEL WOOL FILTERING CARTRIDGES FOR FO FILTRES

The cartridges described in this page are suited for FO oil-bath suction filters.
They are made with pressed steel wool contained in a double perforated sheet steel enclosure. Their function is to retain fine or impalpable dust impregnated with the filtre oil.



Art.	Filtre	D	D1	D2	H	Filtering degree
	art.	∅	∅	∅		(installed on the filtre)
						micron
00 FO 04	FO 20	110	40	103	70	≤1
00 FO 09	FO 30	134	49	127	72	≤1
00 FO 14	FO 50	165	58	155	86	≤1
00 FO 19	FO 60	190	66	180	104	≤1

Conversion ratio: inch = $\frac{\text{mm}}{25.4}$; pounds = $\frac{\text{g}}{453.6} = \frac{\text{Kg}}{0.4536}$

FO LONG OPERATION AUTONOMY OIL-BATH SUCTION FILTRES

In presence of a considerable amount of fine or impalpable dust, the traditional suction filtre would require a cartridge with a filtering degree so high that, along with reducing its operation autonomy, it would also reduce the vacuum pump suction capacity.

Oil-bath suction filters have been studied in order to overcome this problem.

The main feature of these filters is the ability to retain the smallest and most impalpable dust particles, without reducing the vacuum pump suction capacity.

Oil-bath filters are composed of a sheet steel head and container coupled with an interposed seal and clamped by release clamps.

Inside, besides the oil bowl, there are two steel wool filtering cartridges, one of which is detachable and washable, while the other is fixed. The release clamps guarantee easy access for cleaning operations.

Two indicator lights allow monitoring the oil level and the degree of clogging.

They can be used with any kind of oil, even drain oil, as long as it has a minimum viscosity degree. The ideal oil is the same one used for the pump.

Oil-bath suction filters are not recommended for dry vacuum pumps.

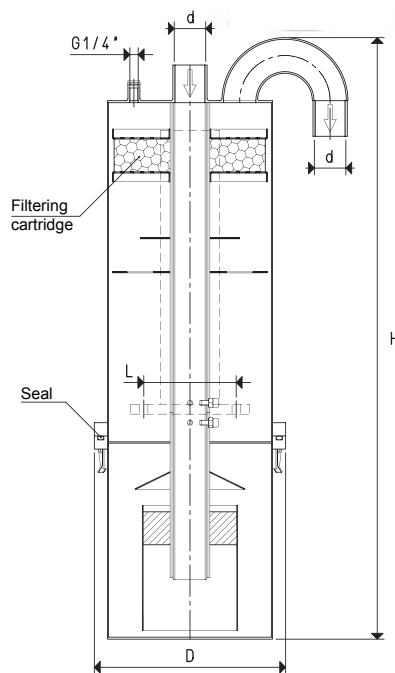
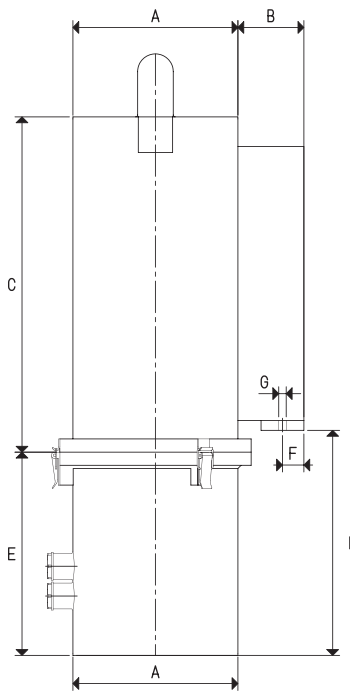
They are currently available for capacities of 200 and 300 cum/h.

Technical features

Working pressure: from 0.5 to 2000 mbar abs.

Fluid temperature: from -20 to +90 °C

Filtering degree: $\leq 1 \mu$



3D drawings available at www.vuototecnica.net

Art.	d	A	B	C	D	E	F	G	H	I	L	Max capacity	Spare seal	Weight
	∅	∅			∅			∅				cum/h	art.	Kg
FO 160	G1" 1/2	250	100	508	290	308	32.5	12	910	356	140	200	00 FO 30	27
FO 300	G2"	350	80	508	390	308	32.5	12	920	356	200	300	00 FO 29	40

Note: The filtering cartridges are washable and, therefore, are not to be replaced.

FS SYPHON SUCTION FILTRES



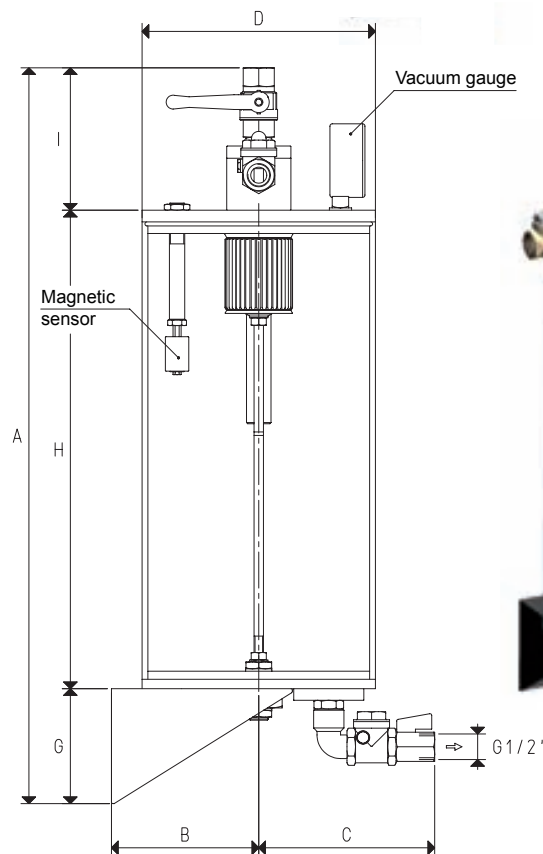
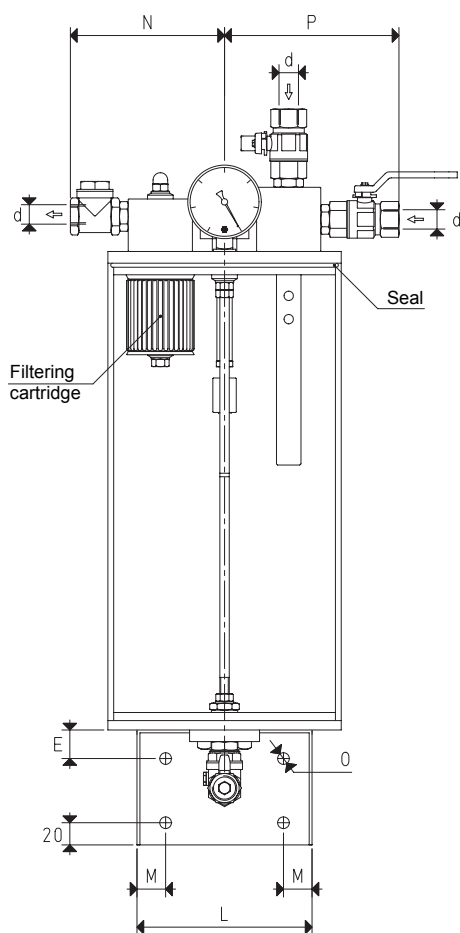
- These filters retain impurities and liquids extracted through vacuum cups or vacuum clamping systems, preventing them from entering into the vacuum pumps. They are composed of:
- A transparent plexiglas cylindrical container with an extractable lid to allow inspection and cleaning.
 - A check valve located on the suction inlet for preventing the air from returning in the filtre when the pump is idle.
 - A stainless steel mesh filtering cartridge with a filtering degree equal to 44μ , also located on the suction inlet to retain dust and solid impurities.
 - A 2-way manual valve for service vacuum interception.
 - A radial vacuum gauge the direct reading of the vacuum level.
 - A magnetic level switch that stops the pump when the sucked liquid exceeds the safety level.
 - A rigid pipe connected to the service to convey the air flow and the sucked liquid to the bottom of the container.
 - A check valve at the bottom of the filtre to automatically drain the sucked liquid and impurities every time the atmospheric pressure is restored inside the filtre.
 - A cock applied on the aforementioned check valve for manual liquid drainage.
 - A sturdy metal bracket for fixing the filtre to the wall.

Technical features

Working pressure: from 0.5 to 2000 mbar abs.

Fluid temperature: from -5 to $+50$ °C

Filtering degree: 44μ



Art.	d	A	B	C	D	E	G	H	I	L	M	N	O	P	Max capacity	Capacity	Spare cartridge art.	Spare vacuum gauge art.	Spare seal art.	Weight
	\emptyset				\emptyset								\emptyset		cum/h	l				Kg
FS 5	G3/8"	461	130	175	200	25	100	250	111	150	25	140	10	136	10	6.0	00 FB 13	09 05 10	00 FS 52	5.5
FS 10	G3/8"	551	130	175	200	25	100	340	111	150	25	140	10	136	10	8.5	00 FB 13	09 05 10	00 FS 52	6.0
FS 20	G1/2"	630	130	175	200	25	100	410	120	150	25	140	10	145	20	10.5	00 FB 22	09 05 10	00 FS 52	6.8
FS 25	G3/4"	750	150	195	240	25	100	510	140	170	30	170	11	180	40	19.5	00 FB 22	09 05 10	00 FS 36	9.1
FS 30	G1"	890	190	225	300	30	120	610	160	200	40	205	11	220	70	38.0	00 FB 34	09 05 10	00 FS 41	19.2
FS 50	G2"	960	190	225	300	30	120	610	240	200	40	250	11	276	150	38.0	00 FB 45	09 05 10	00 FS 41	22.7

Conversion ratio: inch = $\frac{\text{mm}}{25.4}$; pounds = $\frac{\text{g}}{453.6} = \frac{\text{Kg}}{0.4536}$

GAS-NPT thread adapters available at page 1.117

SYPHON FILTRE SYSTEM WITH AUTOMATIC BY-PASS FS 50 BP

This system is composed of two syphon filters. It starts working with suction through filtre 1 while filtre 2 is excluded. When the sucked liquid reaches the level switch floater via the 1" 1/2 3-way vacuum interception solenoid valves, the suction is automatically commuted to filtre 2.

The inlet of atmospheric air in filtre 1, via the 1/2" 3-way solenoid valve installed on its lid allows automatically draining the liquid through the check valve with cock located at the bottom of the filtre. Once the liquid has been drained after a set time (this operation can be timed), the solenoid valve returns to its initial position, thus allowing the recreation of vacuum inside the filtre, through a small flexible pipe connected to the main vacuum piping.

Thanks to this solution, there is no reduction of the vacuum level at the service when the suction exchange between the two filters occurs. This exchange occurs when the liquid reaches the level switch floater in filtre 2 and from that moment on, the operations described above will be repeated.

The filtre system is composed of:

- 2 plexiglas syphon filters with aluminium lids and with accessories, with a capacity of 38 litres each.
- 2 1" 1/2 gas servo-controlled 3-way vacuum solenoid valves art. 07 06 11.
- 2 1/2" gas servo-controlled 3-way solenoid valves art. 07 03 11.
- 4 1" 1/2 gas 2-way manual valves for vacuum interception art. 13 07 10.
- 2 1/2" gas 2-way manual valves for the inlet of atmospheric air art. 13 03 10.
- 1 switchgear enclosed in a watertight metal casing for Volt 230/ 50 Hz single-phase electric voltage.
- 1 frame in varnished steel profiles for the assembly of all the components described above.

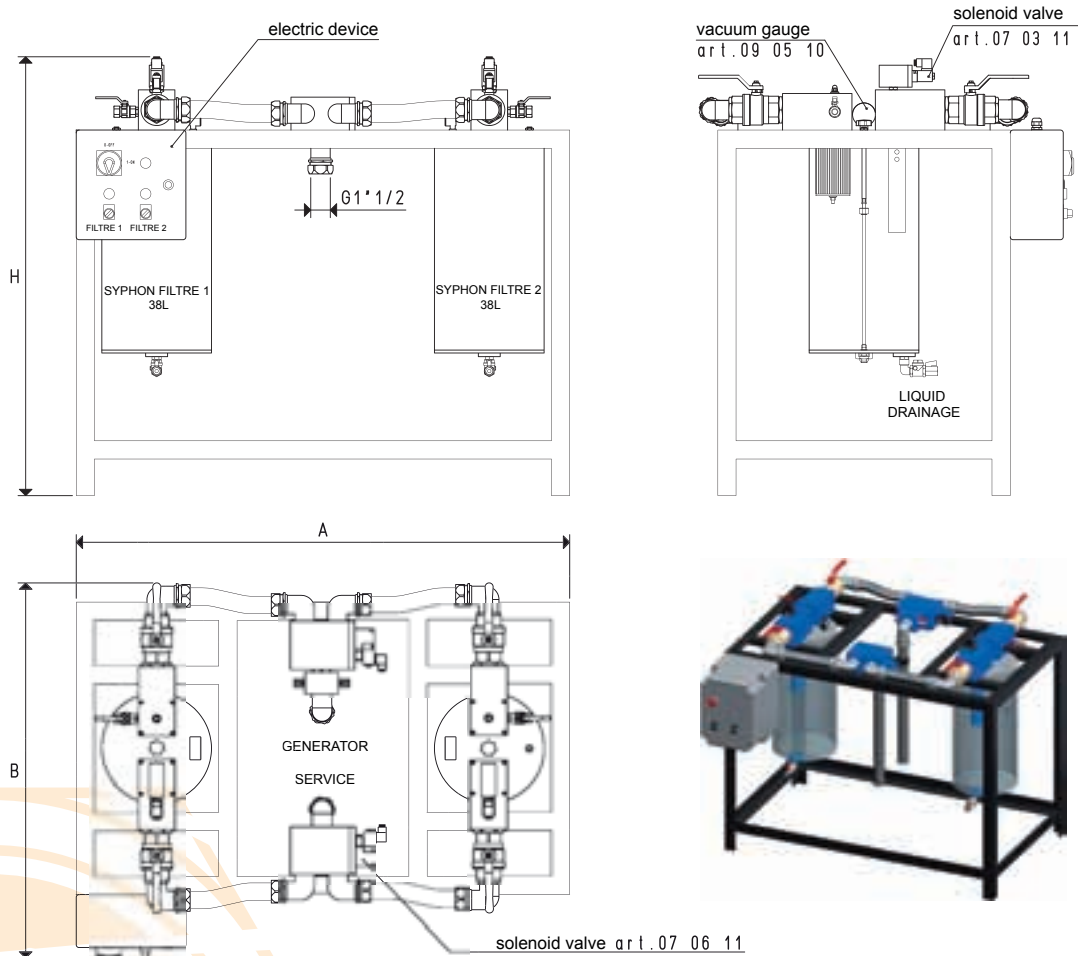
The syphon filtre system with automatic by-pass is recommended when there is a considerable presence of liquid in the sucked fluid and the machines cannot be stopped for draining the sucked liquid with traditional syphon filters.

Technical features

Working pressure: from 0.5 to 2000 mbar abs.

Fluid temperature: from -5 to +50 °C

Filtering degree: 44 µ



3D drawings available at www.vuototecnica.net

Art.	A	B	G	H	Max capacity	Capacity	Spare Cartridge art.	Spare vacuum gauge art.	Spare seal art.
FS 50 BP	1350	1000	G1" 1/2	1180	200 cum/h	38 x 2 l	00 FB 45	09 05 10	00 FS 41

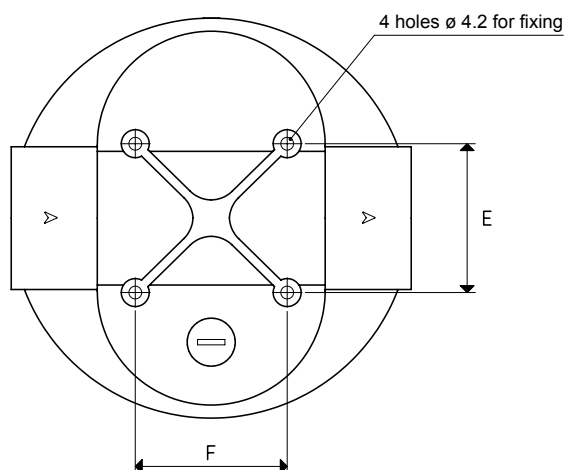
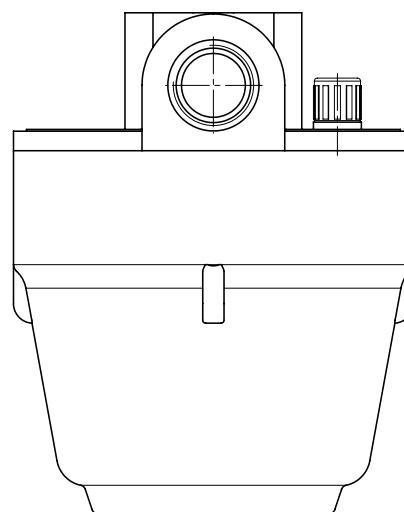
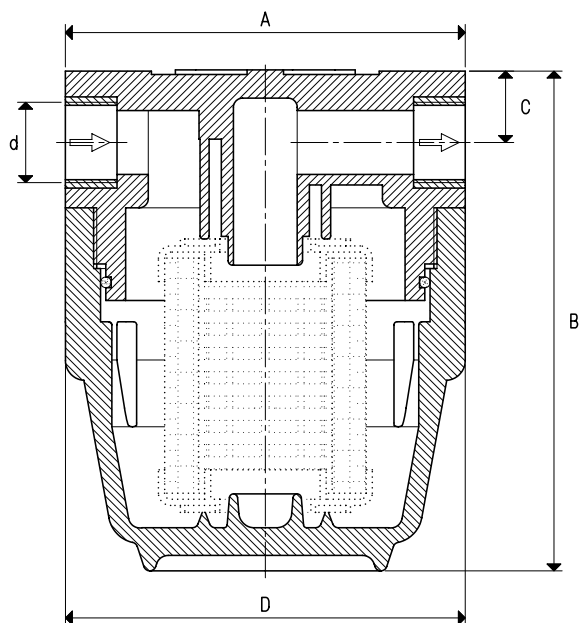
FP SERIES FILTERING CARTRIDGE CONTAINERS WITH COMPRESSION SEALING

The containers of the FP series are suited for the filtering cartridges with compression sealing and are composed of a transparent plastic container and a blue plastic head screwed together with an interposed seal. The number after the article indicates the length in inches of the filtering cartridge.

The cartridge can be chosen in various materials: pleated paper, pleated polypropylene mesh and stainless steel mesh AISI 304. In the following page are described the filtering cartridges with compression sealing, with all the indications regarding dimensions, materials and filtering degree of each one of them.

Technical features

Working pressure: from 0.5 to 9000 mbar abs.
Temperature of the sucked fluid: from -10 to 45 °C



Art.	d Ø	A	B	C	D Ø	E	F	Max capacity cum/h	Cartridge length	Cartridge art.	Weight Kg
FP 25/4	G3/4"	130	163	21	130	49	50	70	4"	SP/4 - SS/4 - SA/4	0.84
FP 30/4	G1"	143	169	24	130	50	51	100	4"	SP/4 - SS/4 - SA/4	0.91
NP	Key for clamping the container										

Note: The filtering cartridge is not part of the filtre, therefore, it must be ordered separately.

Conversion ratio: inch = $\frac{\text{mm}}{25.4}$; pounds = $\frac{\text{g}}{453.6} = \frac{\text{Kg}}{0.4536}$

GAS-NPT thread adapters available at page 1.117

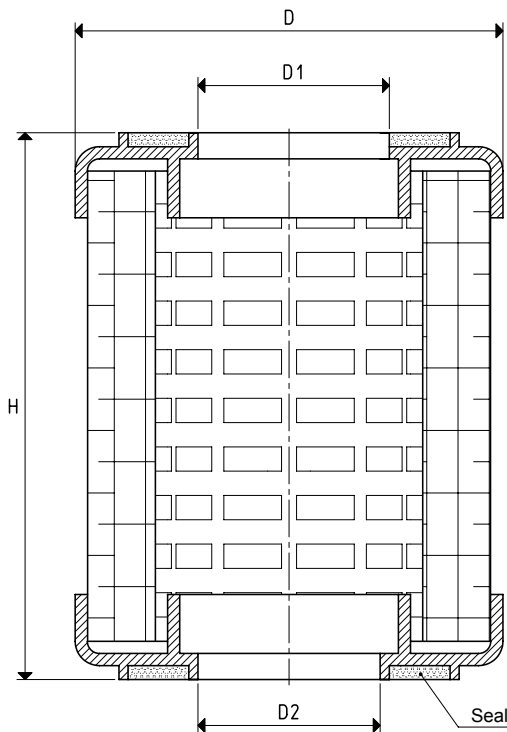
FILTERING CARTRIDGES WITH COMPRESSION SEALING

The filtering cartridges described in this page, once installed on their container, are able to retain the impurities and dust contained in the sucked fluid, interfering with the vacuum pump or generator capacity in a negligible manner.

They are produced with different materials that can be identified with the following abbreviations:

- Series SP. Pleated paper filtering cartridge with compression sealing.
- Series SS. Pleated polypropylene mesh filtering cartridge with compression sealing.
- Series SA. AISI 304 stainless steel mesh filtering cartridge with compression sealing.

The number after the article indicates the length in inches of the filtering cartridge.



3D drawings available at www.vuototecnica.net

Art.	D	D1	D2	H	Length	Container art.	Filtering degree micron
SP/4	70	30	30	98	4"	FP 25/4 - FP 30/4	25
SS/4	70	30	30	98	4"	FP 25/4 - FP 30/4	50
SA/4	70	30	30	98	4"	FP 25/4 - FP 30/4	50

FM SERIES QUICK COUPLING FILTERING CARTRIDGE CONTAINERS

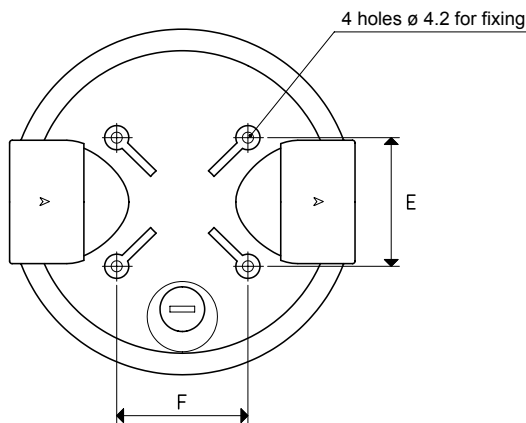
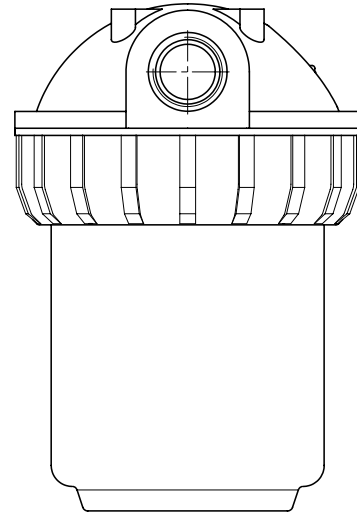
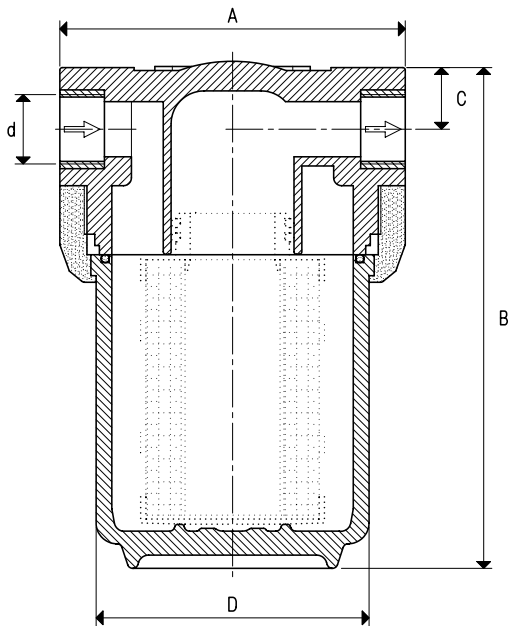
The containers of the FM series are suited for quick coupling filtering cartridges and are composed of a transparent SAN (Styrene-acrylic nitrile) container and a head with a reinforced polypropylene ring nut, coupled together with an interposed seal.

The number after the article indicates the length in inches of the filtering cartridge.

The cartridge can be chosen in various materials: pleated paper, pleated polypropylene mesh and AISI 304 stainless steel mesh. The quick coupling filtering cartridges are described at page 5.27, with all the indications regarding dimensions, materials and filtering degree of each one of them.

Technical features

Working pressure: from 0.5 to 9000 mbar abs.
Temperature of the sucked fluid: from -10 to 45 °C



Art.	d Ø	A	B	C	D Ø	E	F	Max capacity cum/h	Cartridge length	Cartridge art.	Weight Kg
FM 20/7	G1/2"	133	241	18	100	48	49	30	7"	RP/7 - RS/7 - RA/7	0.75
FM 25/7	G3/4"	133	241	21	100	49	50	70	7"	RP/7 - RS/7 - RA/7	0.87
FM 30/7	G1"	145	247	24	100	50	51	100	7"	RP/7 - RS/7 - RA/7	0.99
FM 25/10	G3/4"	133	315	21	100	49	50	70	10"	RP/10 - RS/10 - RA/10	1.05
FM 30/10	G1"	145	321	24	100	50	51	100	10"	RP/10 - RS/10 - RA/10	1.17
NF	Key for tightening the ring nut										

Note: The filtering cartridge is not part of the filter, therefore, it must be ordered separately.

Conversion ratio: inch = $\frac{\text{mm}}{25.4}$; pounds = $\frac{\text{g}}{453.6} = \frac{\text{Kg}}{0.4536}$

GAS-NPT thread adapters available at page 1.117

FK SERIES QUICK COUPLING FILTERING CARTRIDGE CONTAINERS

The containers of the FK series are suited for quick coupling filtering cartridges and are composed of a transparent PET (Polyethylene terephthalate) container and a head with a brass ring nut coupled together with an interposed seal.

The number after the article indicates the length in inches of the filtering cartridge.

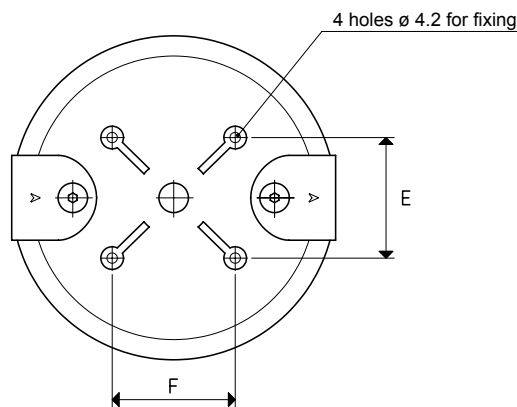
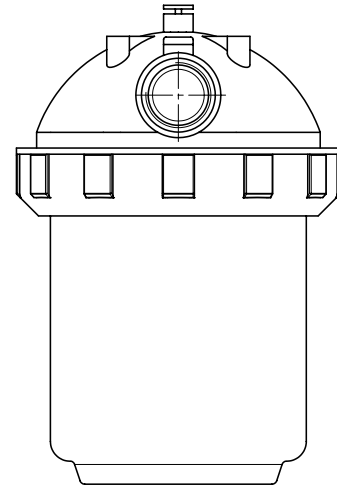
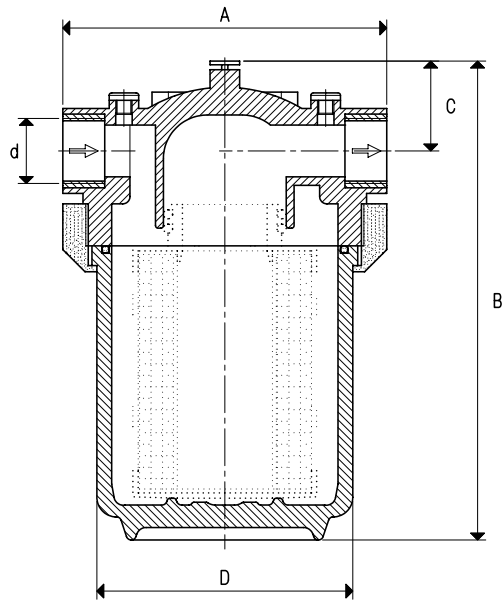
The cartridge can be chosen in various materials:

pleated paper, pleated polypropylene mesh and AISI 304 stainless steel mesh. The quick coupling filtering cartridges are described at page 5.27, with all the indications regarding dimensions, materials and filtering degree of each one of them.

Technical features

Working pressure: from 0.5 to 9000 mbar abs.

Temperature of the sucked fluid: from -10 to 45 °C



3D drawings available at www.vuototecnica.net

Art.	d Ø	A	B	C	D Ø	E	F	Max capacity cum/h	Cartridge length	Cartridge art.	Weight Kg
FK 25/7	G3/4"	125	226	24	100	49	50	70	7"	RP/7 - RS/7 - RA/7	1.64
FK 30/7	G1"	130	232	27	100	50	51	100	7"	RP/7 - RS/7 - RA/7	1.88
FK 25/10	G3/4"	125	300	24	100	49	50	70	10"	RP/10 - RS/10 - RA/10	2.12
FK 30/10	G1"	130	306	27	100	50	51	100	10"	RP/10 - RS/10 - RA/10	2.35
FK 50/10	G1" 1/2	140	319	30	100	51	52	200	10"	RP/10 - RS/10 - RA/10	2.58
FK 60/10	G2"	140	336	33	100	52	53	300	10"	RP/10 - RS/10 - RA/10	2.69
FK 30/20	G1"	130	564	27	100	50	51	100	20"	RP/20 - RS/20 - RA/20	2.97
FK 50/20	G1" 1/2	140	576	30	100	51	52	200	20"	RP/20 - RS/20 - RA/20	3.20
FK 60/20	G2"	140	593	33	100	52	53	300	20"	RP/20 - RS/20 - RA/20	3.31
NK	Key for tightening the ring nut										

Note: The filtering cartridge is not part of the filter, therefore, it must be ordered separately.

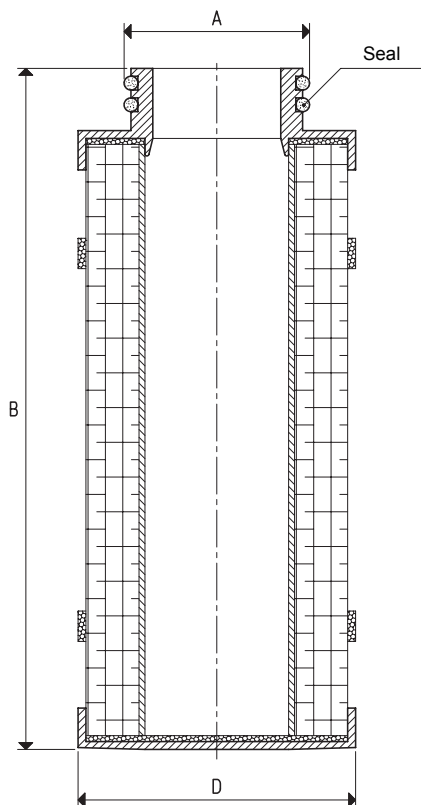
QUICK COUPLING FILTERING CARTRIDGES

The filtering cartridges described in this page, once installed on their container, are able to retain the impurities and dust contained in the sucked fluid, interfering with the vacuum pump or generator capacity in a negligible manner.

They are produced with different materials that can be identified with the following abbreviations:

- Series RP. Pleated paper quick coupling filtering cartridge with double O-ring.
- Series RS. Pleated polypropylene mesh quick coupling filtering cartridge with double O-ring.
- Series RA. AISI 304 stainless steel mesh quick coupling filtering cartridge with double O-ring.

The number after the article indicates the length in inches of the filtering cartridge.



Art.	A Ø	B	D Ø	Length	Container art.	Filtering degree micron
RP/7	45	173	70	7"	FM../7 - FK../7	25
RP/10	45	250	70	10"	FM../10 - FK../10	25
RP/10/57	57	250	70	10"	FK50/10 - FK60/10	25
RP/20	45	505	70	20"	FM../20 - FK../20	25
RP/20/57	57	505	70	20"	FK50/20 - FK60/20	25
RS/7	45	173	70	7"	FM../7 - FK../7	50
RS/10	45	250	70	10"	FM../10 - FK../10	50
RS/10/57	57	250	70	10"	FK50/10 - FK60/10	50
RS/20	45	505	70	20"	FM../20 - FK../20	50
RS/20/57	57	505	70	20"	FK50/20 - FK60/20	50
RA/7	45	173	70	7"	FM../7 - FK../7	50
RA/10	45	250	70	10"	FM../10 - FK../10	50
RA/10/57	57	250	70	10"	FK50/10 - FK60/10	50
RA/20	45	505	70	20"	FM../20 - FK../20	50
RA/20/57	57	505	70	20"	FK50/20 - FK60/20	50

Conversion ratio: inch = $\frac{\text{mm}}{25.4}$; pounds = $\frac{\text{g}}{453.6} = \frac{\text{Kg}}{0.4536}$