

Menu-controlled electronic pressure switches

with display



- Menu-controlled, simple programming of switching functions
- 2 switching outputs and 1 analogue output
- Numerous programming functions, such as
 - switching time delay
 - zero point reset
 - peak value memory
 - switching point counter
- Current pressure value and switching states shown on 3-digit display
- Very high switching currents up to 1.4 A

Menu-controlled electronic pressure switches

Technical details

E.4
menu-controlled



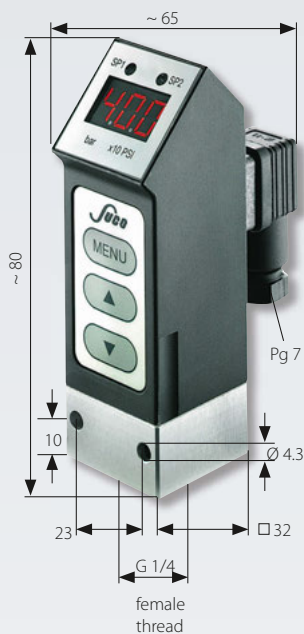
		0570 Electronic pressure switches
Switching function:		NC/NO, programmable, 2 switching points, switching time delay, zero point reset, peak value memory (within adjustment range), switching point counter
Settings:		Programmable using keypad on front
Outputs:		2 transistor outputs (each 1.4 A DC12 / PNP) 1 analogue output (4 – 20 mA)
Supply voltage U_B :		12 - 30 VDC
Switching status display:		2 LEDs (yellow)
Pressure display:		Current pressure displayable in bar or PSI on 3-digit LED (red)
Life expectancy:		5,000,000 switching cycles at rise rates to 1,000 bar/s at p_{nom}
Pressure rise rate:		$\leq 1,000$ bar/s
Switching time:		< 4 ms
Switching time delay:		Adjustable between 0 and 3.0 s
Hysteresis:		1 – 99 % FS, programmable from keypad
Accuracy:		± 0.5 % (FS at room temperature)
Display accuracy:		± 0.5 % (FS at room temperature) ± 2 digits
Temperature drift:		± 0.2 % / 10 °C
Temperature range:		NBR, FKM -20 °C ... +80 °C
Compensated temperature range:		0 °C ... +70 °C (32 °F ... 158 °F), total error ± 2 %
Housing material:		die-casted zinc
Wetted parts material	Housing:	anodised aluminium
	Measuring cell:	Ceramic
	Seal material:	NBR or FKM
Vibration resistance:		10 g at 5 ... 2000 Hz sine wave; DIN EN 60068-2-6
Shock resistance:		294 m/s ² ; 11 ms half sine wave; DIN EN 60068-2-27
Protection class:		IP65
Electromagnetic compatibility:		acc. to EN 50081-1, EN 50081-2, EN 50082-2
Weight:		approx. 340 g
Access PIN:		The switch can be protected with a pin between 1 and 999



0570

Electronic pressure switch

- Anodised aluminium and die-casted zinc
- Ceramic measuring cell in thick-film technology
- Supply voltage 12 ... 30 VDC
- Overpressure protection to 20 / 150 / 500 bar¹⁾
- Programmable using keypad on front
- Switching time delay (setting from 0 to 3 s)
- Peak value memory (within the measurement range)
- Pin protection possible to prevent misuse
- Socket device included



p max. in bar	Burst pressure in bar	Adjustment range in bar	Thread	Article number:
---------------	-----------------------	-------------------------	--------	-----------------

0570 Electronic pressure switches

20 ¹⁾	25	0 - 10	G 1/4 female thread	0570 - 467 14 - X - 001
150 ¹⁾	175	0 - 100		0570 - 468 14 - X - 001
500 ¹⁾	650	0 - 400		0570 - 469 14 - X - 001

Seal material – Application areas

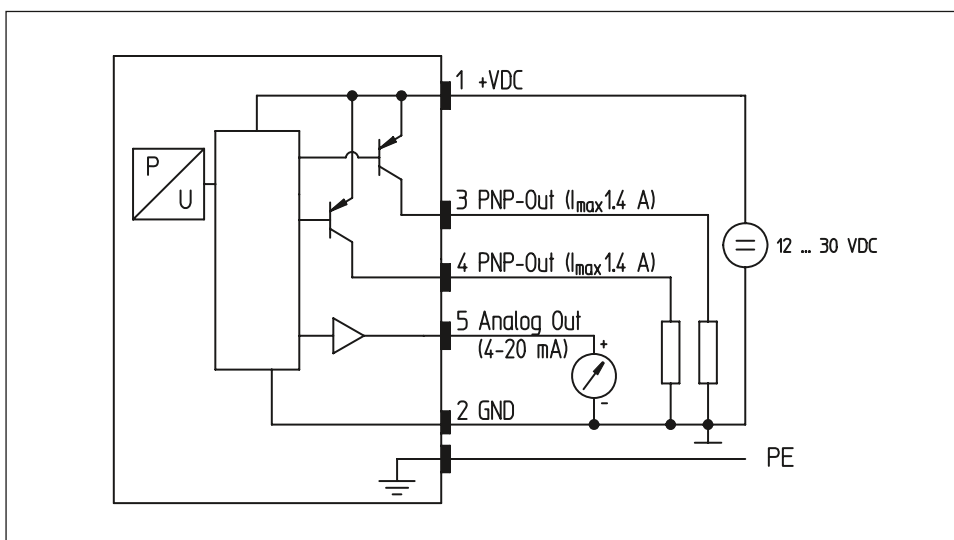
NBR	Hydraulic/machine oil, air, nitrogen, etc.	1
FKM	Hydraulic fluids (HFA, HFB, HFD), petrol/gasoline, etc.	3

Refer to page 119 for the temperature range and application thresholds of sealing materials



Article number **0570 - 46X 14 - X - 001**

Wiring chart



¹⁾ Static pressure, dynamic pressure 30 to 50% lower. Values refer to the hydraulic or pneumatic part of the electronic pressure switch.