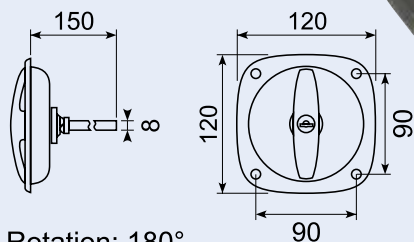


10.52425

T-greb med lås i skål. Alloy-krom i sortlakeret skål. Med 2 nøgler FS 880. Inkl. underlag.

Recess T-handle in pan, locking. Alloy-chrome, black pan with 2 keys FS880 including support.

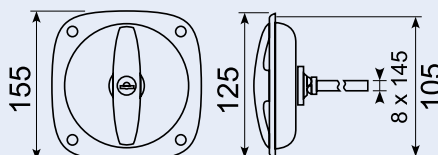


Rotation: 180°

10.535

T-greb med lås i skål. Let at montere. Alloy-krom i rustfri skål. Med 2 nøgler FS 880.

Recess T-handle in special stainless steel pan, locking. Alloy/chrome, stainless pan, with easy-fix mounting. With 2 keys FS 880.



Rotation: 180°

11.134

Ny rustfri lås i skål. Ø16 mm. 336 x 152 mm. Indbygningsdybde 28 mm.

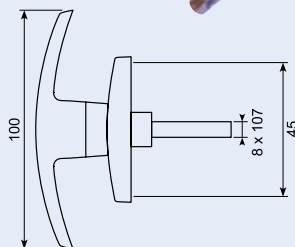
T-handle garage, chrome. Pin L=115 mm, 8x8 mm square. Different keys.



11.106J / 11.106JC

T-greb med flange og lås, stift 8 x 107 mm. Alloy-krom, med 2 nøgler. 11.106JC på vej.

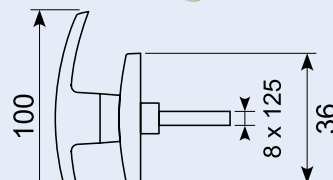
T-handle with flange and locking. Alloy-chrome, incl. two keys.



11.132

T-greb med flange og lås. Alloy-krom, inkl. 2 nøgler.

T-handle with flange and locking. Alloy-chrome, incl. 2 keys.

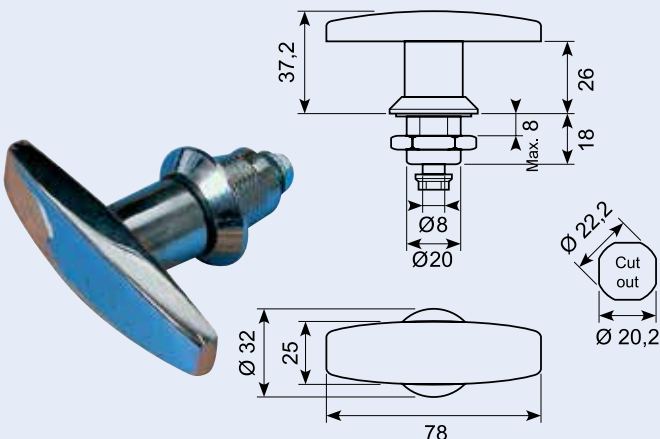


Mount: Ø 14 mm
Rotation: 180°

18.0267080

T-greb til tunge. Alloy-krom. Montagehul: Ø 22 mm. Håndtag: 78 mm.

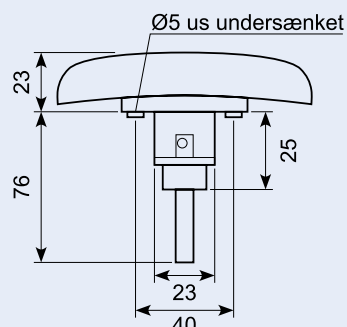
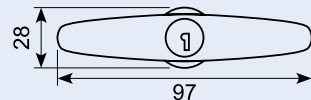
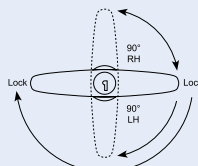
T-handle for tongue. Alloy-chrome. Mounting hole: Ø 22 mm. Handle: 78 mm.



11.233*

Sort T-vrider med flange og lås. Alloy/sortlakeret, inkl. 2 nøgler. 180° degree turn. Kan skaffes i 90° RH eller LH. Min. order 25 stk.

Black "Lowline T" with flange, locking. Alloy/black, incl. 2 keys. 180° degree turn. Also available in 90° degree turn, RH and LH. Min. order 25 stk.



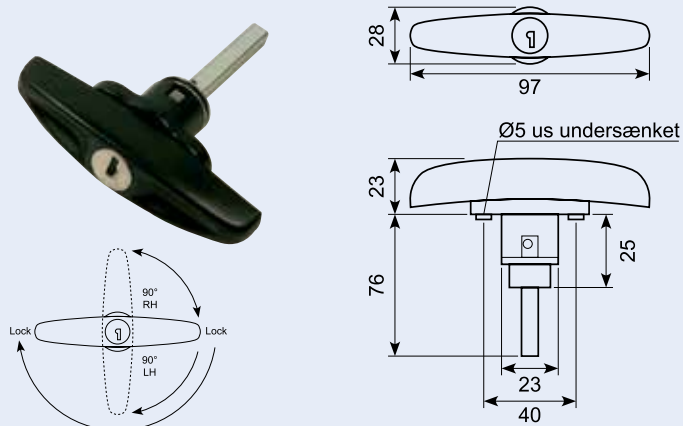
T-dørgreb / T-handles

11.233C*

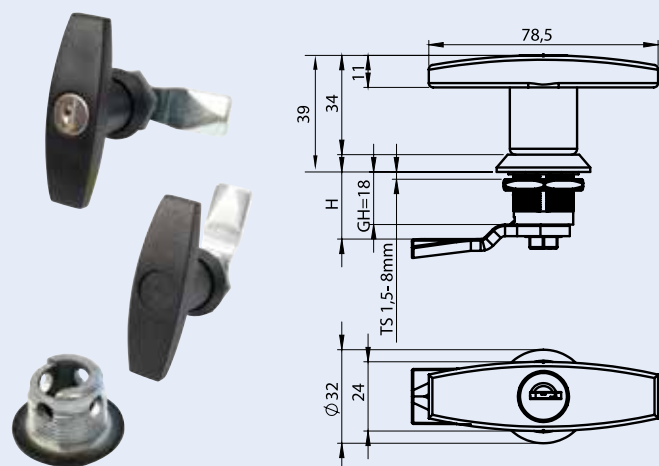
Chrome T-vrider med flange og lås. Alloy/chrome, incl. 2 nøgler. 180° degree turn. Kan skaffes i 90° RH eller LH.

Min. order 25 stk.

Chrome "Lowline T" with flange, locking. Alloy/chrome, incl. 2 keys. 180° degree turn. Also available in 90° degree turn, RH and LH. Min. order 25 stk.



T-greb / T-handle



4 huls bruges til "Left hand side".
Ekstra lang cam 55 mm. 1 punkt
Ekstra lang cam 55 mm. 3 punkt

Zink 2 huls	Chrome Plated	Black Coated
Unlocking	56.1201-200-XXX	56.1201-100-XXX
Keyed 3333	56.1201-203-XXX	56.1201-103-XXX

Zink 4 huls	Chrome Plated	Black Coated
Keyed 3333	56.1201-203-XXX-C	56.1201-103-XXX-C

You may choose the XXX part from the first table of cam pages.

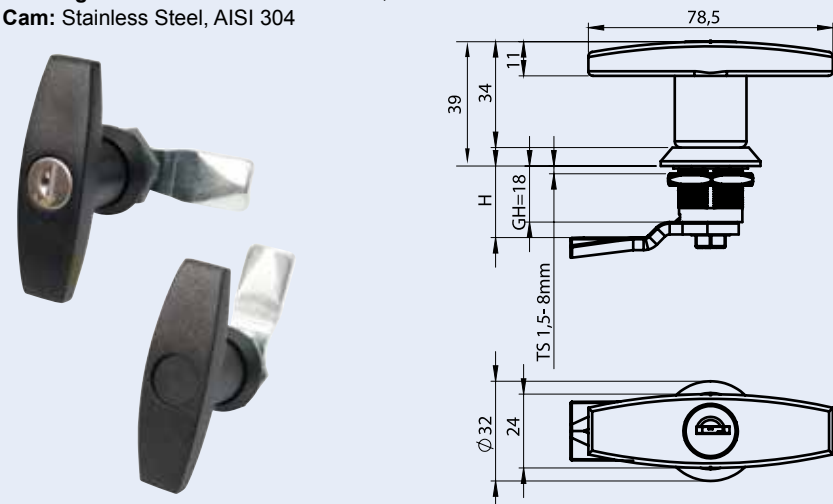
T-greb / T-handle

Rustfri 2 huls

Material

Housing and T-Handle: Stainless Steel, AISI 316

Cam: Stainless Steel, AISI 304



	Item Number
Non-Locking	56.1251-500-XXX
Keyed 3333	56.1251-503-XXX

You may choose the XXX part from the first table of cam pages.

XXX = uden tunge.

Rustfrie tunger, se side 49.

* Skaffevare / Special order item