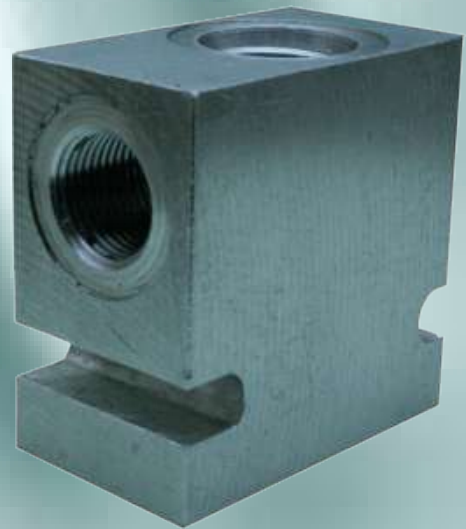
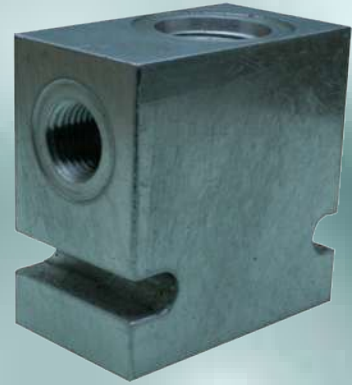


Caproni

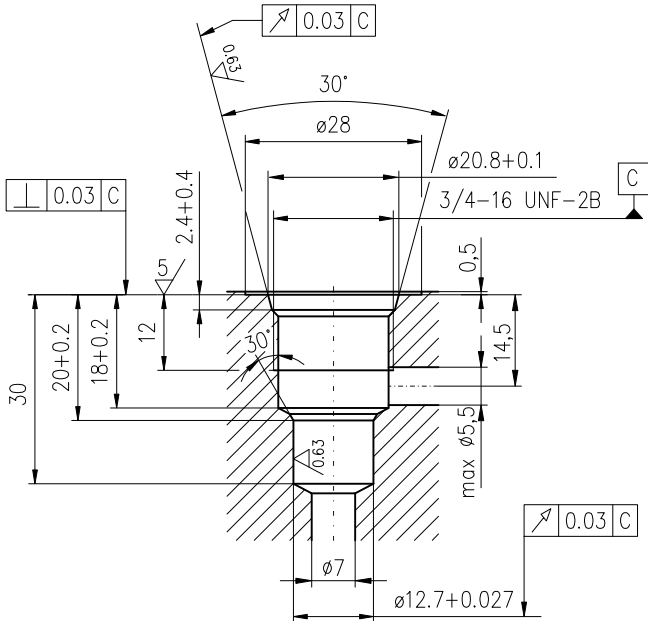


CAVITIES AND BODIES

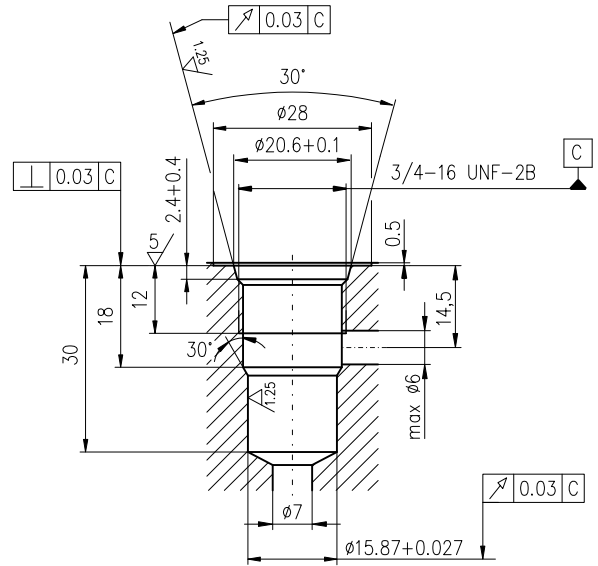
CAVITIES

This type of cavities are used for cartridge valves , including solenoid valves.

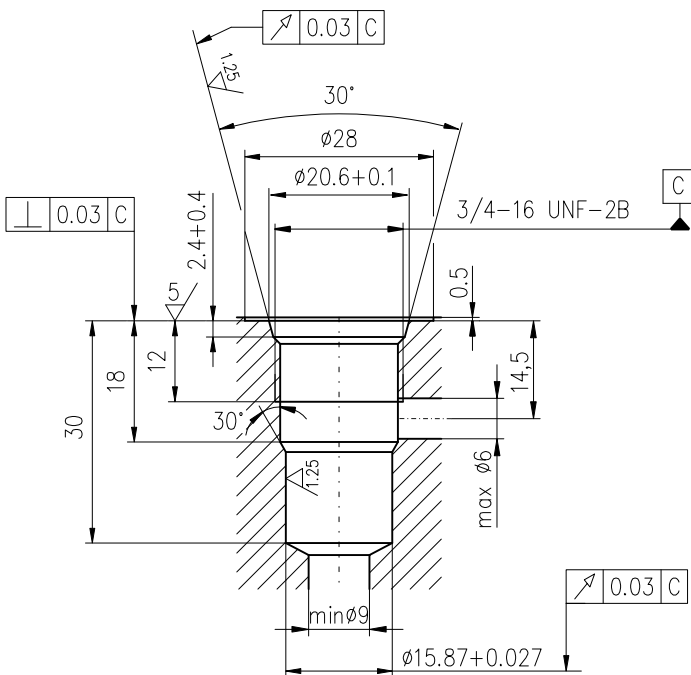
CC 06-2



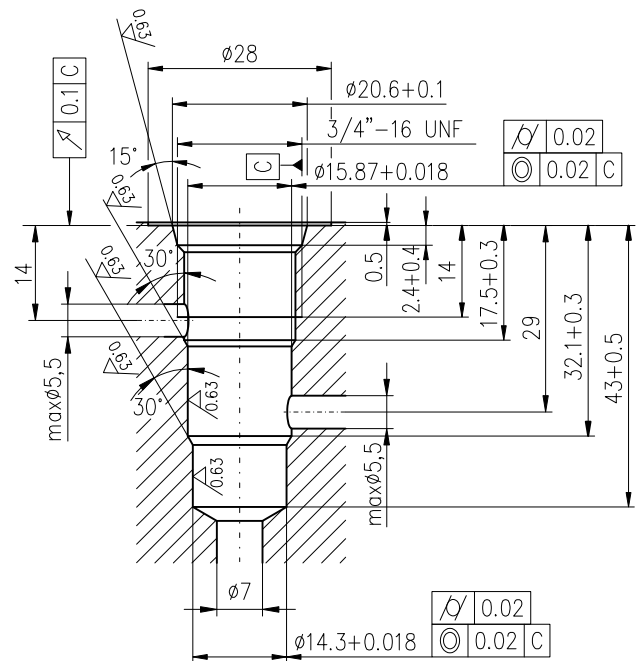
CC 08-2



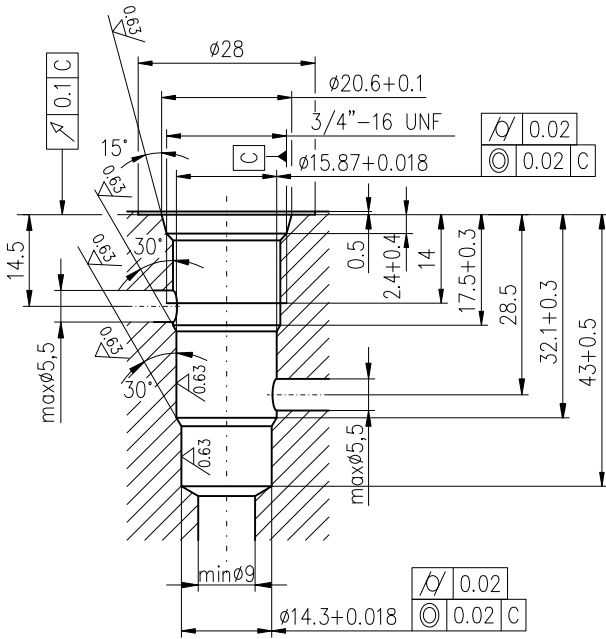
CC 08-2A



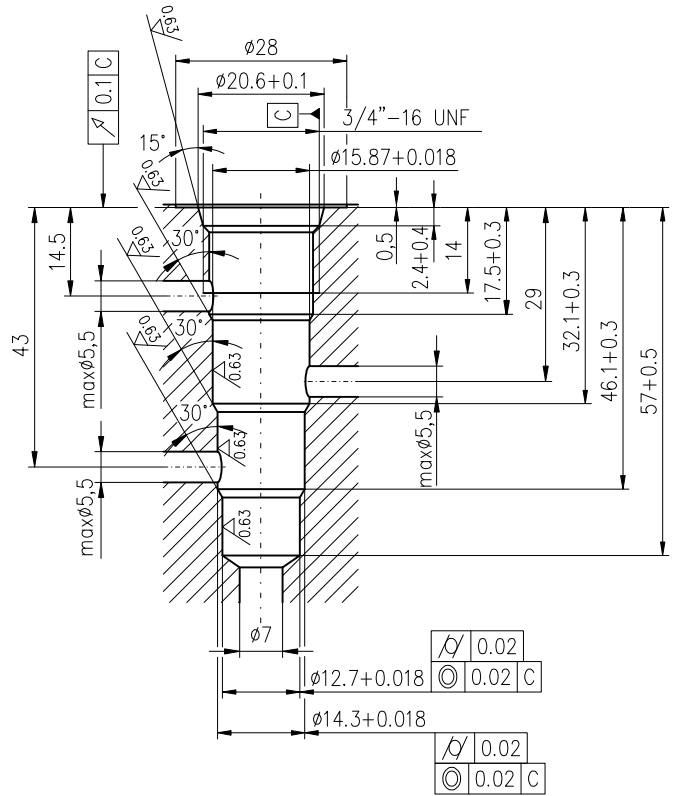
CC 08-3



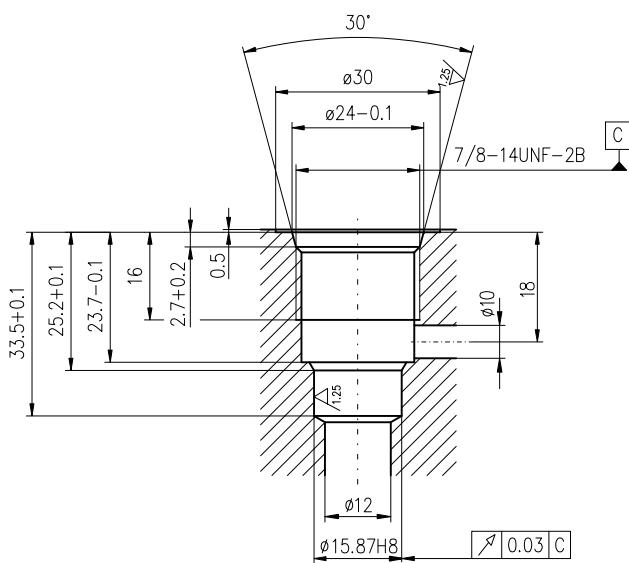
CC 08-3A



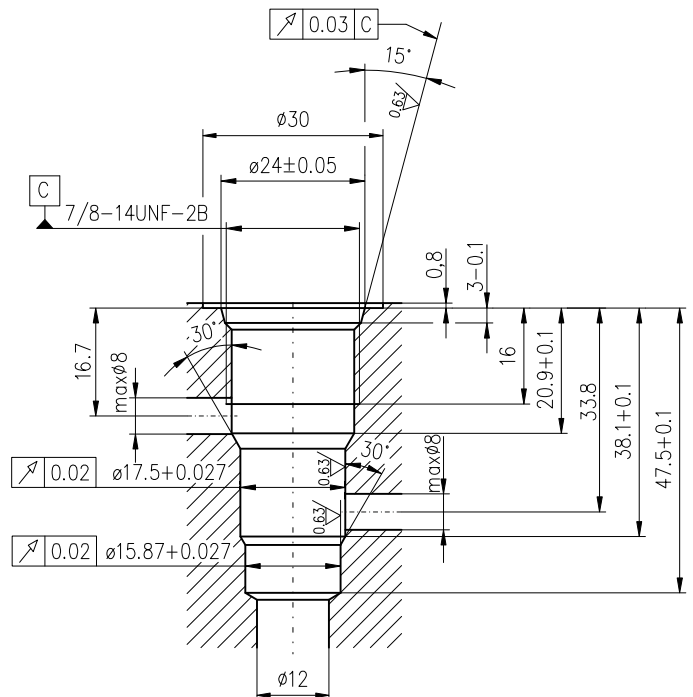
CC 08-4



CC 10-2

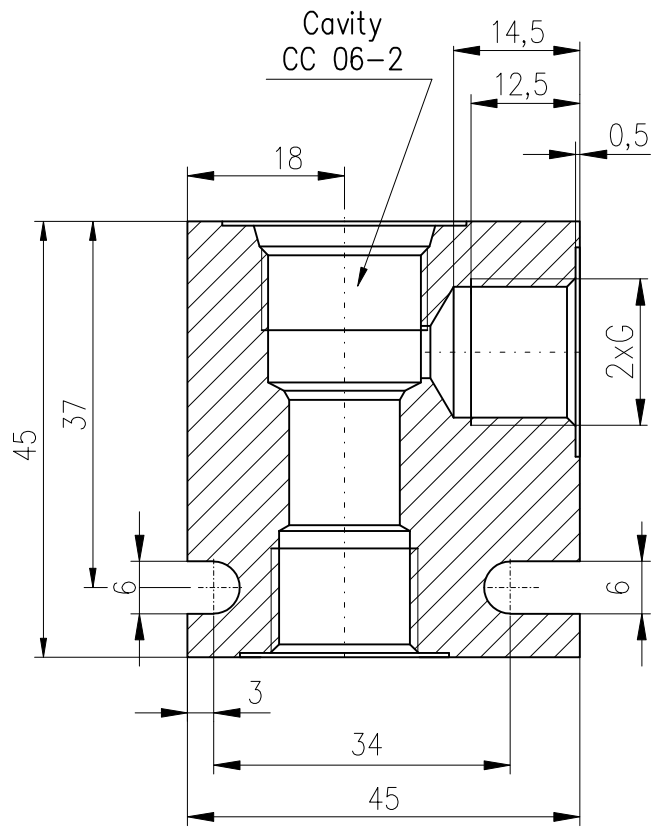
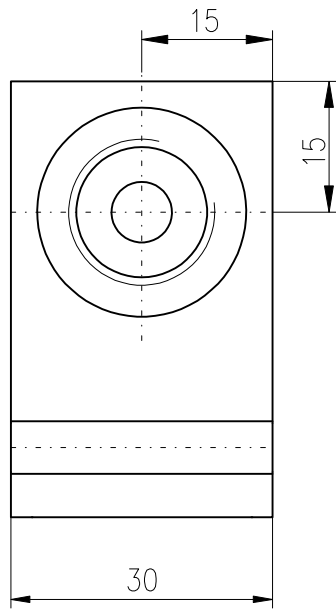


CC 10-3

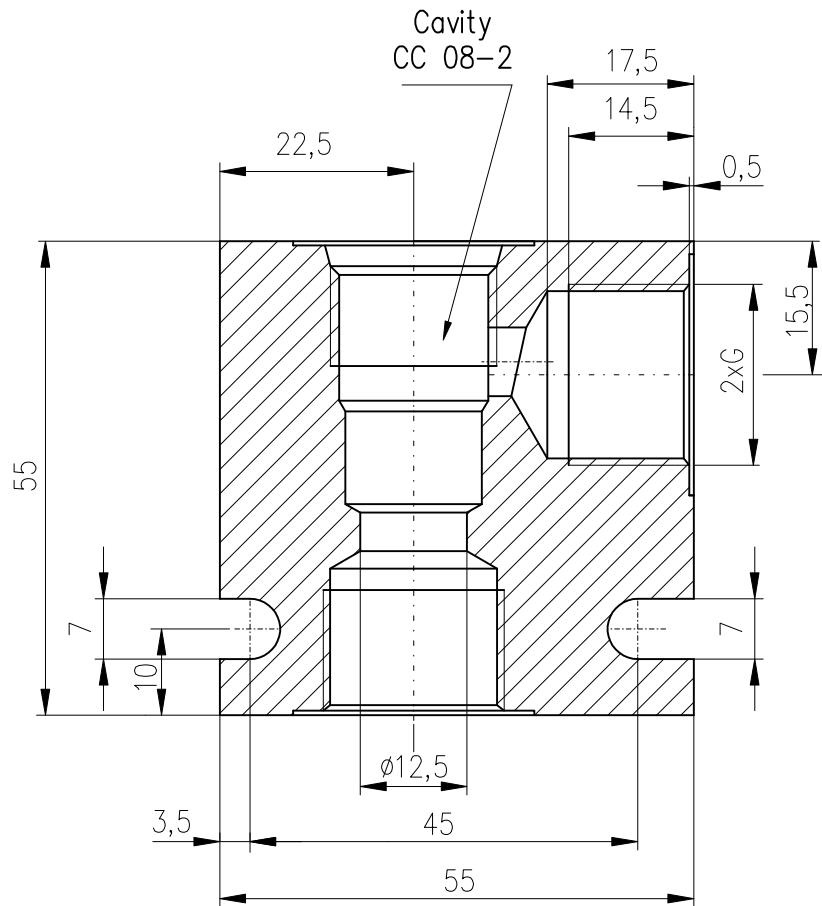
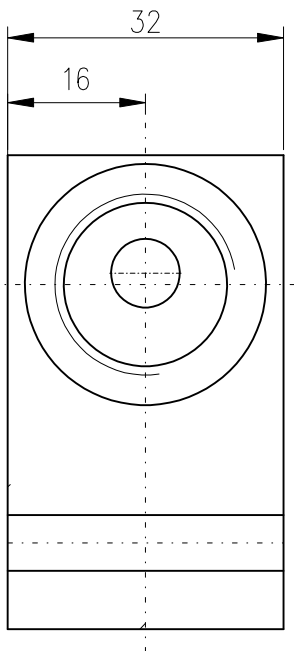


BODIES

VB-CC06-2-...-...



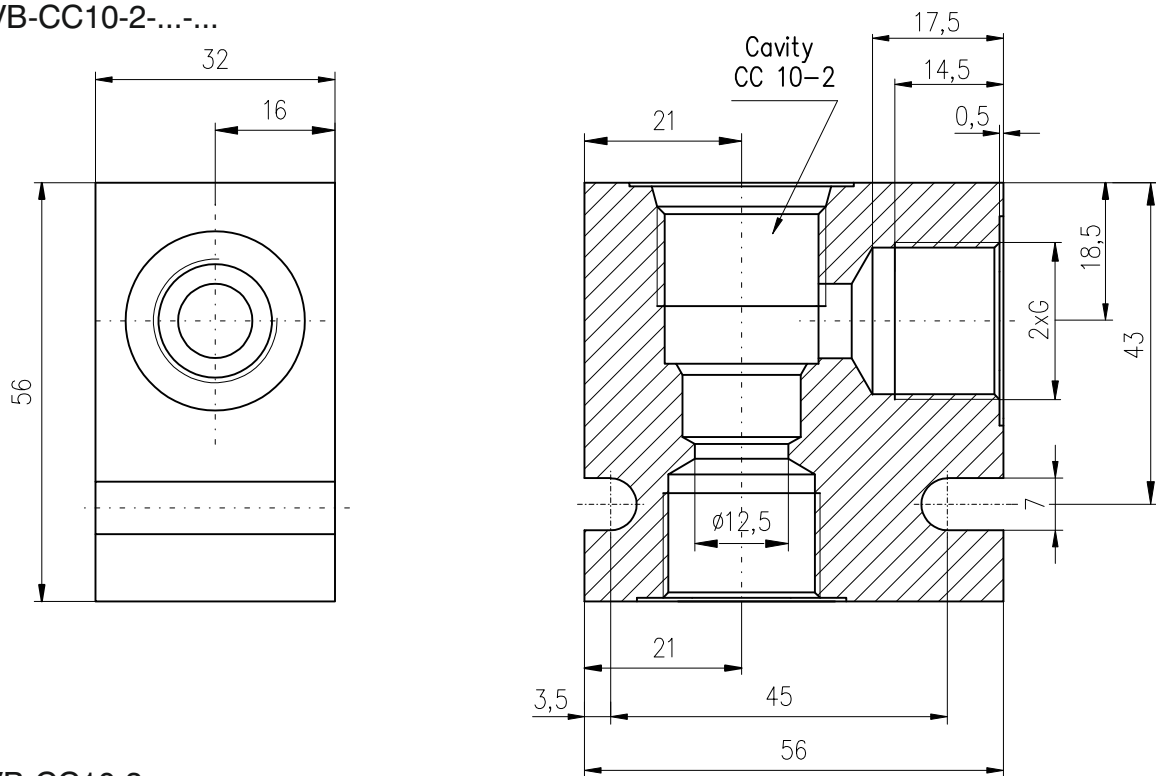
VB-CC08-2-...-...



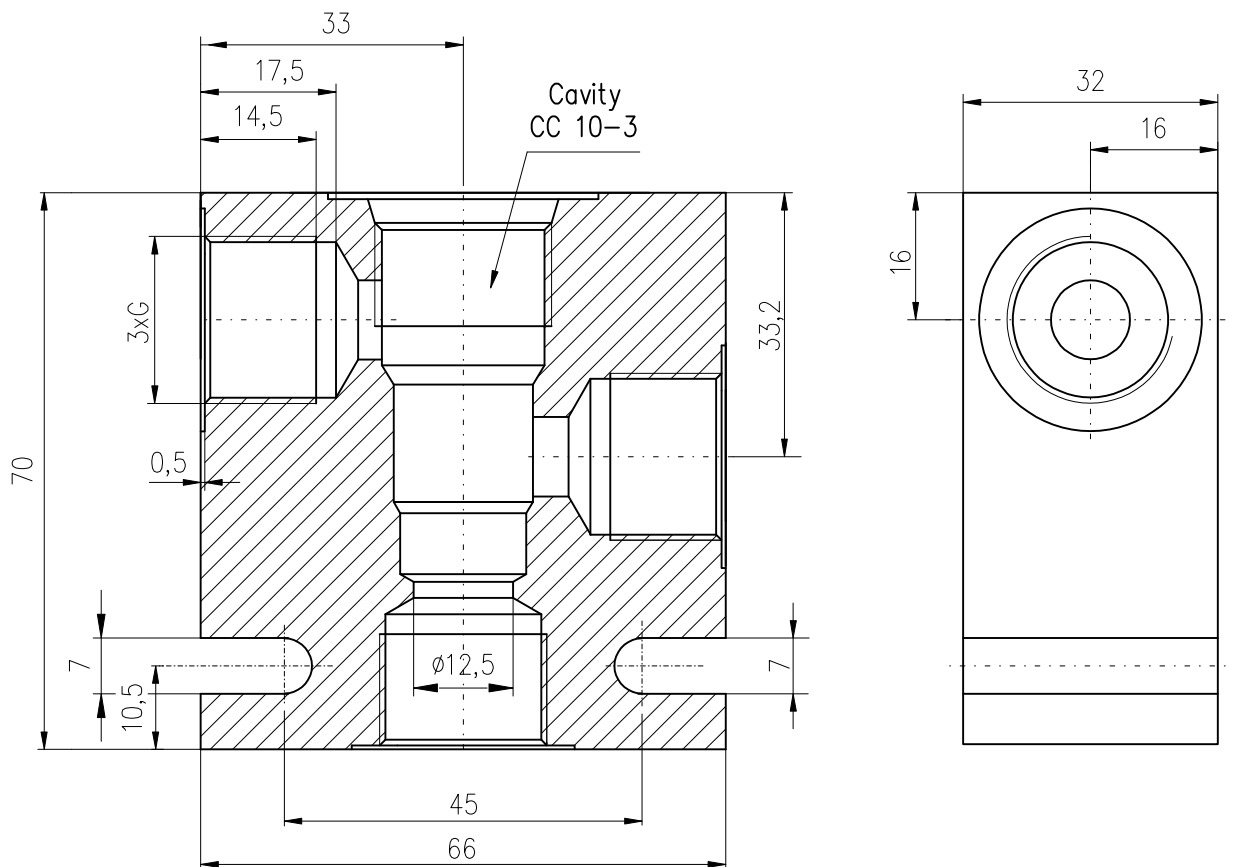
Thread G - see ordering code on page 7/7.

BODIES

VB-CC10-2-...-...

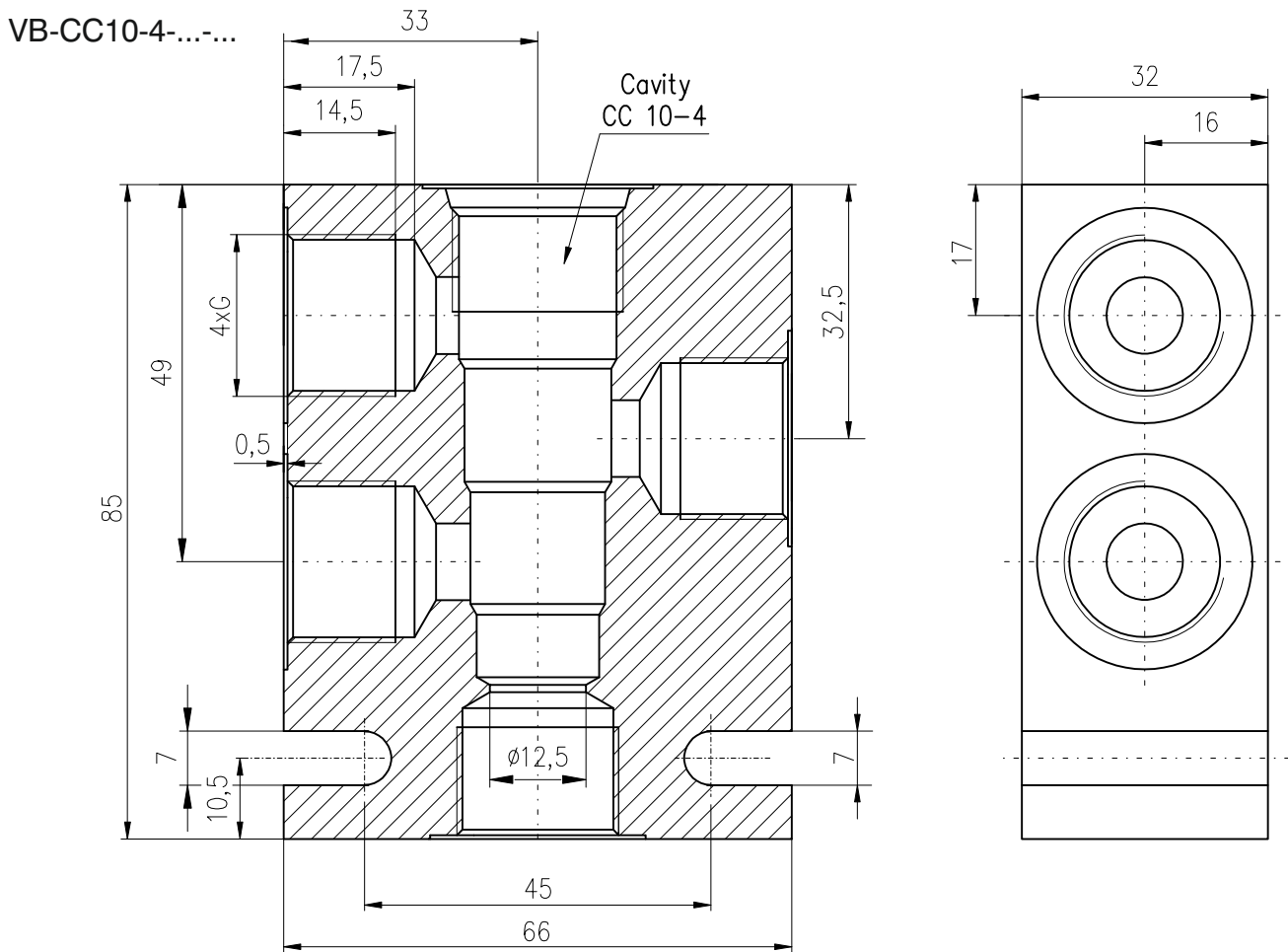


VB-CC10-3-...-...



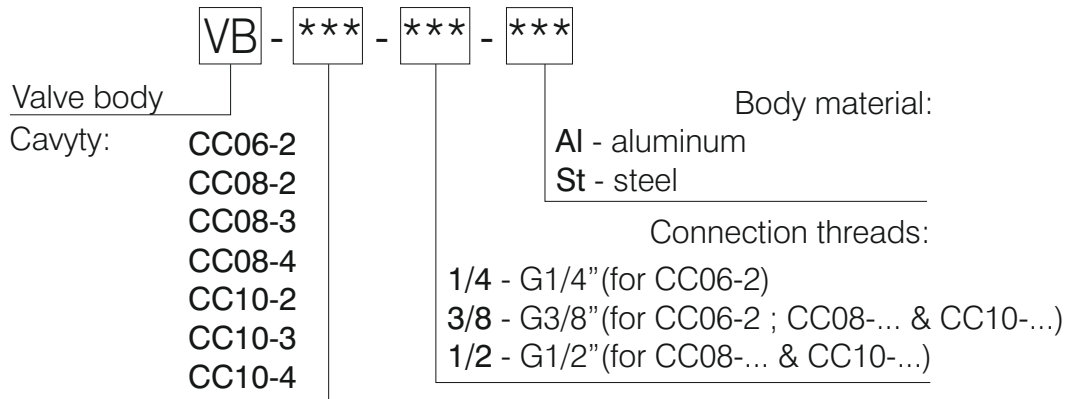
Thread G - see ordering code on page 7/7.

BODIES



Thread G - see ordering code. Different type of bodies - on request.

ORDERING CODE FOR BODIES





caproni
BULGARIA JOINT-STOCK COMPANY

**BULGARIA , 6100 KAZANLAK , 45 STOLETOV STR.
TEL.:+359/431/62 229 , +359/431/6132 ,
FAX:+359/431/62 230 , +359/431/63 134
E-MAIL:CAPRONI@CAPRONI.BG , WEB:HTTP://WWW.CAPRONI.BG**