



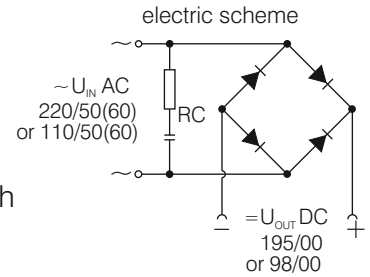
Caproni



ACCESSORIES

COILS

AC coil type dimensions are the same as DC coil type dimensions.
 The difference between AC and DC coils is in the integrated rectifier into the AC type (see electric scheme).
 AC coils can be used for 50Hz and 60Hz.
 RC filter is integrated into the base of the connector and is used only with AC coils.



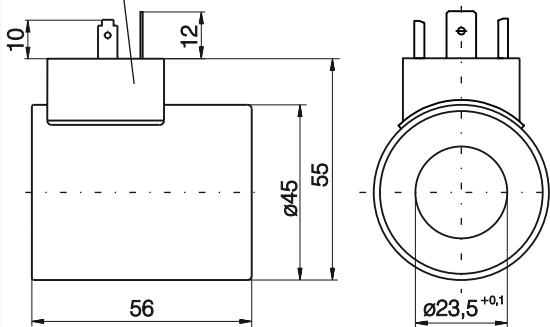
COILS FOR CETOP3 VALVES , FLOW DIVERTERS AND SOLENOID CARTRIDGES

ELM-06-F...-...

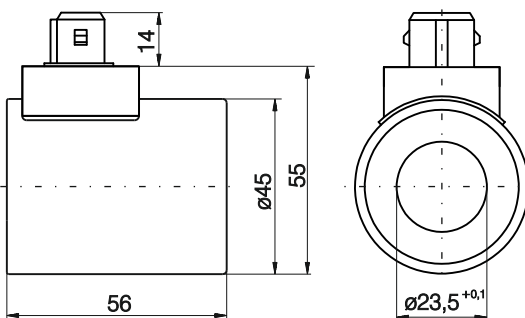
- ✓ ISO 4400/DIN 43650 connection-as standard
- ✓ AMP Junior connection-as option
- ✓ Steel housing
- ✓ Protection class - IP65 according to EN 60529
- ✓ Duty factor - ED100%
- ✓ Magnetic wire insulation class - F(155°C)-RAC coils
 - H(180°C)-DC coils



the rectifier is build-in here at AC coil type
 type of connection by ISO 4400/DIN 43650



type of connection AMP Junior (only for DC type)

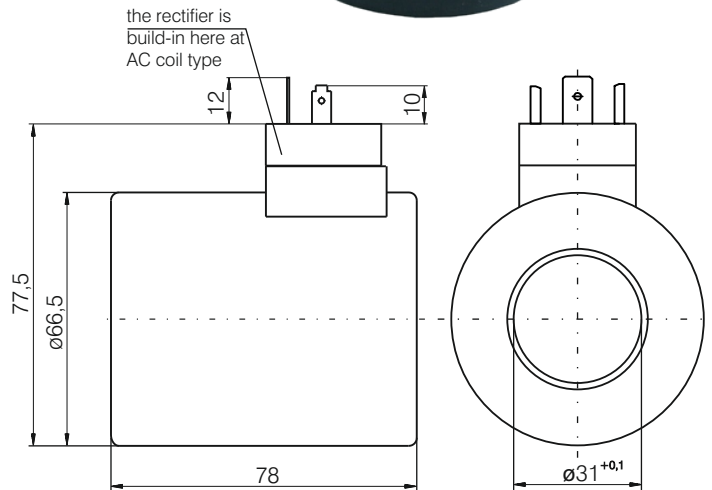


Coil type	Voltage[V]	Current [A]	Power [W]or[VA]	Ordering code
ELM-06-FM-12V DC	12DC	2,4	28,8W	12258
ELM-06-FM-24V DC	24DC	1,3	31,2W	12306
ELM-06-FM-48V DC	48DC	0,58	27,8W	33259
ELM-06-FM-110V RAC	110 RAC	0,5	55VA	12307
ELM-06-FM-220V RAC	220 RAC	0,25	55VA	12301
ELM-06-FF-12V DC (forced)	12DC	3,1	37,2W	49802
ELM-06-FF-24V DC (forced)	24DC	1,6	38,4W	49515
ELM-06-FM-AMP-12VDC	12DC	2,4	28,8W	
ELM-06-FM-AMP-24VDC	24DC	1,3	31,2W	49092

COILS FOR CETOP5 VALVES

ELM-10-F-...

- ✓ ISO 4400/DIN 43650 connection
- ✓ Plastic housing
- ✓ Protection class - IP65 according to EN 60529
- ✓ Duty factor - ED100%
- ✓ Magnetic wire insulation class - H(180°C)



Coil type	Voltage[V]	Current [A]	Power [W]or[VA]	Ordering code
ELM-10-F-12V DC	12DC	2,9	34,8W	33109
ELM-10-F-24V DC	24DC	1,6	38,4W	12264
ELM-10-F-110V RAC	110 RAC	0,5	55VA	12265
ELM-10-F-220V RAC	220 RAC	0,25	55VA	12267

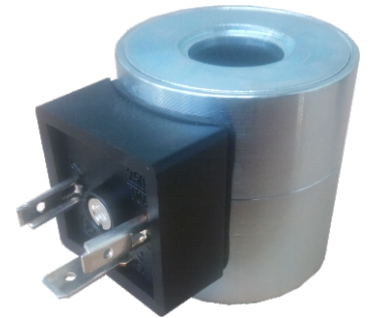
COILS FOR SOLENOID CARTRIDGES-STANDARD

EM-...-...

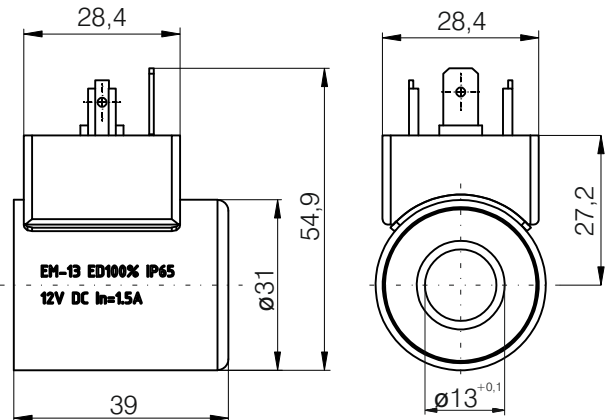
- ✓ ISO 4400/DIN 43650 connection
- ✓ Steel housing
- ✓ Protection class - IP65 according to EN 60529
- ✓ Duty factor - ED100%
- ✓ Magnetic wire insulation class - F(155°C)

EM-13-24V DC 18W

EM-16-24V DC 25W

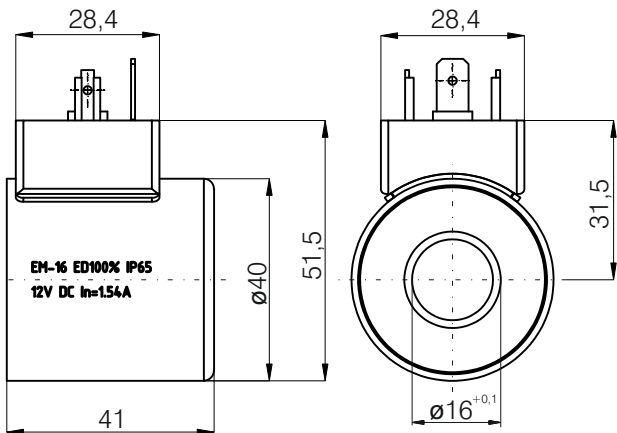


EM-13-...



Coil type	Voltage[V]	Current [A]	Power [W]or[VA]	Ordering code
EM-13-12V DC-18W	12DC	1,5	18W	49539
EM-13-24V DC-18W	24DC	0,75		49540
EM-13-110V RAC-18W	110 RAC	0,16	18VA	49966
EM-13-220V RAC-18W	220 RAC	0,08		49632

EM-16-...



Coil type	Voltage[V]	Current [A]	Power [W]or[VA]	Ordering code
EM-16-12V DC	12DC	1,54	18W	49541
EM-16-T-12V DC		2,25	27W	49788
EM-16-24V DC	24DC	0,76	18W	49542
EM-16-T-24V DC		1,12	27W	49789
EM-16-110V RAC	110 RAC	0,15	16,5VA	49967
EM-16-T-110V RAC		0,22	24VA	49790
EM-16-220V RAC	220 RAC	0,076	16,5VA	49570
EM-16-T-220V RAC		0,12	26VA	49791

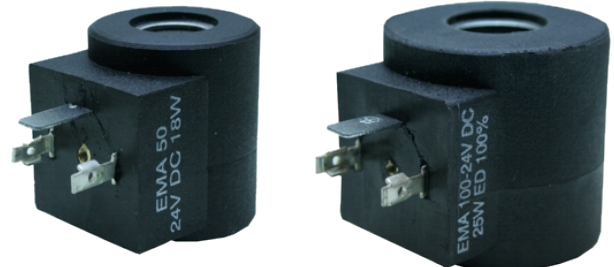
COILS FOR SOLENOID CARTRIDGES*

EMA...-...

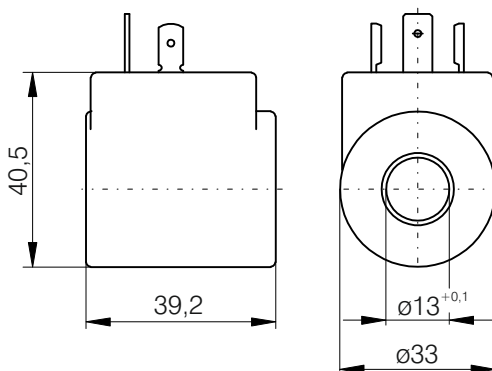
- ✓ ISO 4400/DIN 43650 connection-as standard
- ✓ AMP Junior connection only for EMA 100-as option
- ✓ Plastic housing
- ✓ Protection class - IP65 according to EN 60529
- ✓ Duty factor - ED100%
- ✓ Magnetic wire insulation class - H(180°C)

EMA 50-24V DC 18W

EMA 100-24V DC 25W



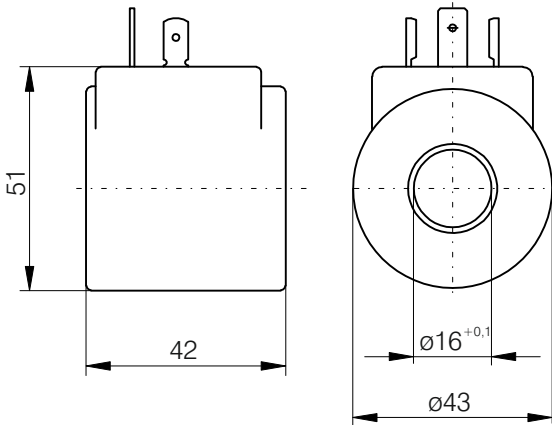
EMA 50-...



Coil type	Voltage[V]	Current [A]	Power [W]or[VA]	Ordering code
EMA 50-12V DC-18W	12DC	1,5	18W	33953
EMA 50-24V DC-18W	24DC	0,75	18W	33952
EMA 50-110V RAC-18VA	110 RAC	0,16	18VA	12308
EMA 50-220V RAC-18VA	220 RAC	0,08	18VA	12260
EMA 50-12V DC-25W	12DC	2,1	25W	50186
EMA 50-24V DC-25W	24DC	1,05	25W	50187

*Note: Coil type EMA 50 and EMA 100 - only on request.

EMA 100-...

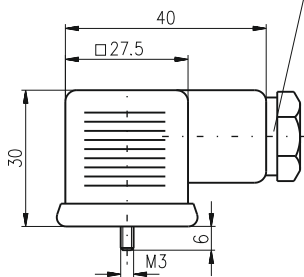


Coil type	Voltage[V]	Current [A]	Power [W]or[VA]	Ordering code
EMA 100-12V DC-18W	12DC	1,5	18W	12290
EMA 100-12V DC-25W		2,1	25W	33110
EMA 100-24V DC-18W	24DC	0,75	18W	12261
EMA 100-24V DC-25W		1,05	25W	33877
EMA 100-110V RAC-18VA	110 RAC	0,16	18VA	12288
EMA 100-110V RAC-25VA		0,23	25VA	50188
EMA 100-220V RAC-18VA	220 RAC	0,08	18VA	12287
EMA 100-220V RAC-25VA		0,11	25VA	14323

NOTE! Coil type EM-16 and coil type EMA 100 are interchangeable.
Coil type EM-13 and coil type EMA 50 are interchangeable.

CONNECTORS

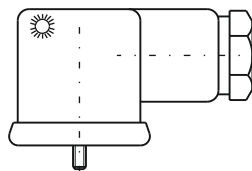
for DC type Pg 11



With standard connector
- ISO 4400/DIN 43 650

Ordering code:
black - 33058
gray - 33059

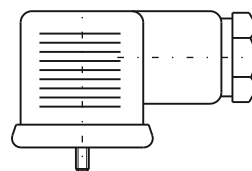
for DC type



Connector with light
indicator

Ordering code:
transparent - 33069

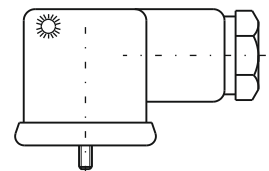
for AC type



Connector with
integrated "RC" filter

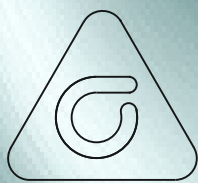
Ordering code:
black - 33057
gray - 33056

for AC type



Connector with light
indicator and "RC"
filter

Ordering code:
transparent - 33060



caproni

BULGARIA JOINT-STOCK COMPANY

**BULGARIA , 6100 KAZANLAK , 45 STOLETOV STR.
TEL.:+359/431/62 229 , +359/431/6132 ,
FAX:+359/431/62 230 , +359/431/63 134
E-MAIL:CAPRONI@CAPRONI.BG , WEB:HTTP://WWW.CAPRONI.BG**