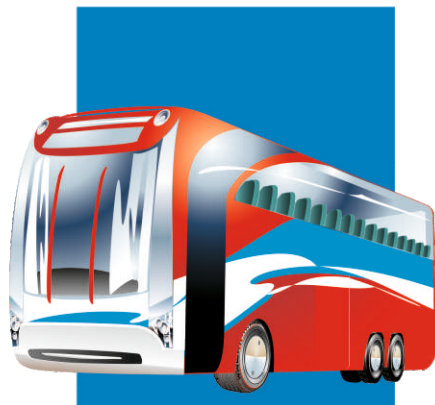




Technology
you can
rely on



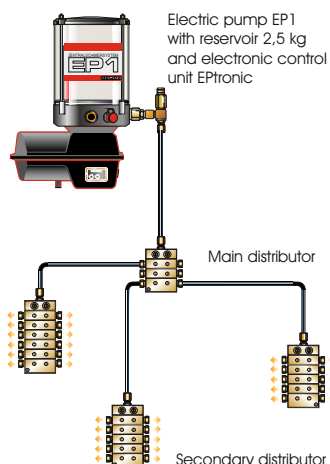
Central lubrication for trucks,
trailers and busses

The central lubrication for all utility vehicles: EP-1



Many utility vehicles have a large number of lube points, e.g. vehicles with complex installations, Off Road trucks or heavy haulage. Wear of high-loaded bolts, shafts and sealings can only be reduced by a steady lubrication. With a BEKA-MAX lubrication you have the certainty that each lube point is lubricated at the right time.

During the vehicle operation, the BEKA-MAX central lubrication supplies each lube point with the necessary grease quantity - absolutely reliable, electronically precise controlled and exact metered. Each bearing receives the necessary lubricant quantity it needs. And everything without annoying stand still times!



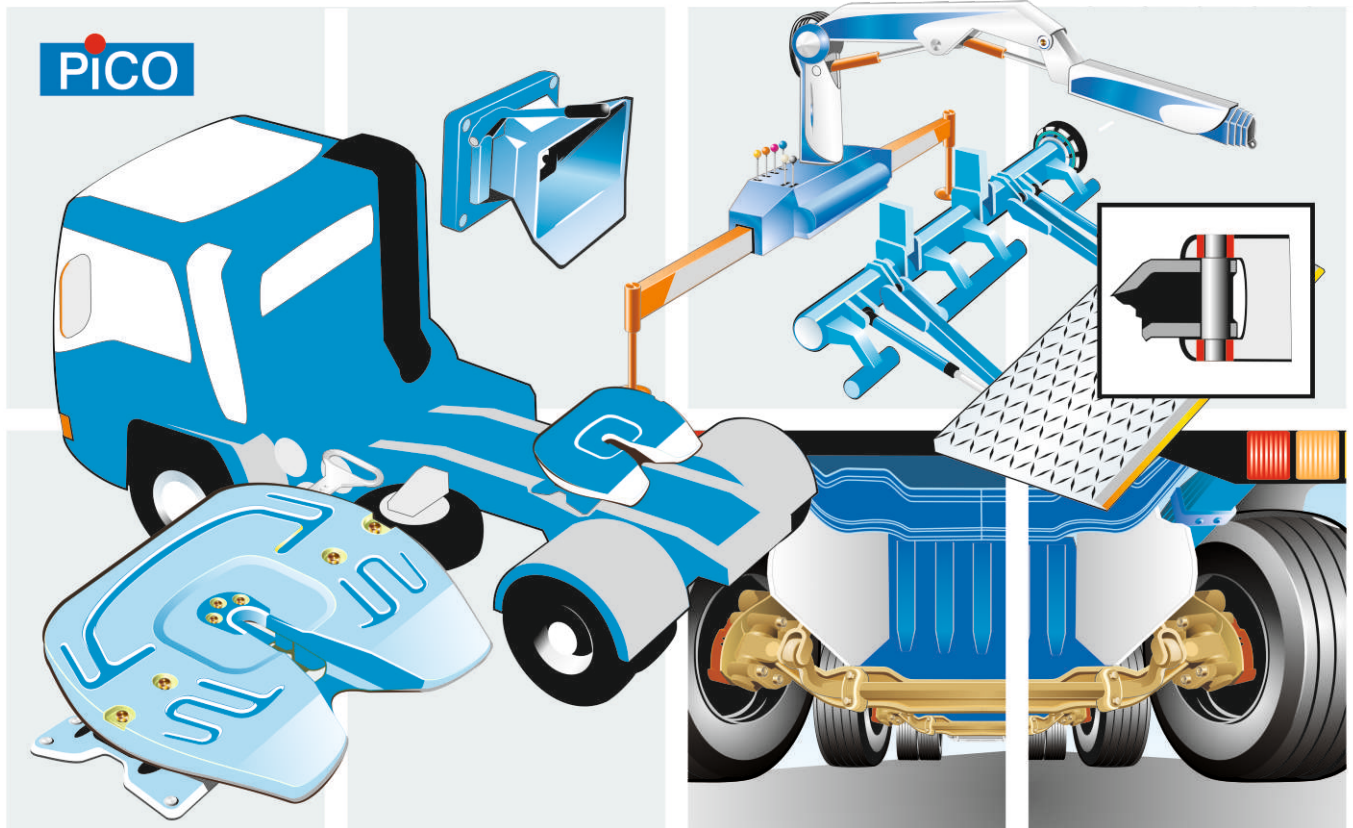
The electronic control of the central lubrication is adapted to the operating conditions of the vehicle and activates the pump in defined intervals.

The pump supplies grease via a main line to the distributors that forward the quantity to the individual bearing points.

Due to the modular distributor design, each friction point is supplied with the perfect lubricant quantity.

- Robust components, especially for the hard use in modern utility vehicles.
- Suitable for all common lubricants (NLGI 000, 00, 0, 1, 2)
- Positively metered supply element for highest operational safety also at low temperatures.
- Reservoir capacities: 1,9/ 2,5/ 4,0/ 8,0 kg
- Modular installed distributor system for a perfect lubricant metering (possible output per outlet: 25/ 45/ 75/ 105mm³)
- Integrated control unit EP-tronic with
 - 3 control functions: time, stroke or number of revolutions
 - electronic maintenance of level, pump function, distributor function, line rupture, lubricant application onto lube point
 - electronic choice of operating conditions EWP: easy, medium or heavy use
 - integrated data logger with diagnosis module
 - interface to telemetric system BEKAtraX
- Perfect matching installation kits for each vehicle type in OEM quality
- Used as standard by leading manufacturers

Big power with small dimensions: The PICO-compact lubrication system



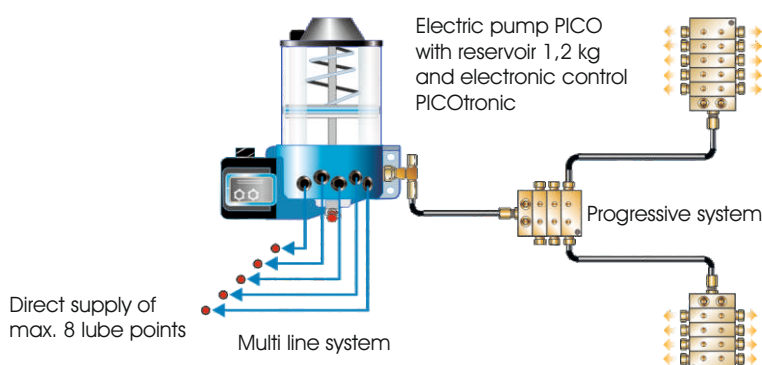
The PICO compact lubrication system has especially been developed for vehicles that have only a limited number of lube points. The PICO system is the perfect solution if for example only the trailer base, the front axle and/or the hydraulic platform shall be supplied with lubricant. Due to the modular design the PICO system can be enlarged if necessary.

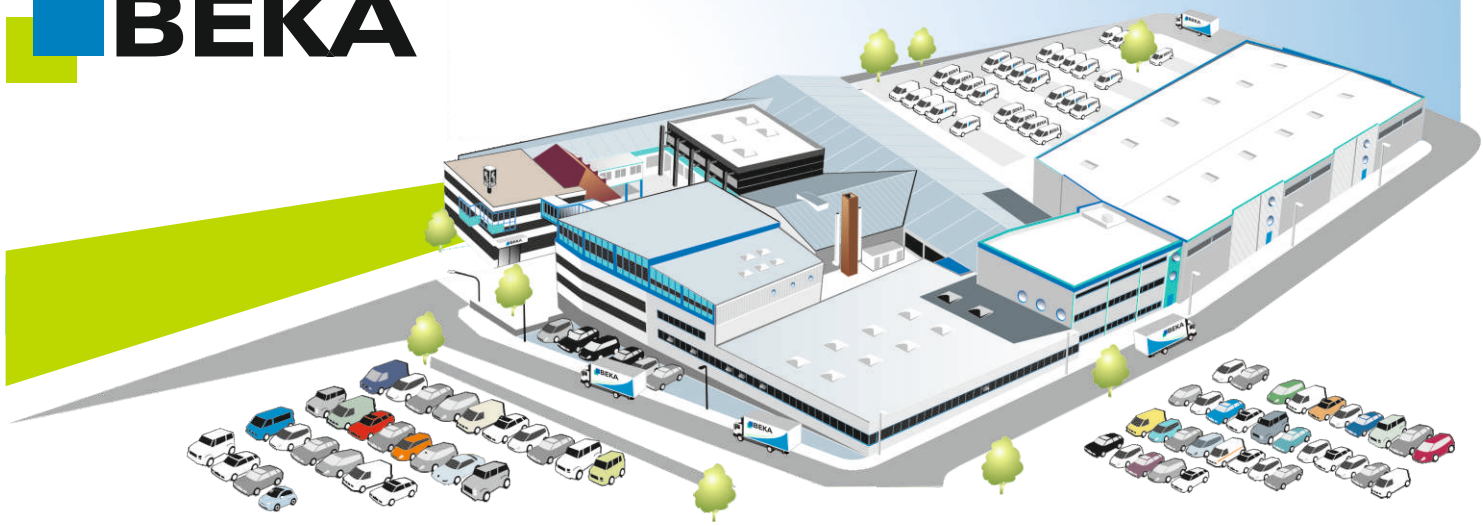
A new concept: The PICO system combines power and flexibility in perfect conditions with a compact design. The PICO pump is the worldwide unique combination of progressive- and multi line technology.

The basic version contains one PICO pump with a progressive distributor who supplies lubricant to the lube points. In addition to this up to 8 lube points can be supplied directly. If necessary the system can be enlarged by a second progressive cycle.

The PICO system is designed modular and suitable for all common vehicles and trailers.

- Very compact design for applications with little number of lube points or at close quarters
- Unique combination of two lubrication systems: progressive- and multi line technology
- Suitable for all common lubricants (NLGI 000, 00, 0, 1, 2)
- 1,2 kg reservoir with level monitoring
- Cost-saving basic system
- Flexible enlargement possibilities
- Integrated control unit PICO- tronic with
 - 3 control functions: time, stroke or number of revolutions
 - electronic maintenance of level, pump function, distributor function, line rupture, lubricant application onto lube point
 - electronic choice of operating conditions EWP: easy, medium or heavy use
 - integrated data logger with diagnosis module
 - interface to telemetric system BEKAtraX
- Perfect matching installation kits in OEM quality





BAIER + KÖPPEL GmbH + Co. KG

BEETHOVENSTRASSE 14
91257 PEGNITZ/BAVARIA
GERMANY

PO BOX 13 20
91253 PEGNITZ/BAVARIA
GERMANY

fon +49 9241 729-0
fax +49 9241 729-50

e-mail beka@beka-lube.de
web www.beka-lube.de

BEKA INDUSTRIAL
BEKAMAX
BEKAMINING
BEKAFLUILUB
BEKAFOODLINE
BEKAWIND
BEKAWOOD
BEKACLEARTRONIC
BEKATRON
BEKA ONE

BEKA International

- ALGERIA**
 BEKA LUBE ALGERIE
 Zone d'activité n°25
 25140 Ain-smara / Constantine
 fon +213 31 97 51 12
 fax +213 31 97 51 00
 e-mail n.hannache@beka-lube.dz
- AUSTRIA**
 BEKA-Lube GmbH
 Rottweg 66
 5020 Salzburg
 fon +43 662 43 84 40
 fax +43 662 43 84 403
 e-mail office@beka-lube.at
- BELGIUM**
 BEKA LUBE N.V.S.A.
 Demerstraat 32
 BE 3200 Aarschot
 fon +32 16 64 09 26
 fax +32 16 64 05 48
 e-mail info@beka-lube.be
- CANADA**
 BEKA-LUBE Products Inc.
 6581 Kiltimat Road, Unit 2
 Mississauga, ON L5N 3T5
 fon +1 905 821 10 50
 fax +1 905 858 05 97
 e-mail info@beka-lube.com
- CHINA**
 BEKA Lubrication Systems Co. Ltd.
 Room 1803, Building 1 Sandhill Plaza,
 No. 2290 Zuchongzhi Road
 Pudong New District, Shanghai 201210
 fon +86 21 61 46 29 88
 fax +86 21 61 46 29 89
 e-mail sales@bekaworld.cn
- FRANCE**
 BEKALUBE FRANCE
 4, bis Rue de l'Artisanat
 89100 Paron
 fon +33 386 83 39 06
 fax +33 386 65 52 24
 e-mail contacts@bekalube.fr
- ITALY**
 BEKALUBE s.r.l.
 Via Rossi 152
 I-20862 Arcore (MB)
 fon +39 039 61 80 088
 fax +39 039 61 75 23
 e-mail servizioclienti@bekalube.it
- JAPAN**
 BEKA Japan Co., Ltd.
 7-5-8 Kumata
 Higashi Sumiyoshi Ku
 Osaka City, 546-0002
 fon +81 (0) 6 6713 2205
 fax +81 (0) 6 6713 2206
 e-mail info@bekajapan.jp
- KOREA**
 BAIER + KÖPPEL Korea Liaison Office
 A-1406, Sunyudo Woolim Lions Valley
 149, Yangpyeong-ro,
 Yeongdeungpo-gu, Seoul (150-105)
 fon +82 2 20 38 09 88
 fax +82 2 20 38 89 34
 e-mail info@bekaworld.kr
- NETHERLANDS**
 BEKA NEDERLAND B.V.
 Wagenmakerij 11
 4762 AV Zevenbergen
 fon +31 168 37 15 38
 fax +31 168 33 83 29
 e-mail info@beka.nl
- SPAIN**
 BEKA-LUBE IBÉRICA S.L.U.
 C/Albasanz 14 Bis, 2ª J
 28037 Madrid
 fon +34 91 440 26 56
 fax +34 810 520 178
 e-mail beka@beka-lube.es
- SINGAPORE**
 BEKAWORLD SINGAPORE PTE. LTD.
 51 Changi Business Park Central 2
 #07-10 The Signature
 Singapore 486066
 fon +65 65 38 94 18
 fax +65 65 38 94 28
 e-mail j.low@bekaworld.sg
- TURKEY**
 BEKAMAKS Makine Merkezi Yaglama
 ve Hidrolik Sistemler San. Ve Tic. A.S.
 Küçükyalı İş Merkezi İrmaklar Sk. B
 Blok No: 72-7B-1 Girne Mah.
 34852 Mattepe İstanbul
 fon +90 216 367 34 00
 fax +90 216 367 33 85
 e-mail info@bekamaks.com
- USA**
 BEKAWORLD LP
 258 Sonwil Drive
 Buffalo, NY 14225
 fon +1 716 685 37 17
 fax +1 716 685 36 34
 e-mail info@us.bekaworld.com
- Other International Offices:**
 East Tshanhair Company Ltd.
 7A Building, Medicine Valley No.1,
 No.9 Tianfu Street, Bio-Medicine Park,
 Zhongguancun Science Park,
 Daxing District, Beijing 102600
 fon +86 10 83 681 526
 fax +86 10 83 681 520
 e-mail beka-lube@bekachina.com
- BEKA AHWON
 326-1 Danggung Dong
 Gunpo Si Kyungki Do Korea
 Postal Code 435-822
 fon +82 31 451 06 28
 fax +82 31 451 09 74
 e-mail jhleeahwon@gmail.com

Agencies

Argentina	Finland	Lithuania	Slovakia
Australia	Great Britain	Luxemburg	Slovenia
Belarus	Greece	Malaysia	South Africa
Bosnia	Hong Kong	New Zealand	Sweden
Brazil	Hungaria	Norway	Switzerland
Bulgaria	India	Poland	Ukraine
Croatia	Indonesia	Portugal	and others
Czechia	Iceland	Romania	
Denmark	Ireland	Russia	
Estonia	Latvia	Serbia	

- Ⓢ BEKA Subsidiary
- Ⓡ BEKA Rep Office
- Ⓟ Partner

