



A completely new design for both industrial and mobile hydraulic systems



The **K3VL Range** has welcomed a new smaller addition to its family

K3VL28

- Swash plate type axial piston pump for construction and industrial machinery
- Low noise contributes to a pleasant working environment
- Through drive capabilities
- New smallest displacement in range

Typical Applications: Dust cart operation, fan drive control, injection moulding machine.

KPM
Kawasaki Precision Machinery

K3VL28

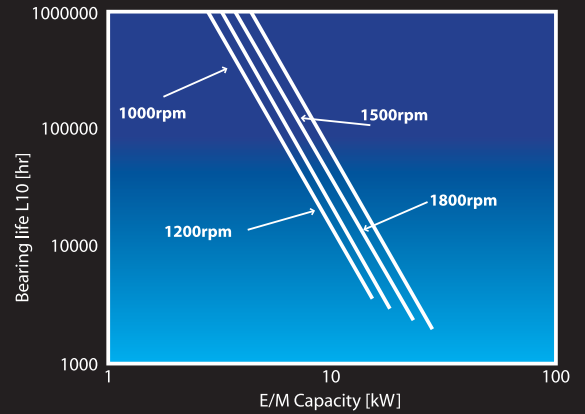


Specifications

Displacement cm ²		28
Pressure Mpa	Rated	32
	Max	35
Speed min ⁻¹	Max self priming* ³	3000
Max input torque Nm		155
Mass Kg		20
Shaft type		SAE B spline
Mounting type		SAE B 2 bolt
Hydraulic Fluid* ⁴	Type	Antiwear hydraulic fluid
	Oil temperature range °C	-20 ~ +90
	Viscosity range mm ² /s	10 ~ 1000* ⁵

*1 Other regulator types currently under development. *2 Other model code options currently under development.
 *3 Suction pressure should be above -0.01 Mpa at normal conditions. *4 When other types of fluid are used please contact Kawasaki. *5 In case of 200~1000mm²/s please allow system to warm up before using at operating temperature.

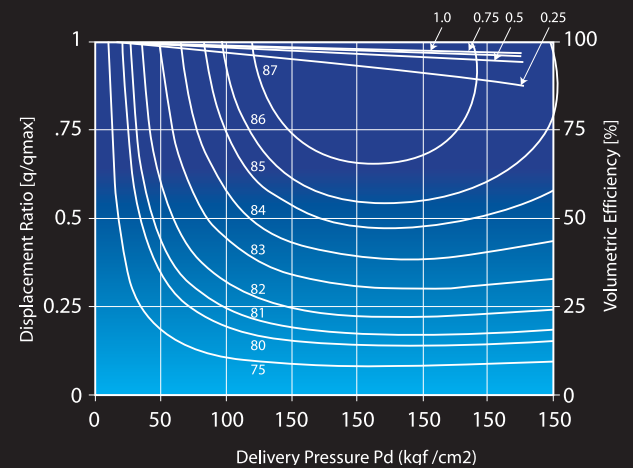
Bearing Life



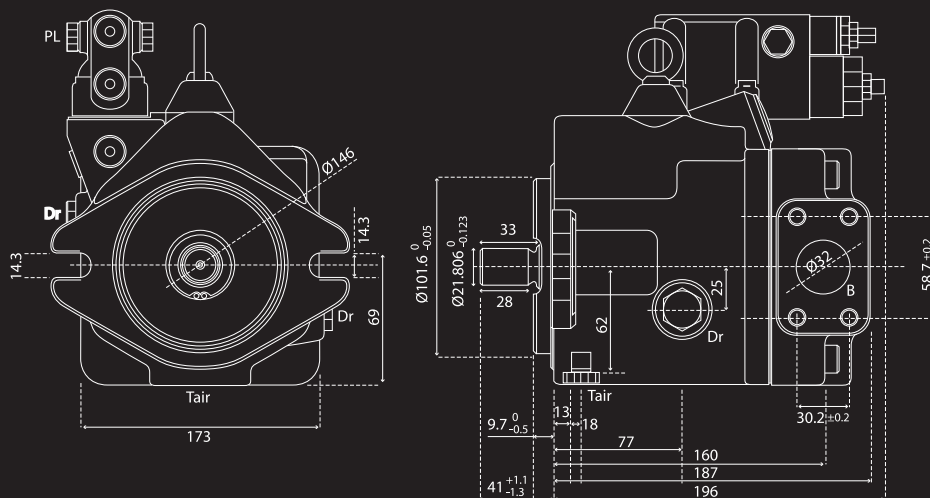
Port Details

Symbol	Port Name	Port Size - Depth	Tightening Torque	On Delivery	Plug's Part No.
A	Delivery Port	SAE J518C Std (Code 6L) 3/4"	57	Covered with tape	-----
B	Suction Port	SAE J518C Std (Code 6L) 1 1/4"	57	Covered with tape	-----
Dr	Drain Port	3/4 16 UNF-2B-14.3 (ISO 11926-1:1995)	98	Attached with a Steel Plug	PPU12
PL	Load Sensing Port	7/16-20 UNF-2B-11 (ISO 11926-1:1995)	12	Attached with a Steel Plug	PPU7
Tair	Air Bleeder Port	7/16-20 UNF-2B-11.5 (ISO 11926-1:1995)	12	Attached with a Steel Plug	PPU7
a1	Gauge Port	7/16-20 UNF-2B-11.5 (ISO 11926-1:1995)	12	Attached with a Steel Plug	PPU7

Pump Efficiency



Dimensions



KAWASAKI PRECISION MACHINERY (UK) LTD

Ernesettle, Plymouth, Devon, PL5 2SA, England

Tel: +44 1752 364394 Fax: +44 1752 364816, Email: info@kpm-uk.co.uk

www.kpm-eu.com