

## 750 Series - 5/2



**Compact solenoid multi-valve | 5/2 x 4**  
PNEUMATIC DIVISION

**MATRIX**  
mechatronics

[www.matrix.to.it](http://www.matrix.to.it)  
[sales@matrix.to.it](mailto:sales@matrix.to.it)

# SOLENOID VALVES 750 SERIES • 5/2

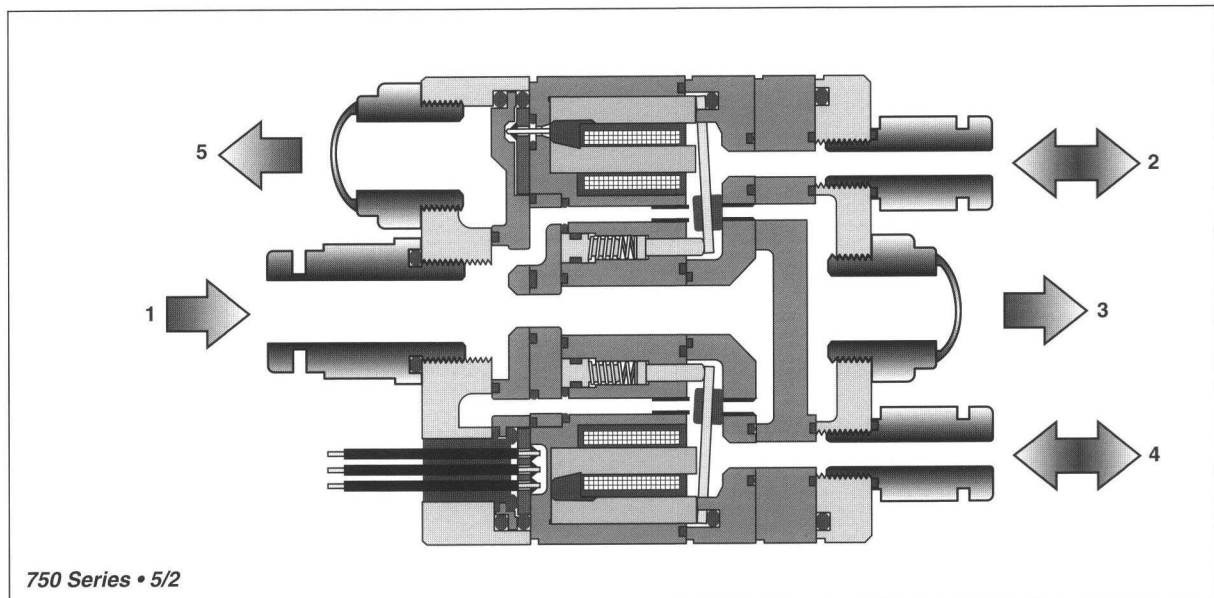
5/2 750 Series encloses 8 shutters in a single body, four in NC configuration and four in NO configuration. Shutters are placed in NC - NO couples and every couple is combined to a single control, providing the change of function.

The 8 outlets of the solenoid valve are also placed in an alternated NC - NO sequence and every couple is prearranged to control a double-acting cylinder.

The models present all the innovations offered by Matrix technology, combining dynamic high-performance with the simplicity and reliability of the manufacture. Response times are of milliseconds while operating life lasts over 500 million cycles.

Due to the control of speed-up type, dynamic characteristics are even more improved. Standard solenoid valves have a response time lower than 5 ms in opening and in closing, with a maximum operating frequency of 100 Hz.

For 5/2 750 series, a lot of accessories are available, such as IP 52 or IP 56 connectors, manifolds with different positions and speed-up driver boards.



## Advantages

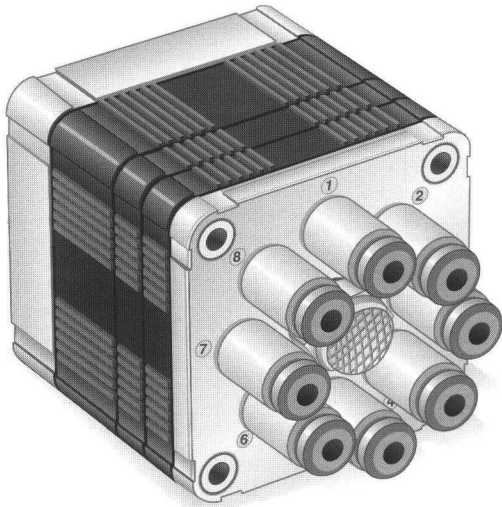
- Compact dimension.
- Short response times.
- Insensitivity to frequency work and to vibrations.
- Low absorbed power.
- Precision, repetitiveness and flexibility.
- Long operating life.

## Applications

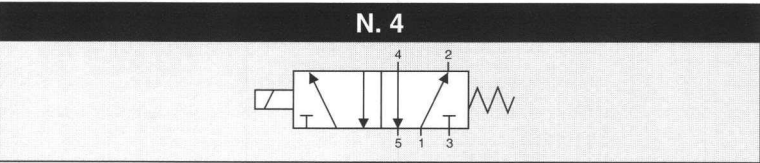
- Process and precision instrumentation.
- Industrial automation.
- Robotics.
- Positioning systems.
- Piloting.

## Materials

- Body in PPS.
- Flanges in Al.
- Seals in NBR (shutters in HNBR if required).



CONTROL: **DIRECT**



**GENERAL CHARACTERISTICS**

<b>FLUID</b>	Non-lubricated dry air, neutral gases (-10 + 50°C)
<b>FILTRATION RATING</b>	Min 40 micron
<b>TEMPERATURE</b>	- 10 + 50°C (Standard version)
<b>RESPONSE TIME IN OPENING</b>	KK < 5 ms
<b>RESPONSE TIME IN CLOSING</b>	KK < 5 ms
<b>MAXIMUM FREQUENCY</b>	100 Hz
<b>WEIGHT</b>	380 g
<b>PRODUCT LIFE EXPECTANCY</b>	≥ 500 M/s cycles
<b>IP RATING</b>	IP 52 - IP 65

**IDENTIFICATION CODE**

	<b>H</b>	<b>X</b>	<b>7</b>	<b>5</b>	<b>8</b>	<b>4</b>	<b>E</b>	<b>8</b>	<b>E</b>	<b>5</b>	<b>KK</b>
--	----------	----------	----------	----------	----------	----------	----------	----------	----------	----------	-----------

**• FLOW RATE (at 6 bar)**  
**H** 50 NI / min

**• VERSION**  

	Standard
<b>H</b>	HNBR Shutters

**• No. ELECTRICAL CONTROLS**  
**4** 4 Controls

**• PORT CONNECTION**  

<b>E</b>	Presetting for Easy connection IP 52 - IP 65
----------	---

**• OUTLETS**  
**8** 8 Outlets

**• FUNCTIONS**  

<b>E</b>	N.4 Outlets NO N.4 Outlets NC
----------	----------------------------------

**• TYPE**  
**5** 5/2

**• CONTROL TENSION**  

<b>KK</b>	Speed-up in tension	ED 100% <sup>(1)</sup>	—
-----------	---------------------	------------------------	---

(1) Only with Electronic Driver Boards PRB or UDB

**• OPERATING PRESSURE**  

	RANGE	MODELS
<b>8</b>	2 - 6 bar	All

**VIEW A** (Left): Side view showing dimensions: total length 53, cable length AWG 24 L = 500 mm, and two MAX 5 segments. Callouts 1, 2, 3, and 4 indicate accessory locations.

**VIEW A** (Right): Top view showing dimensions: 44x44 mm square body, 34 mm width between outlets, and G 1/8 ports. Labels include INLET, EXHAUST, and OUTLET.

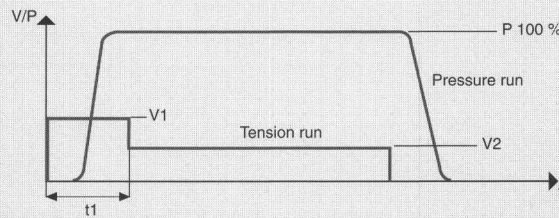
**VIEW A** (Bottom): Front view showing dimensions: 55 mm height, 43 mm width between outlets, and 18.5 mm distance from inlet to outlet. Labels include INLET, EXHAUST, and M 5.

OUTLETS M 5	
Normally Open	1 - 3 - 5 - 7
Normally Closed	2 - 4 - 6 - 8

ACCESSORIES		
Reference	Quantity	Description
1	1	PUSH-IN FITTING Ø 10
2	8	PUSH-IN FITTING Ø 4/6
3	1	SILENCER
4	1	SILENCER

NOTE: Inch size available

**CHARACTERISTICS OF THE ELECTRICAL CONTROL - MODELS KK**

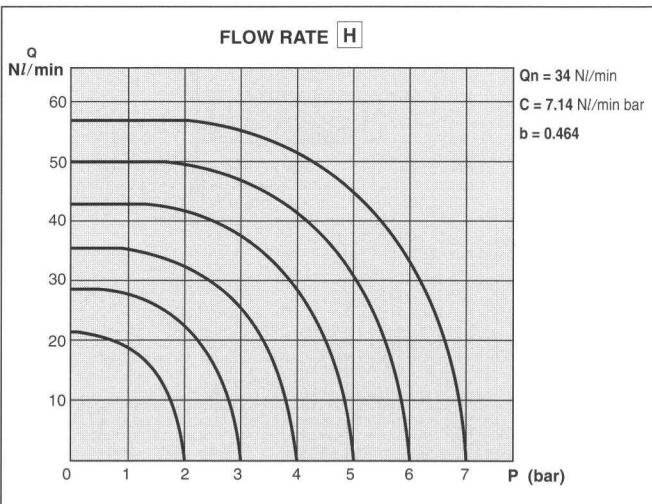


**N.B. KK MODELS ARE CONTROLLED IN TENSION**

V 1 = 24 VDC

t 1 = 6 ms

V 2 = 5 VDC



**ELECTRICAL PORT CONNECTION**

COLOUR	4 CONTROLS
BLACK	COMMON
BROWN	1 - 2
RED	3 - 4
ORANGE	5 - 6
YELLOW	7 - 8