

# Gripper

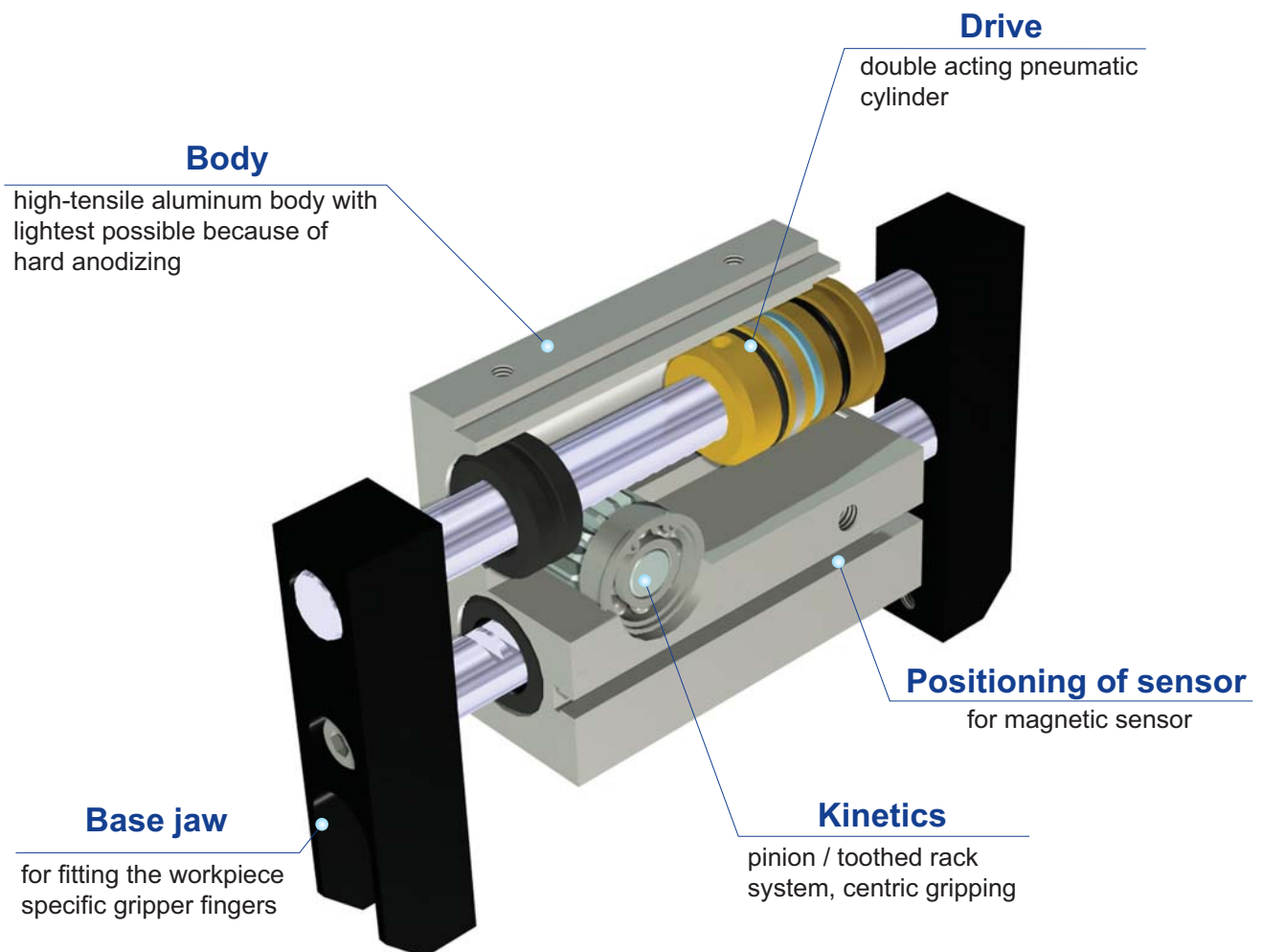
AF10-20,30,40,50

## Character

- Rack & pinion type
- High gripping forces by the structure of synchronized dual piston
- Magnetic sensor is available for open-close sensing

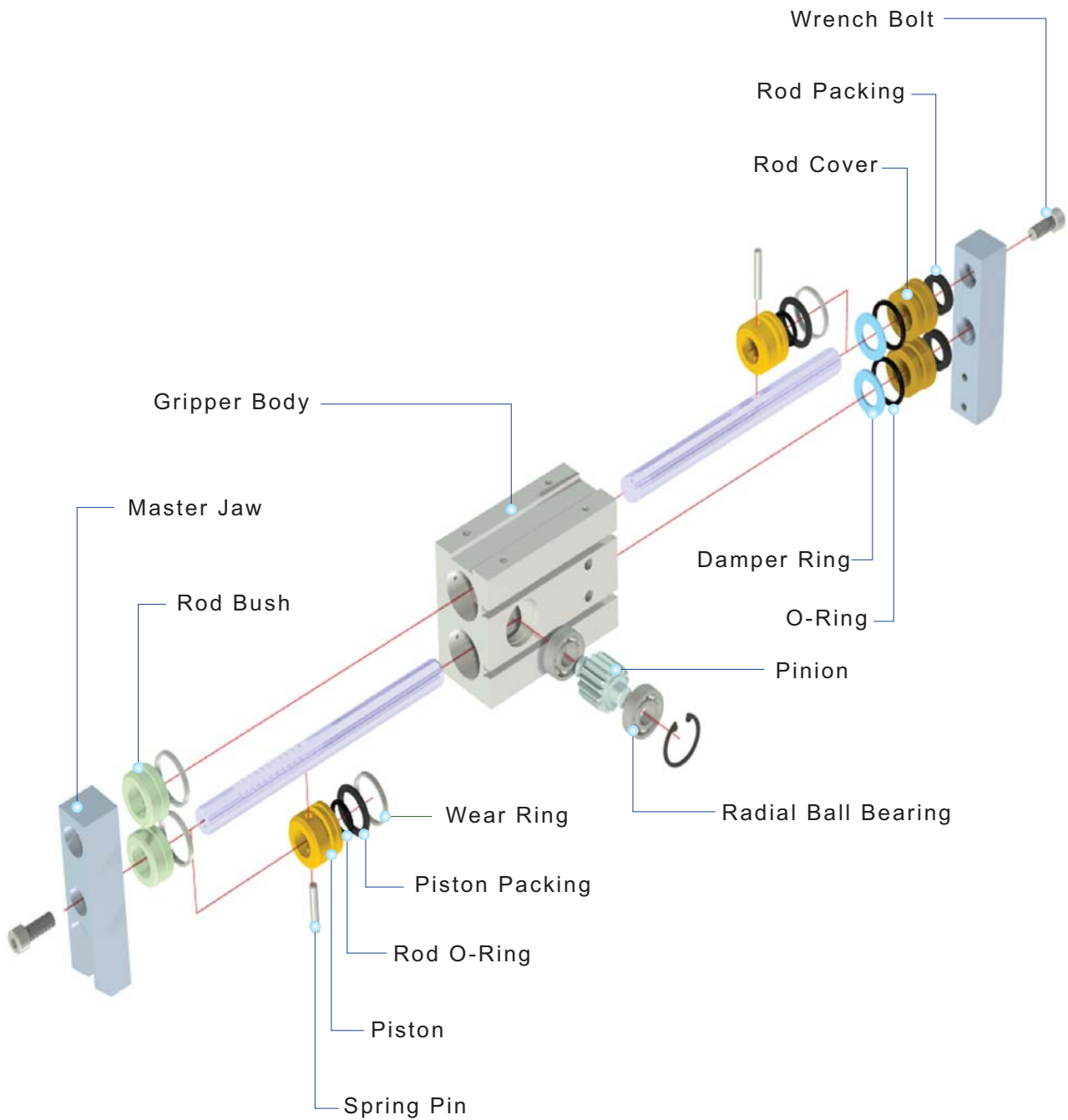


## Rack & pinion type



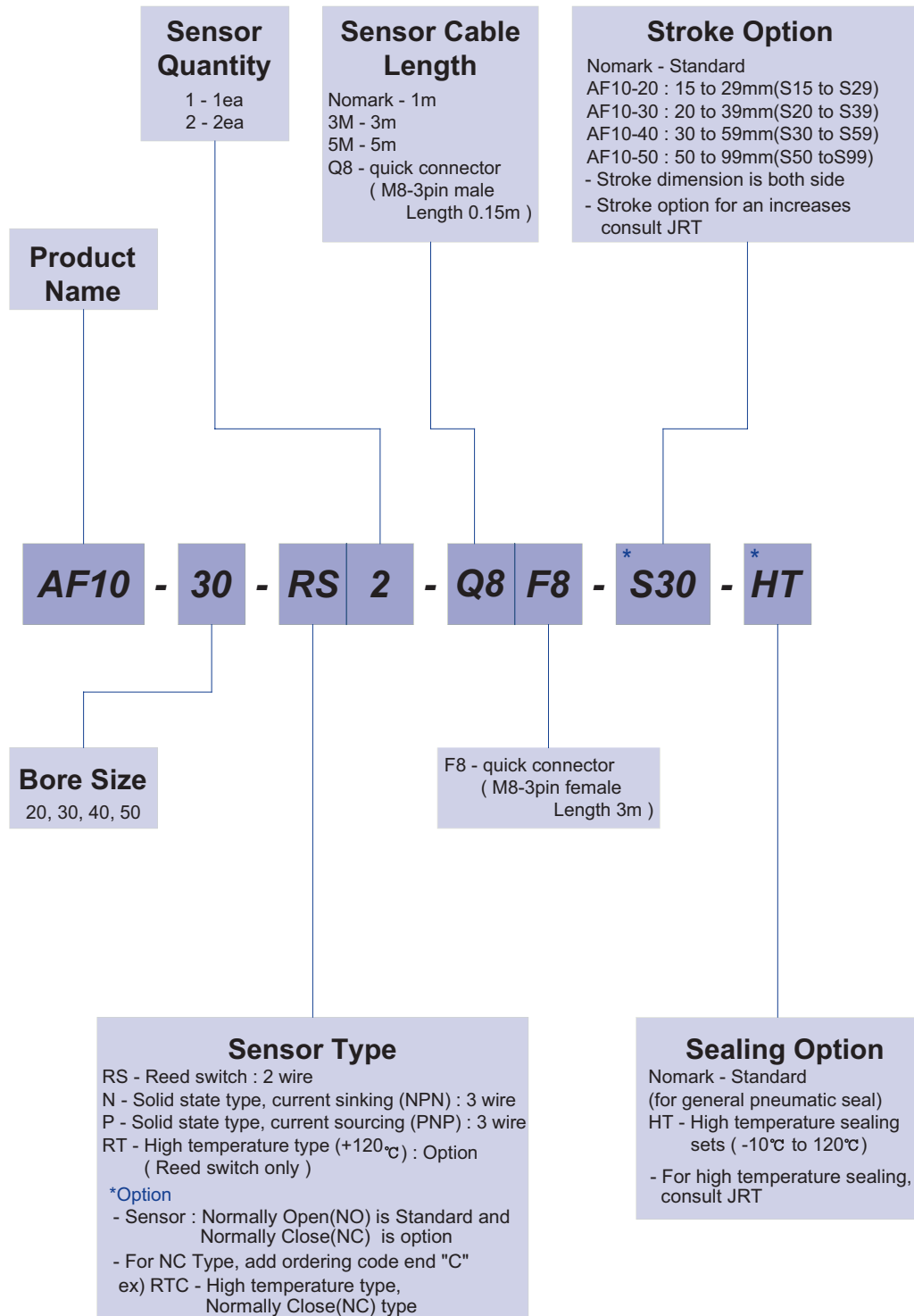
# AF10

## Exploded view



# AF10

## Ordering Code



The delivery of \* mark option is longer than a standard, So inquire of JRT

# AF10

## Specification

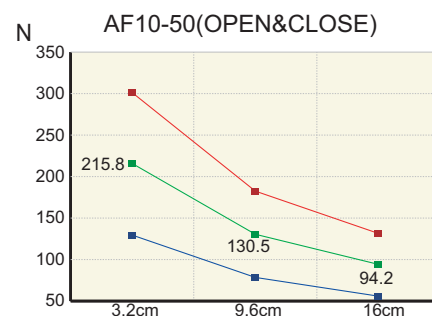
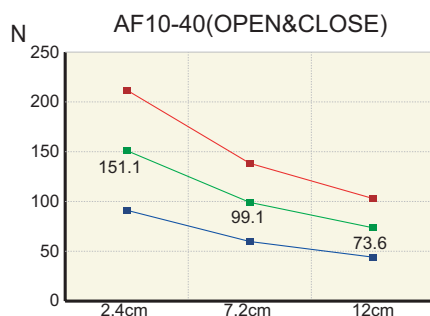
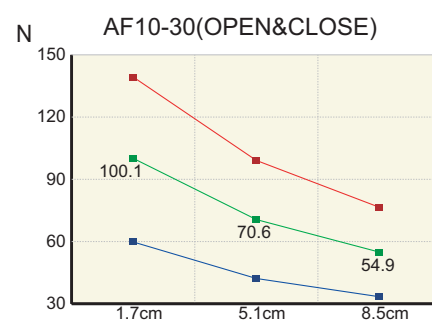
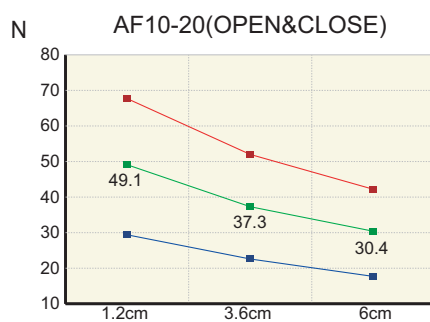
P=Air Pressure[bar] , L=Exertion length[mm]

Products Name	AF10-20	AF10-30	AF10-40	AF10-50	Unit
Stroke	30	40	60	100	mm
Weight	0.67	1.96	4.6	9.22	kg
Max. length of attach	60	85	120	160	mm
Fitting size	PF(G) 1/8	PF(G) 1/8	PF(G) 1/8	PF(G) 1/8	
Gripping force:Open	11.48P/(1+0.015L)	25.02P/(1+0.015L)	41.2P/(1+0.015L)	63.77P/(1+0.015L)	N
Gripping force:Close					
Air consumption per cycle	8.2	24.3	66.0	171.8	cm <sup>3</sup>
Closing / Opening time	0.01 / 0.01	0.01 / 0.01	0.03 / 0.03	0.09 / 0.09	sec
* Repeat accuracy	0.01	0.01	0.01	0.01	mm
Max.cycle per minute	60	60	60	60	
Operating pressure	3~7				bar
Ambient temperature	-5 to 60				°C
Lubrication	Needless				

\* After 100 consecutive strokes to end positions

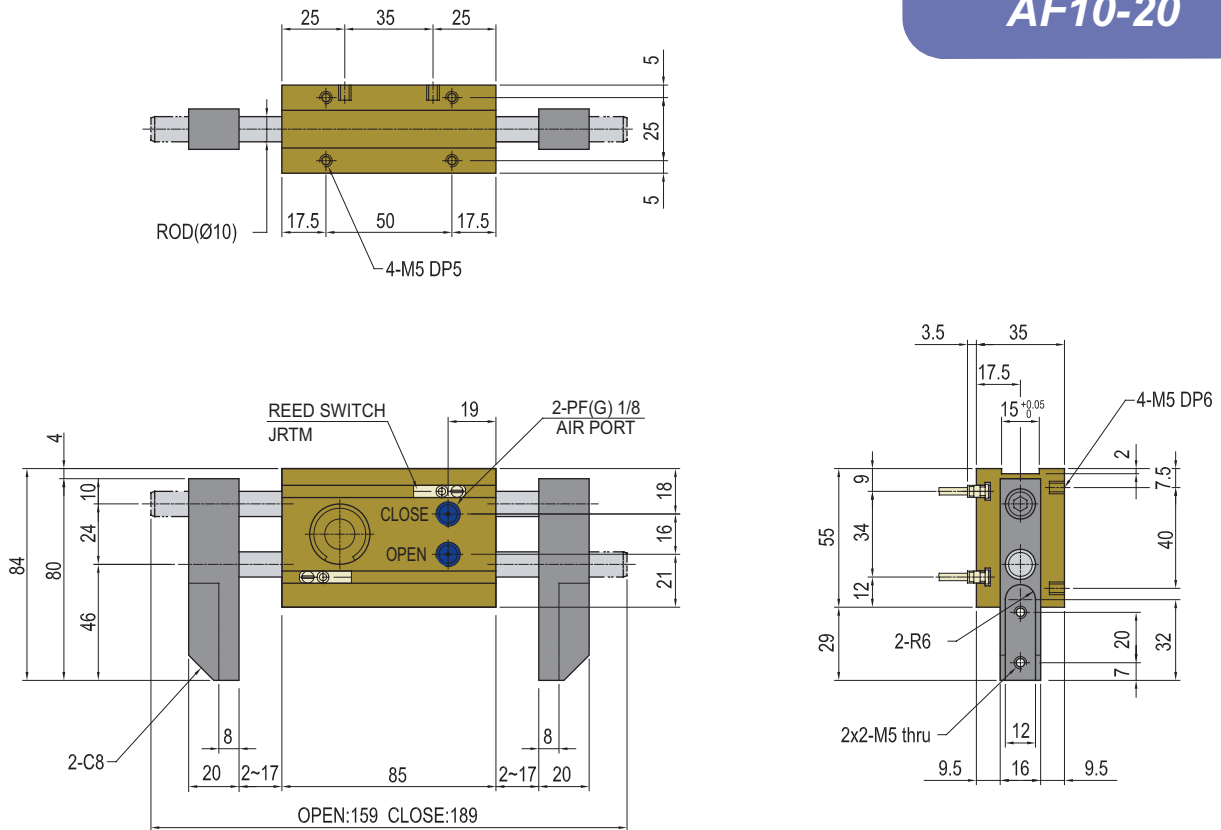
## Gripping Force per exertion length

Legend : ■ 7[bar] ■ 5[bar] ■ 3[bar]

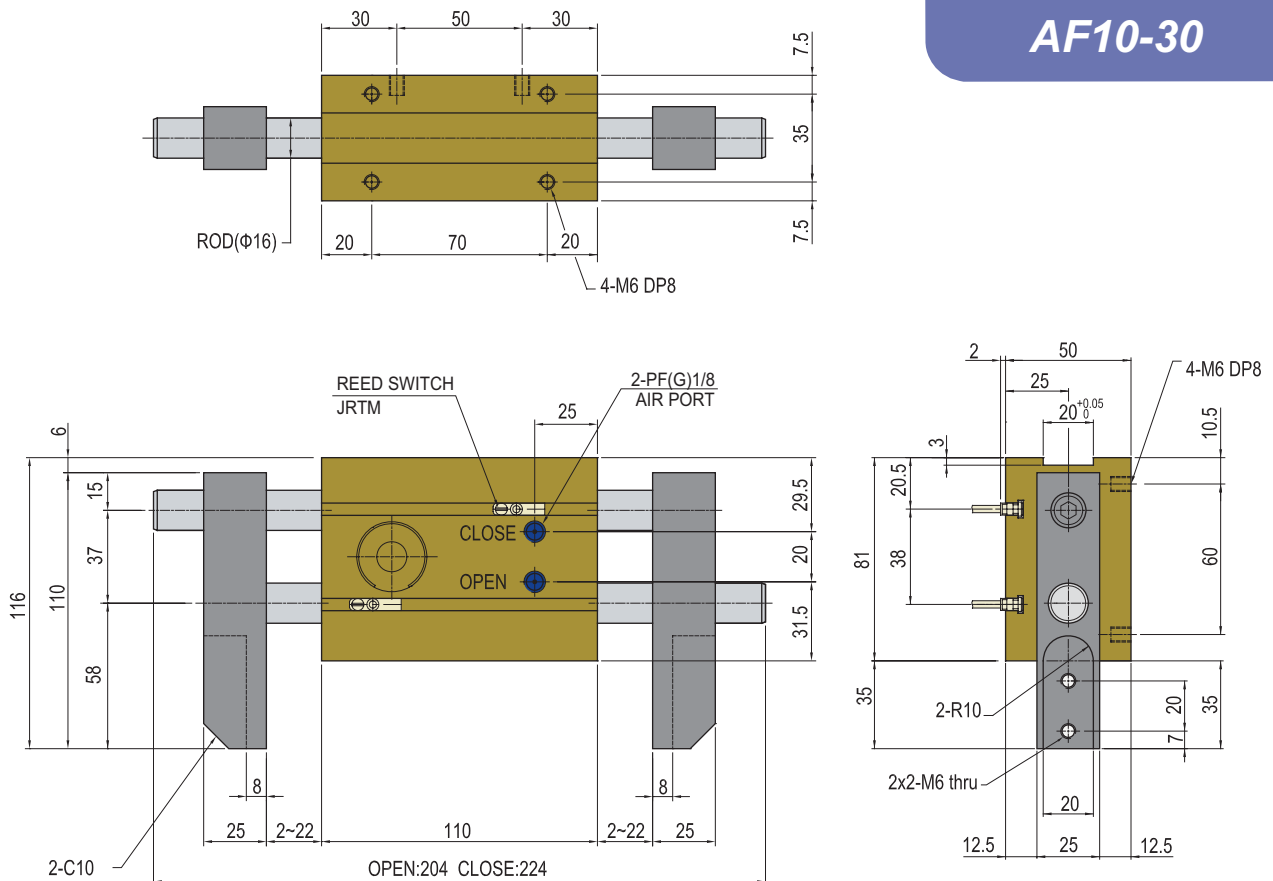


# AF10

## AF10-20

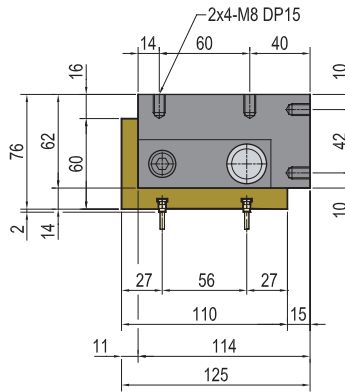
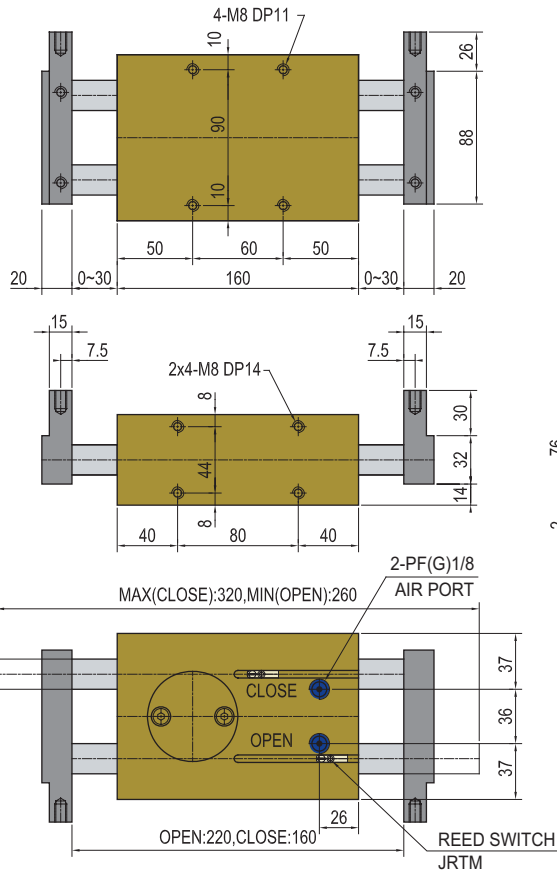


## AF10-30



# AF10

## AF10-40



## AF10-50

