

Gripper

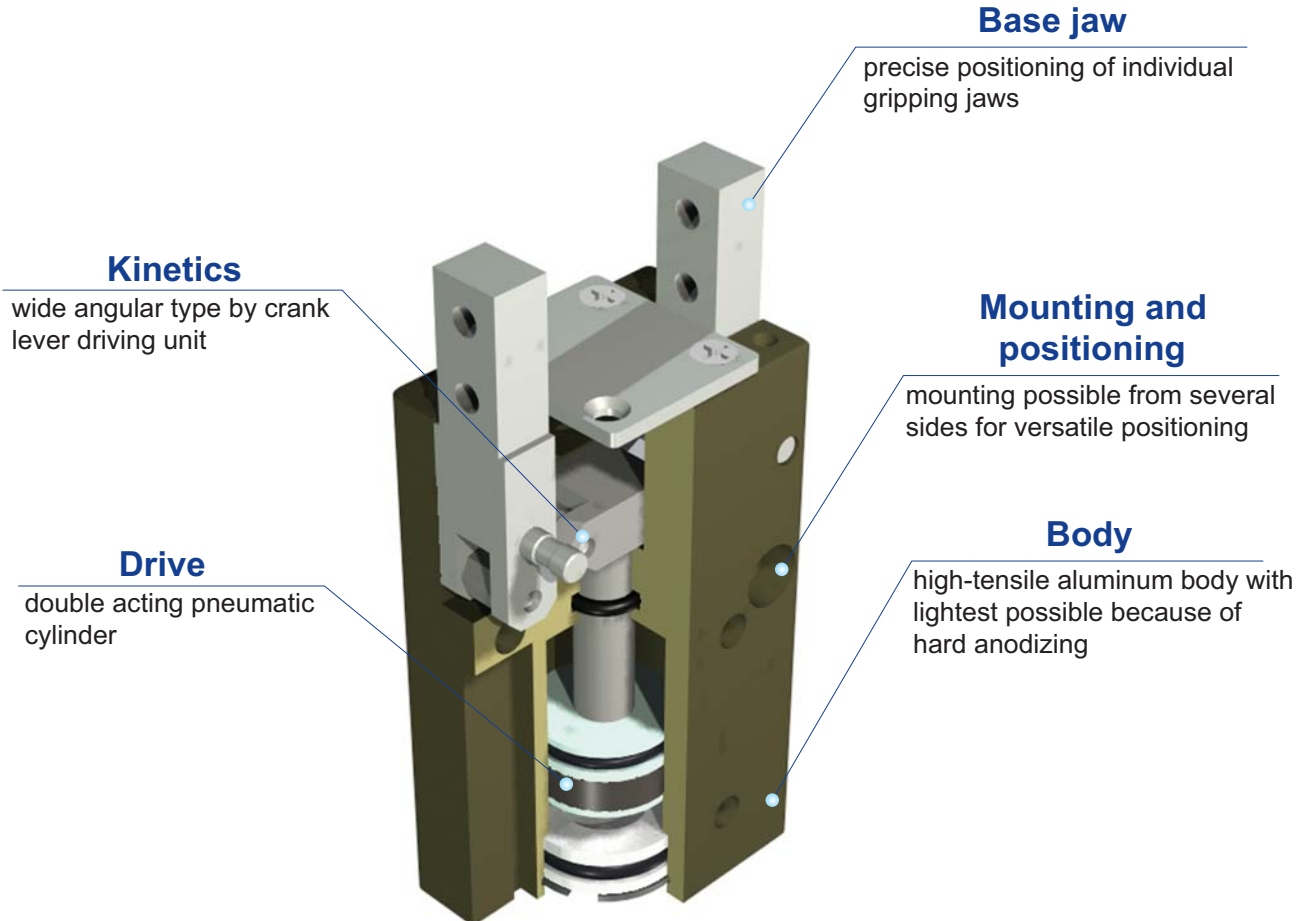
AF117-16,20,25,30,40,50,63,80

Character

- Wide angular type by crank lever driving unit
- Allow to grip the workpiece by open-close range 180° without any interference
- Wide and various selection possible by various size
- Magnetic sensor is available for open-close sensing

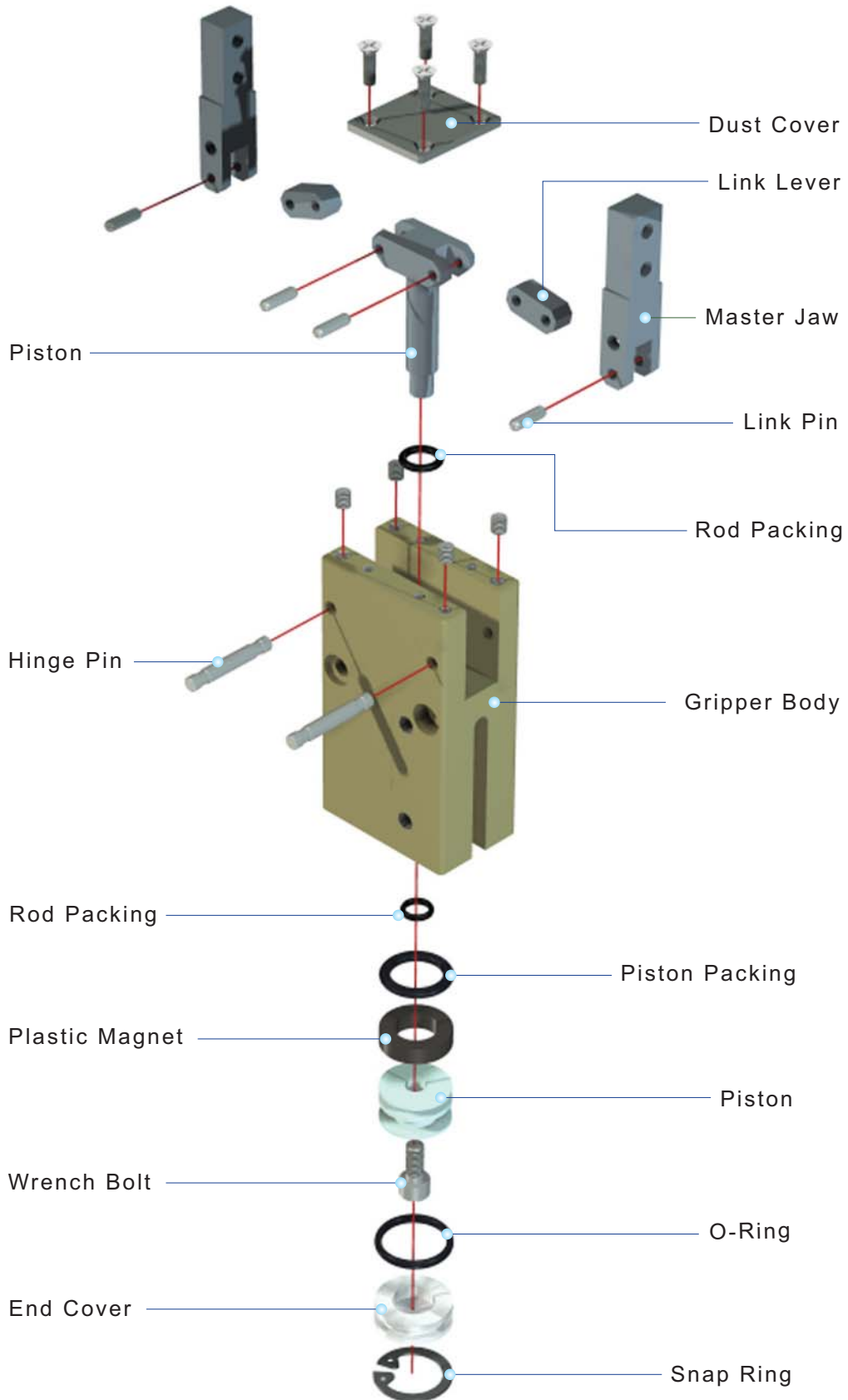


Crank lever type



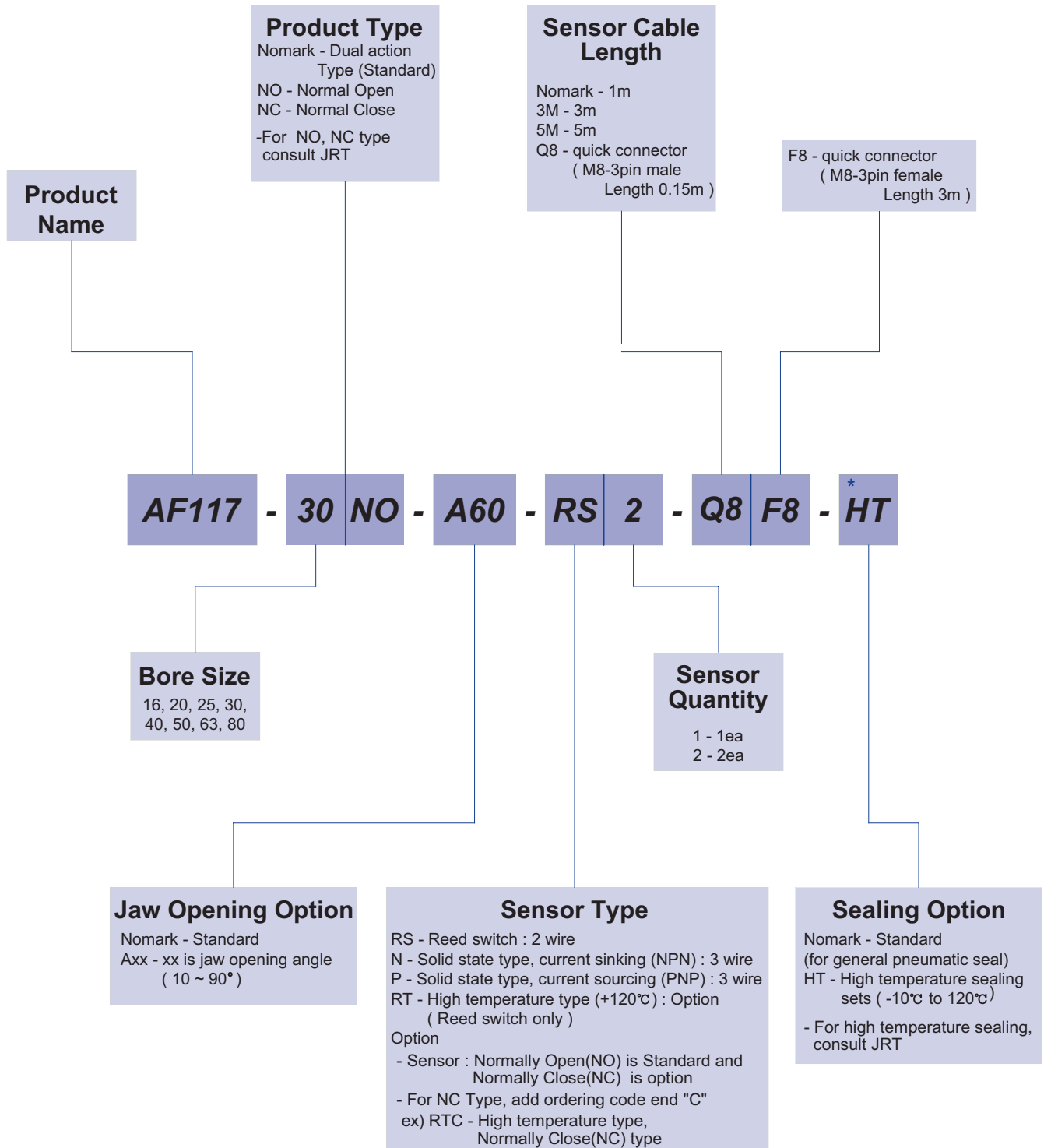
AF117

Exploded view



AF117

Ordering Code



The delivery of * mark option is longer than a standard, So inquire of JRT

AF117

Specification

P=Air Pressure[bar] , L=Exertion length[mm]

Products Name	AF117-16	AF117-20	AF117-25	AF117-30	Unit
Stroke	0 to 180	0 to 180	0 to 180	0 to 180	degree
Weight	0.21	0.27	0.38	0.69	kg
Max. length of attach	30	40	50	60	mm
Fitting size	M5	M5	M5	PF(G) 1/8	
Gripping force:Open	36.30(P-0.3)/L	51.01(P-0.5)/L	56.90(P-0.1)/L	63.77P/L	N
Gripping force:Close	31.39(P-0.3)/L	44.15(P-0.5)/L	51.01(P-0.3)/L	55.92P/L	
Air consumption per cycle	4.3	9.9	15.4	33.4	cm ³
Closing / Opening time	0.01 / 0.01	0.01 / 0.01	0.02 / 0.02	0.04 / 0.04	sec
* Repeat accuracy	0.02	0.02	0.02	0.02	mm
Max.cycle per minute	60	60	60	40	
Operating pressure	3~7				bar
Ambient temperature	-5 to 60				°C
Lubrication	Needless				

* After 100 consecutive strokes to end positions

P=Air Pressure[bar] , L=Exertion length[mm]

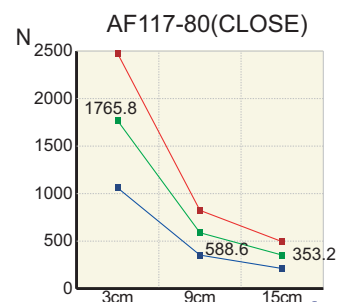
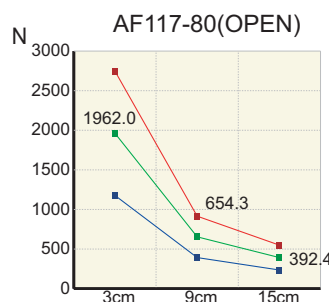
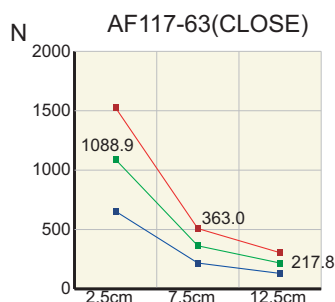
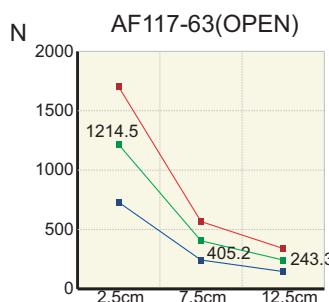
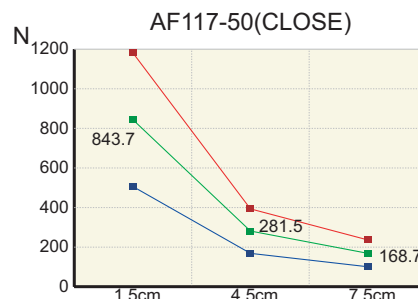
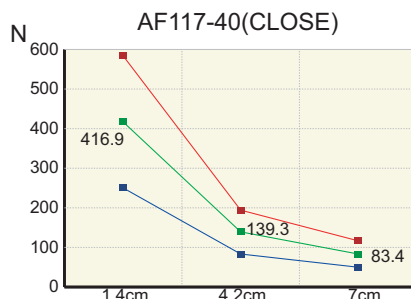
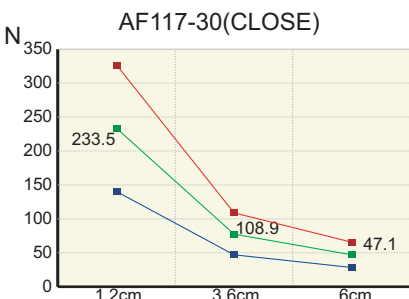
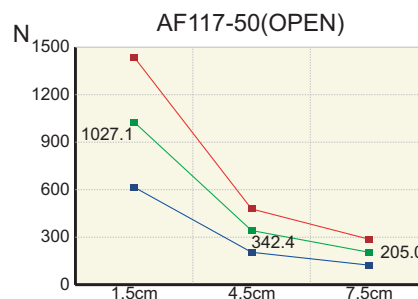
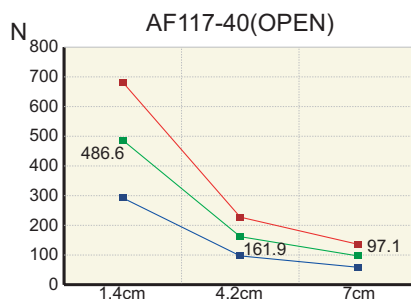
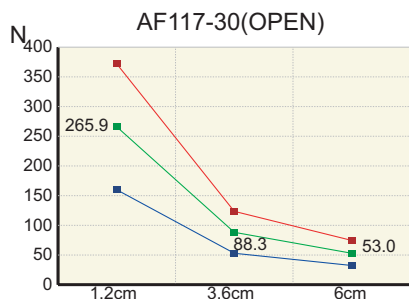
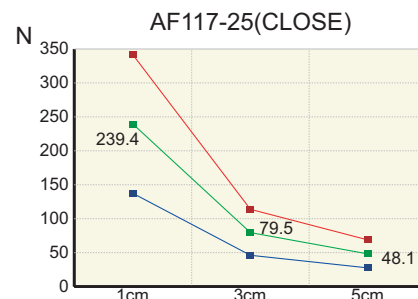
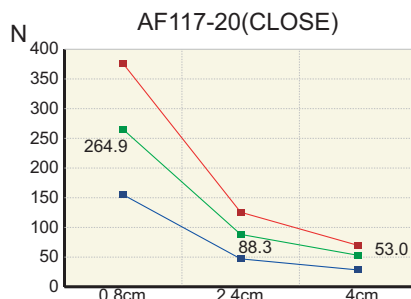
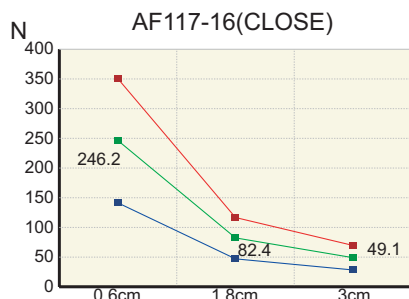
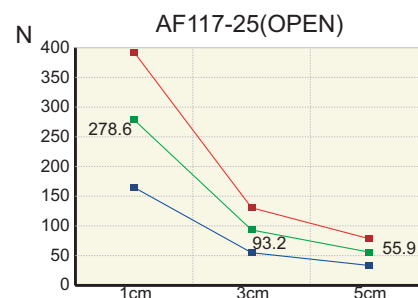
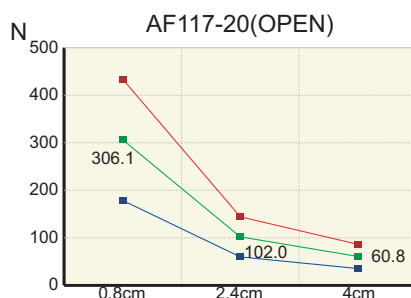
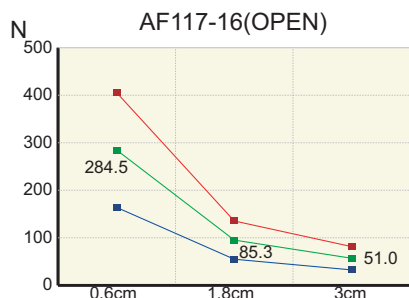
Products Name	AF117-40	AF117-50	AF117-63	AF117-80	Unit
Stroke	0 to 180	0 to 180	0 to 180	0 to 180	degree
Weight	1.2	2.17	3.5	4.7	kg
Max. length of attach	70	75	125	150	mm
Fitting size	PF(G) 1/8	PF(G) 1/8	PF(G) 1/8	PF(G) 1/8	
Gripping force:Open	136.36P/L	308.03P/L	607.24P/L	1177.20P/L	N
Gripping force:Close	116.74P/L	253.10P/L	544.46P/L	1059.48P/L	
Air consumption per cycle	68.4	148.1	301.9	583.3	cm ³
Closing / Opening time	0.07 / 0.07	0.15 / 0.15	0.30 / 0.30	0.60 / 0.60	sec
* Repeat accuracy	0.02	0.02	0.03	0.05	mm
Max.cycle per minute	40	30	30	20	
Operating pressure	3~7				bar
Ambient temperature	-5 to 60				°C
Lubrication	Needless				

* After 100 consecutive strokes to end positions

AF117

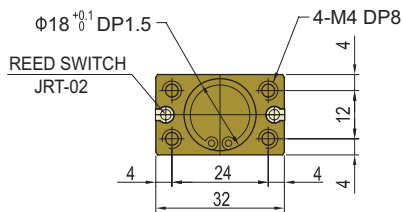
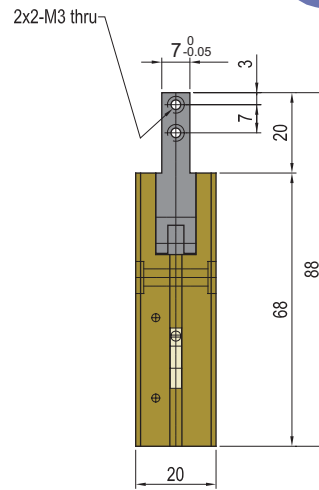
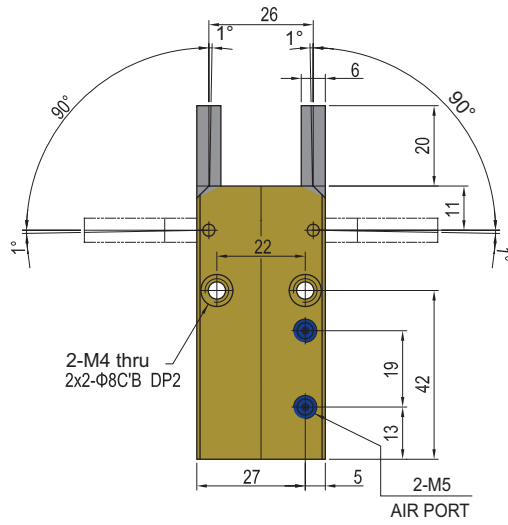
Gripping Force per exertion length

Legend : — 7[bar] — 5[bar] — 3[bar]

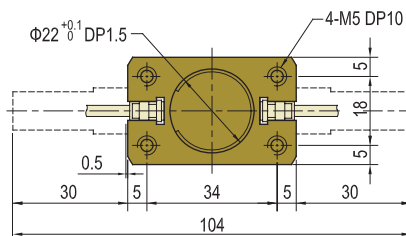
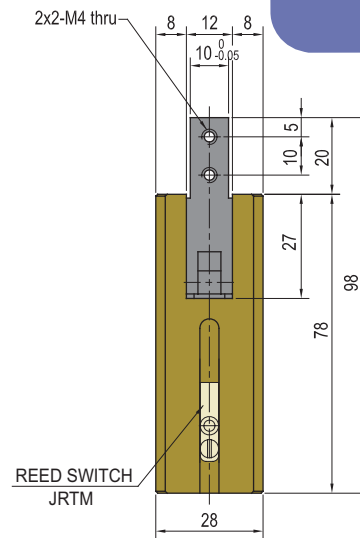
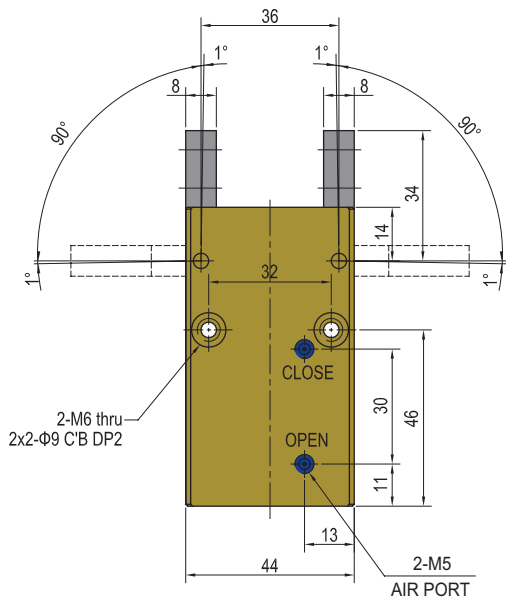


AF117

AF117-16

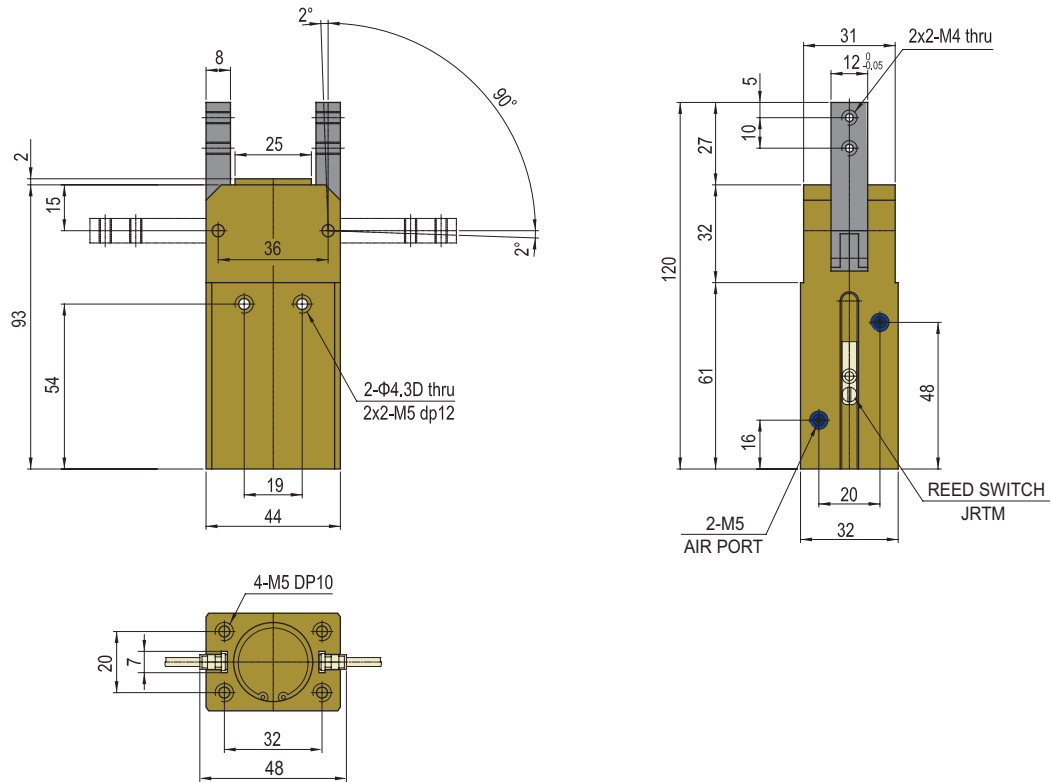


AF117-20

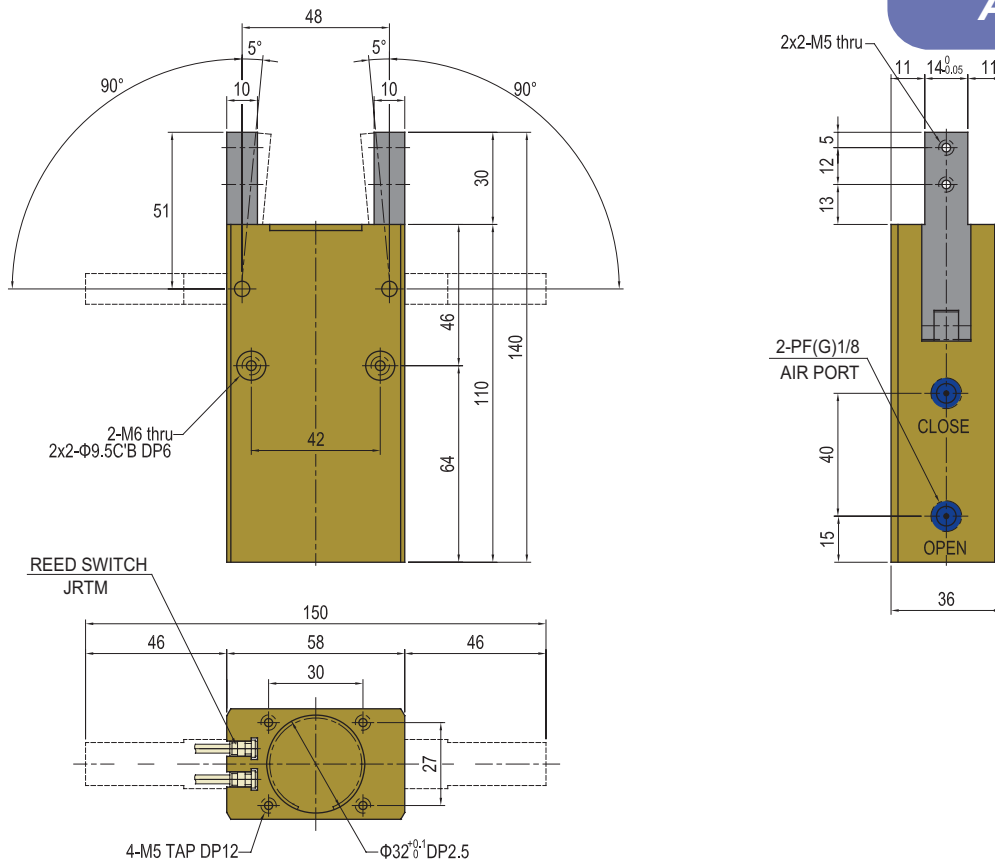


AF117

AF117-25

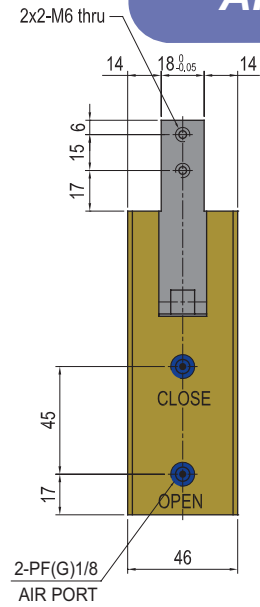
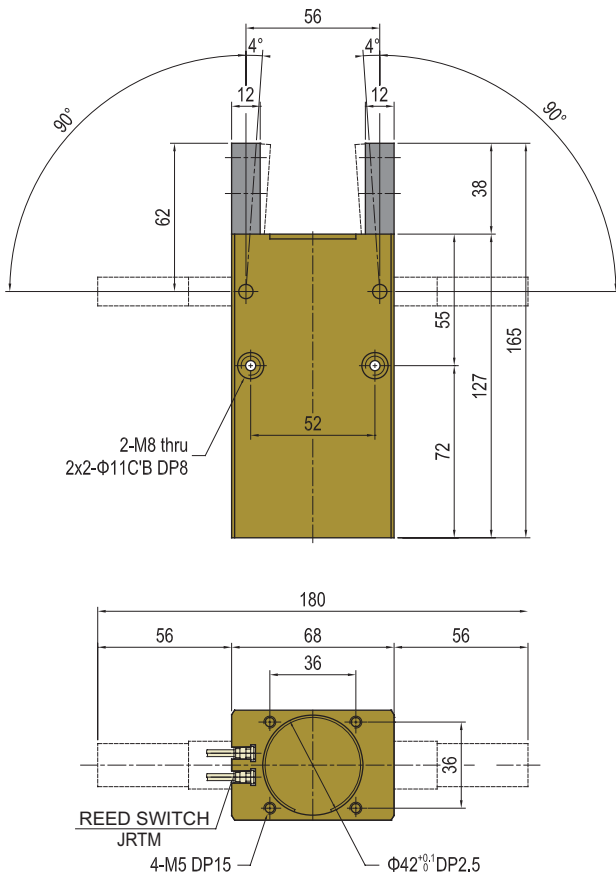


AF117-30

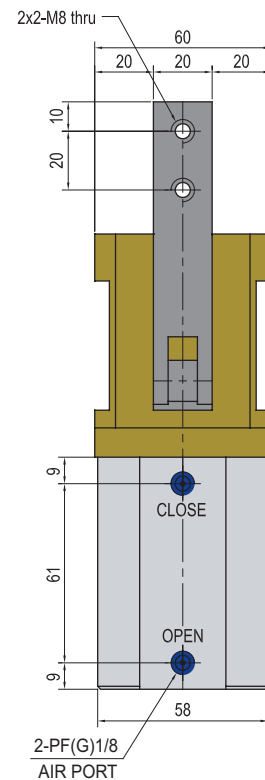
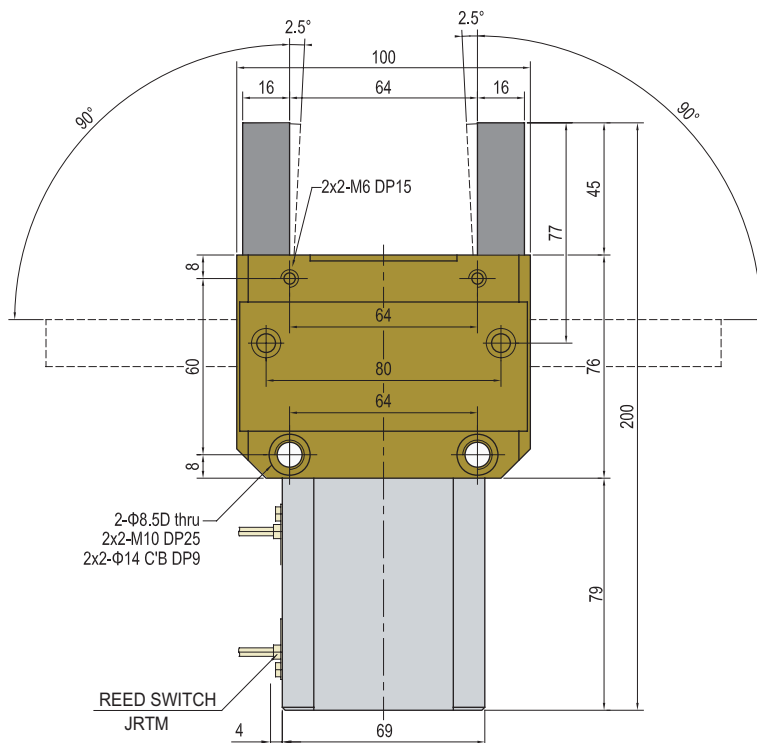


AF117

AF117-40

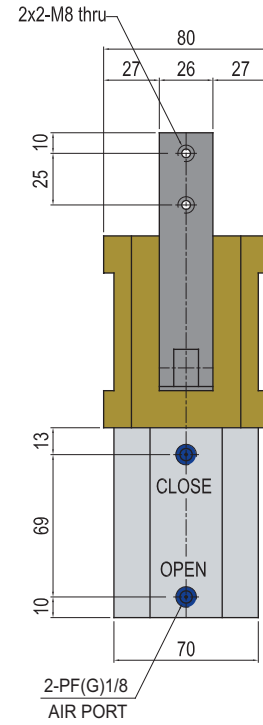
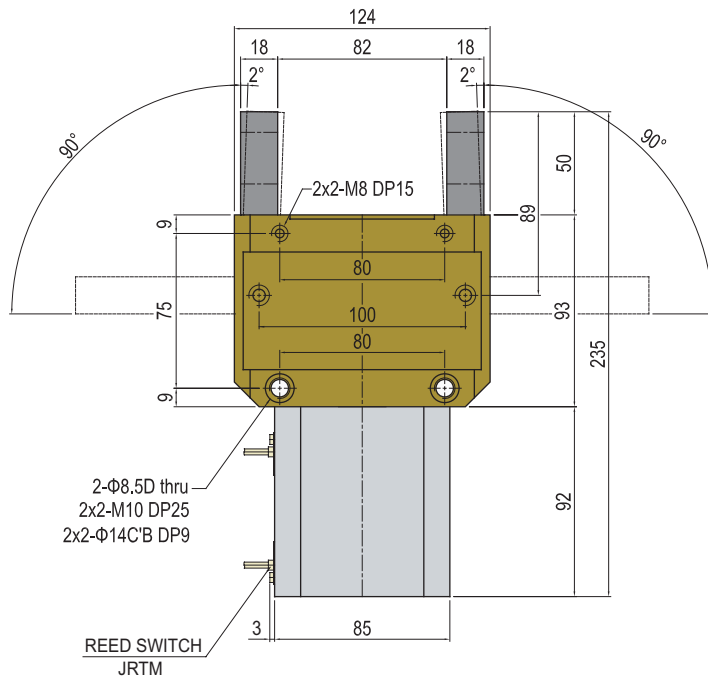


AF117-50

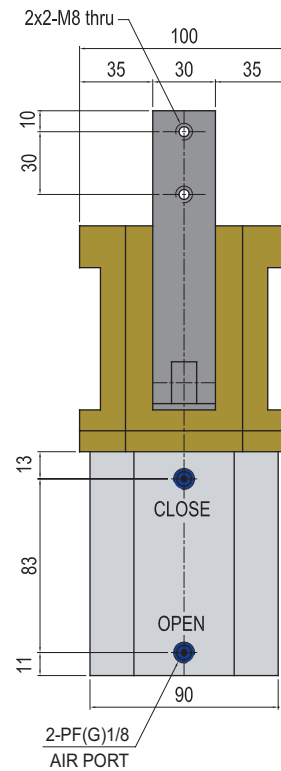
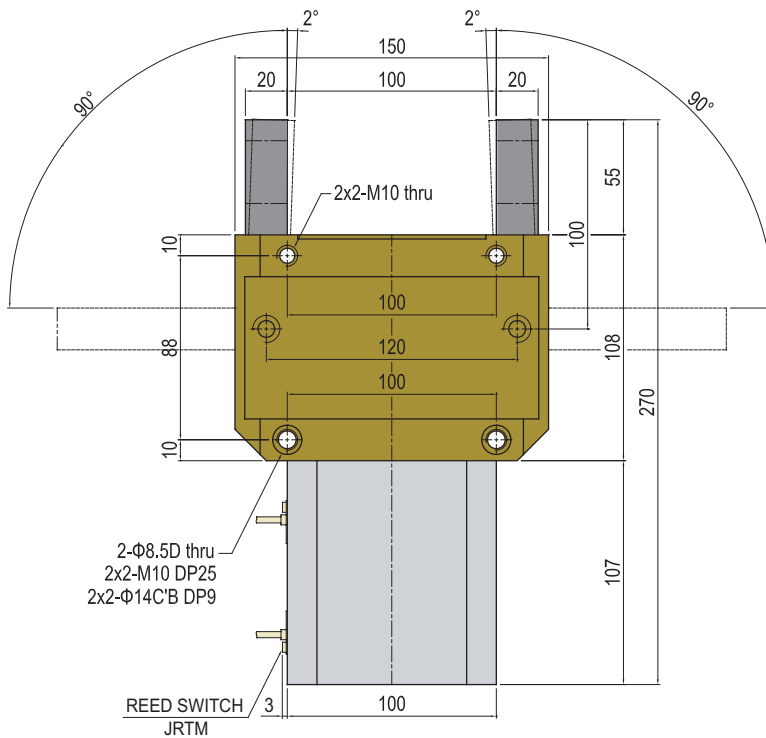


AF117

AF117-63



AF117-80



Notes

A large rectangular area filled with a grid of dashed lines, intended for writing notes. The grid consists of 20 columns and 30 rows of squares.