

Gripper

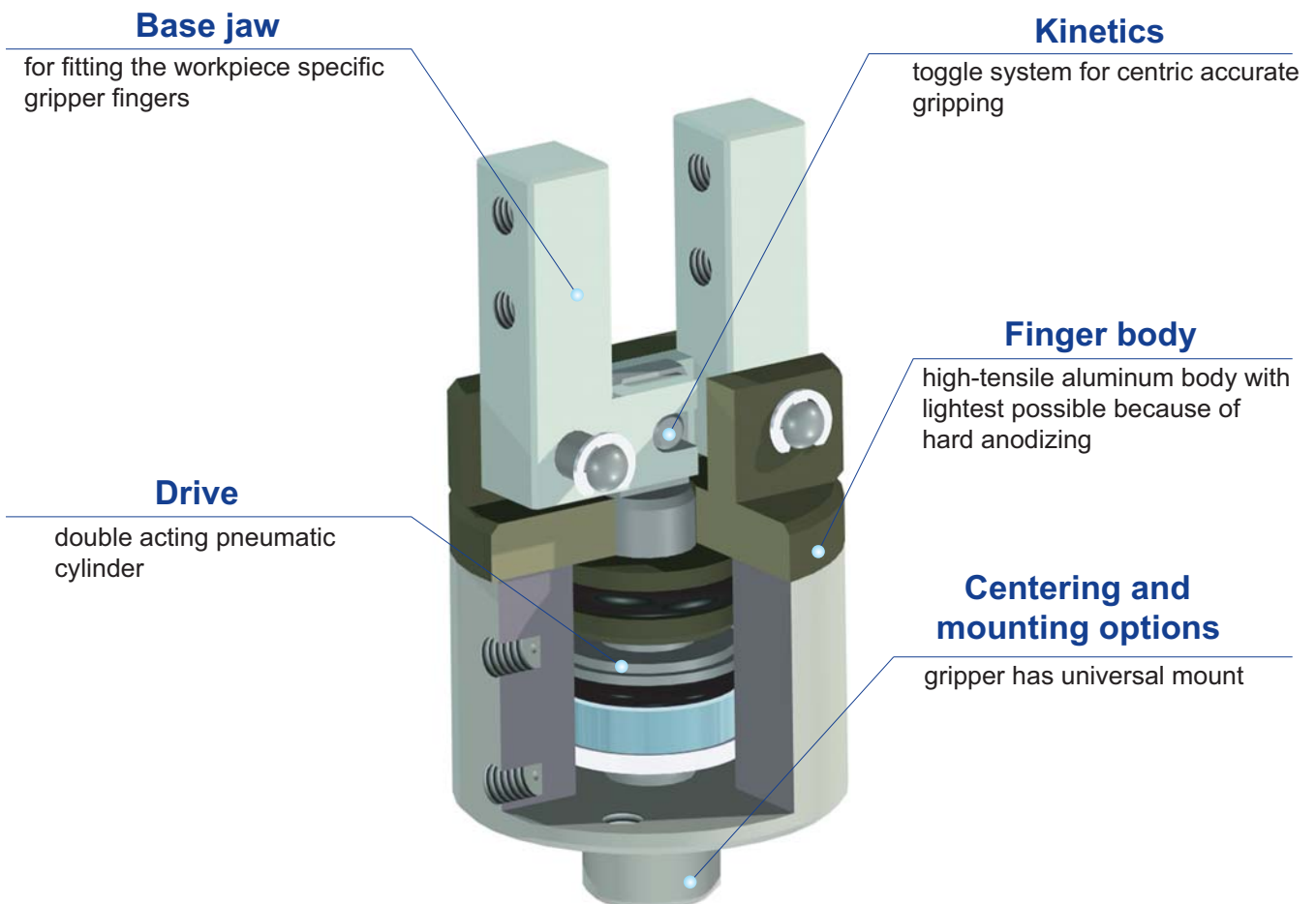
AF03-20,30,40

Character

- Angular type by link lever driving unit
- Extensive utility in general structure
- Magnetic sensor is available for open-close sensing
- Sensor is not available at Normally Open type, Normally Close type

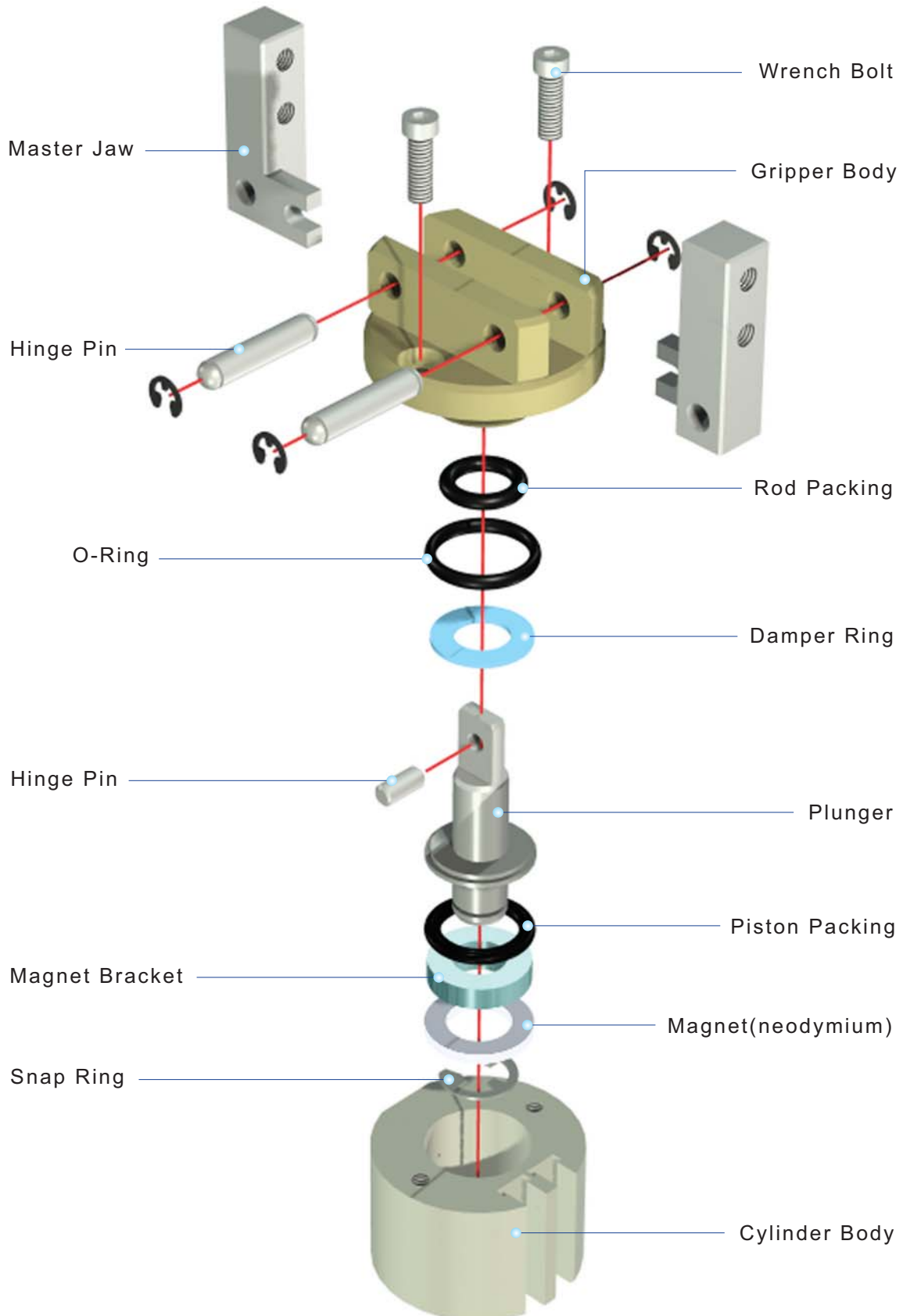


Link lever type



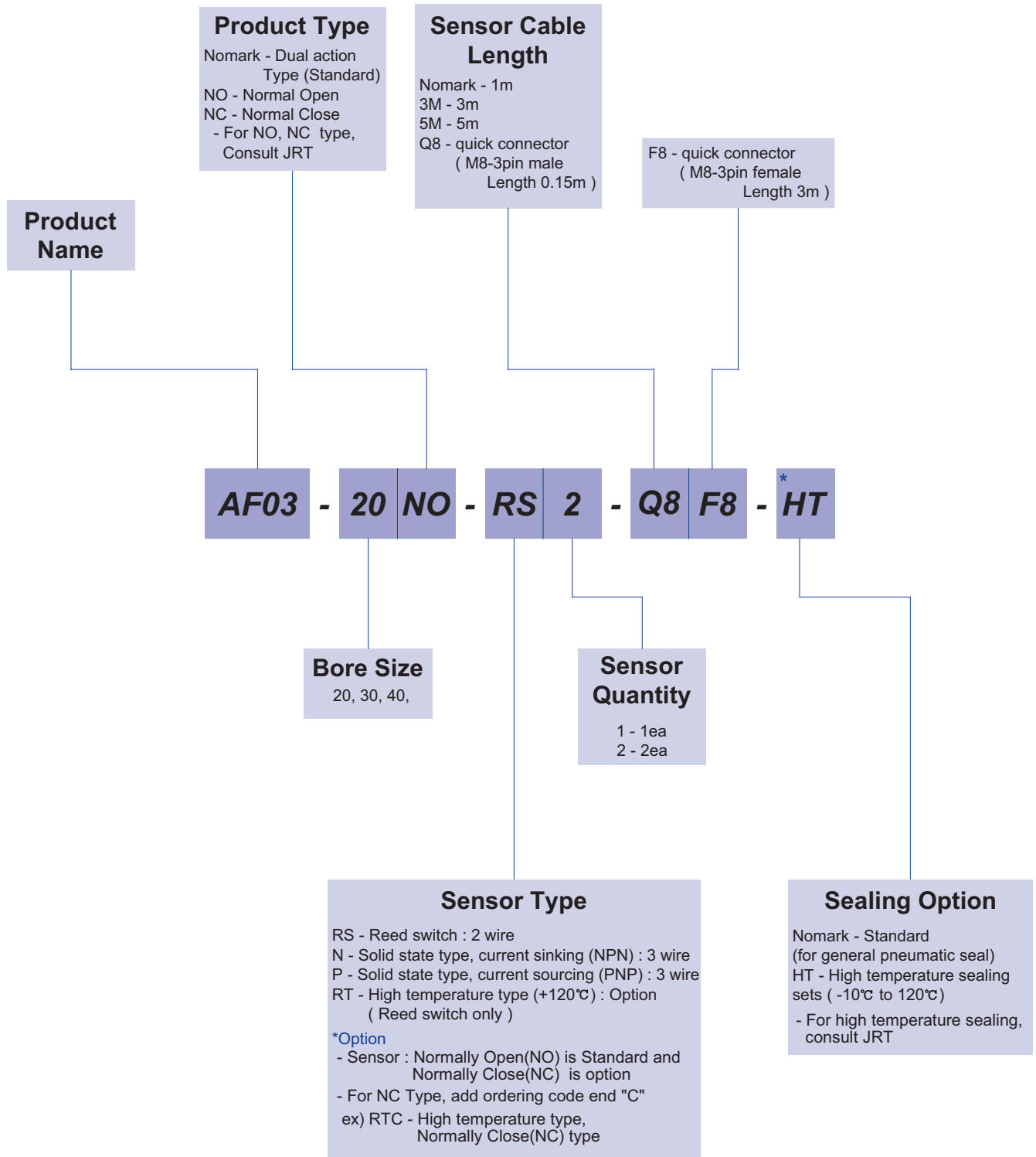
AF03

Exploded view



AF03

Ordering Code



The delivery of * mark option is longer than a standard, So inquire of JRT

AF03

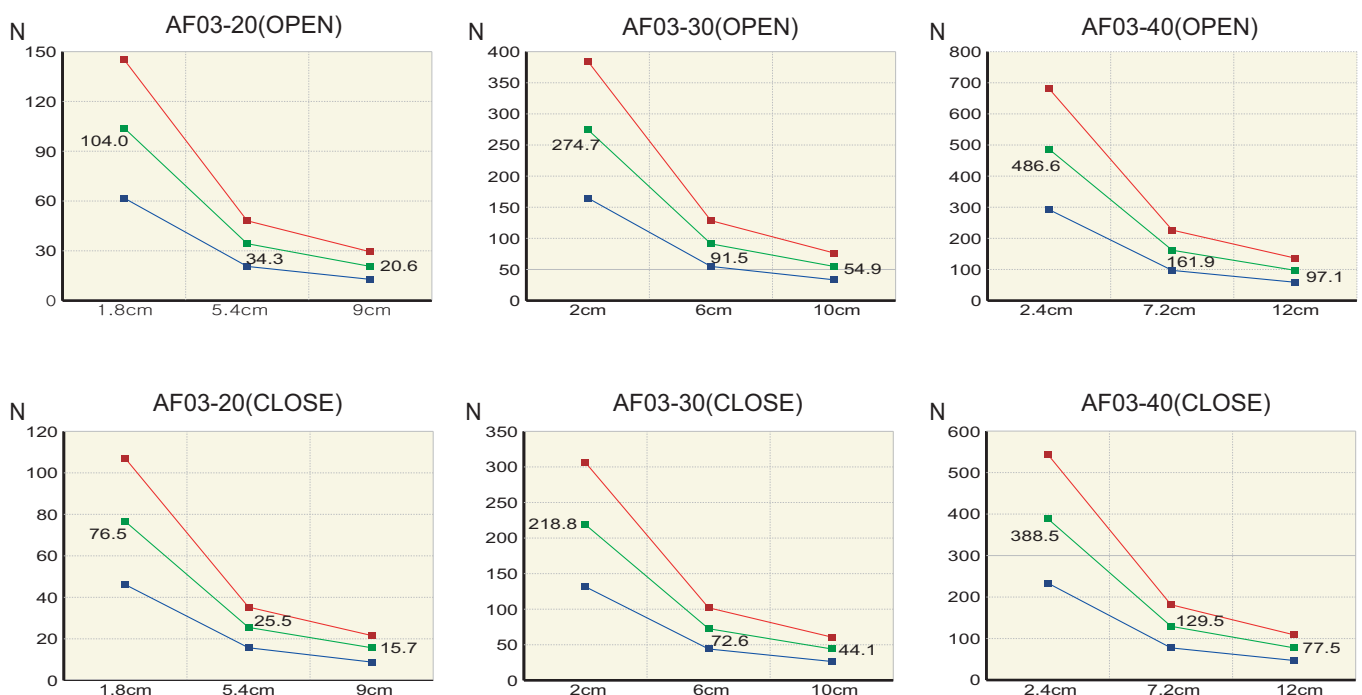
Specification

| Products Name | AF03-20 | AF03-30 | AF03-40 | Unit |
|---------------------------|-------------|-------------|-------------|-----------------|
| Working angle | -4 to 19 | -5 to 20 | -5 to 25 | degree |
| Weight | 0.19 | 0.41 | 0.79 | kg |
| Max. length of attach | 90 | 100 | 120 | mm |
| Fitting size | M5 | PF(G) 1/8 | PF(G) 1/8 | |
| Gripping force:Open | 37.28P/L | 109.87P/L | 233.48P/L | N |
| Gripping force:Close | 27.47P/L | 87.31P/L | 186.39P/L | N |
| Air consumption per cycle | 1.1 | 3.6 | 8.8 | cm ³ |
| Closing / Opening time | 0.01 / 0.01 | 0.01 / 0.01 | 0.01 / 0.01 | sec |
| * Repeat accuracy | 0.02 | 0.02 | 0.02 | mm |
| Max.cycle per minute | 60 | 40 | 40 | |
| Operating pressure | 3~7 | | | bar |
| Ambient temperature | -5 to 60 | | | °C |
| Lubrication | Needless | | | |

* After 100 consecutive strokes to end positions

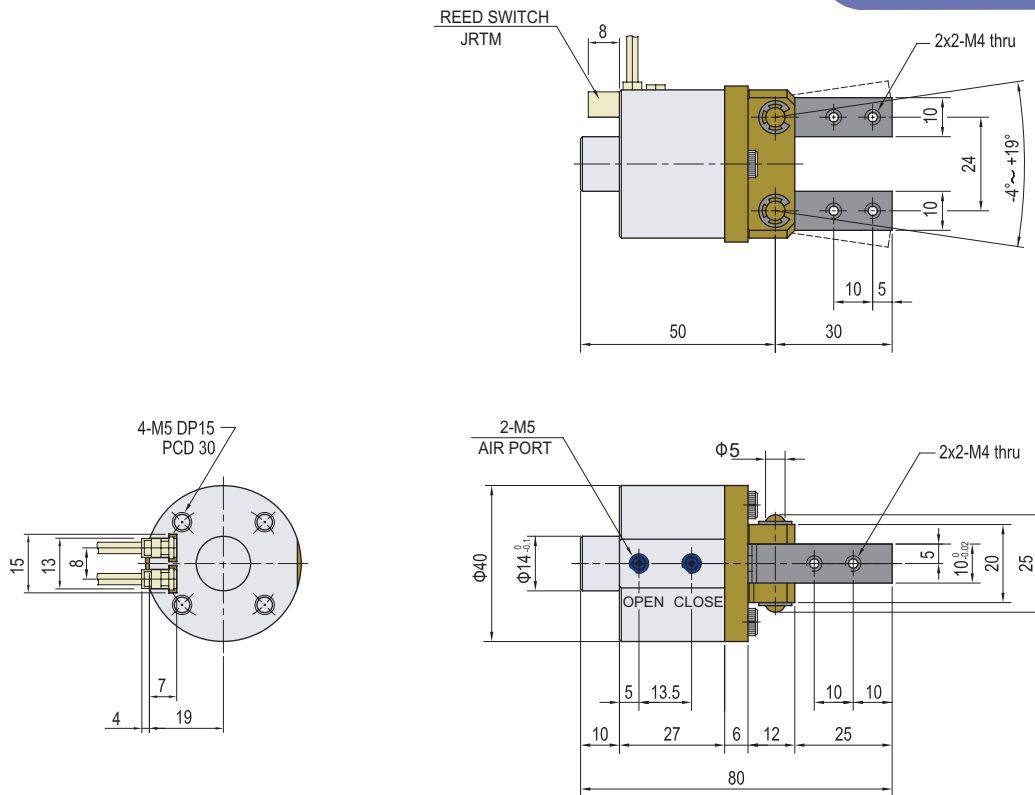
Gripping Force per exertion length

Legend : —■ 7[bar] —■ 5[bar] —■ 3[bar]

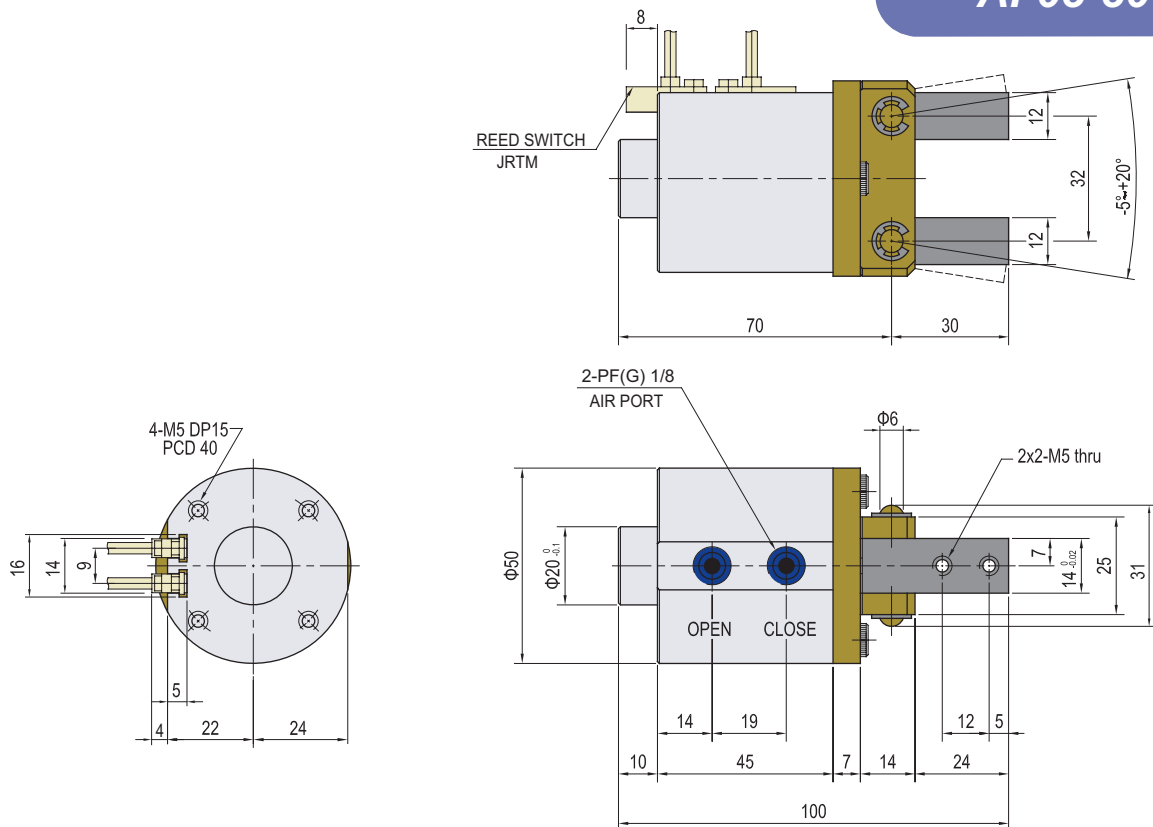


AF03

AF03-20

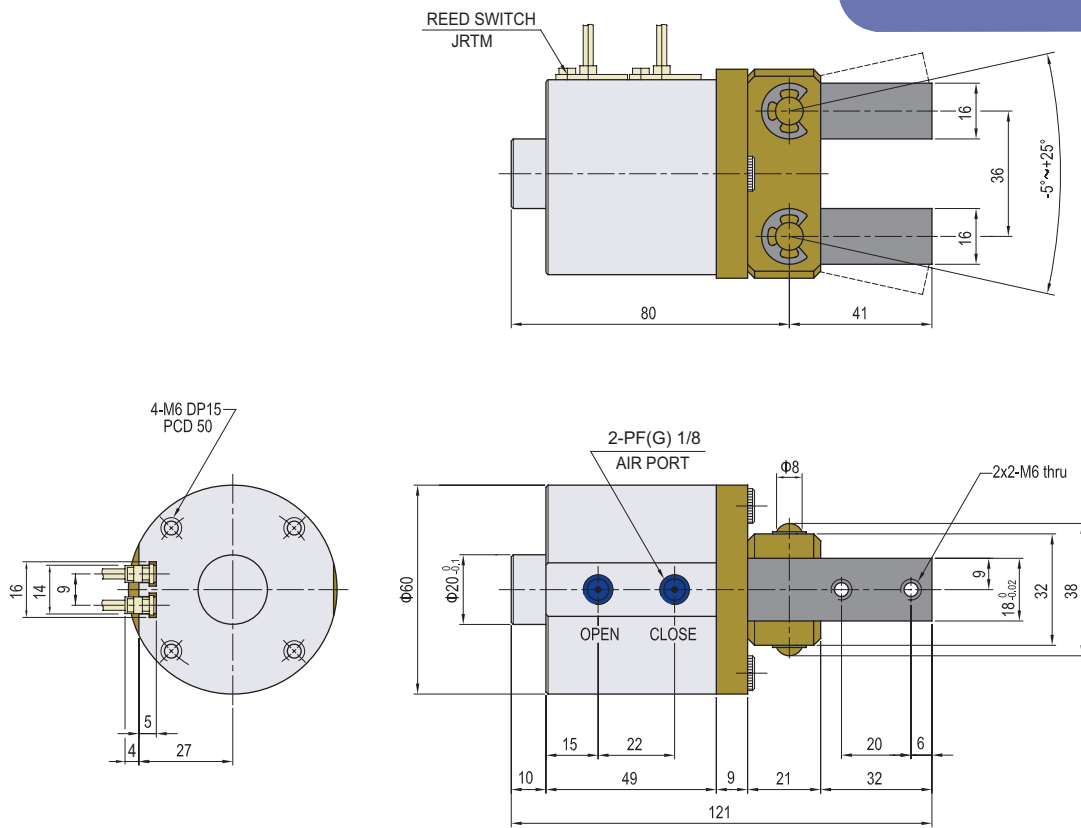


AF03-30



AF03

AF03-40



Note