



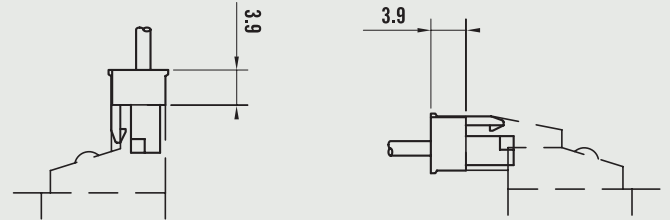
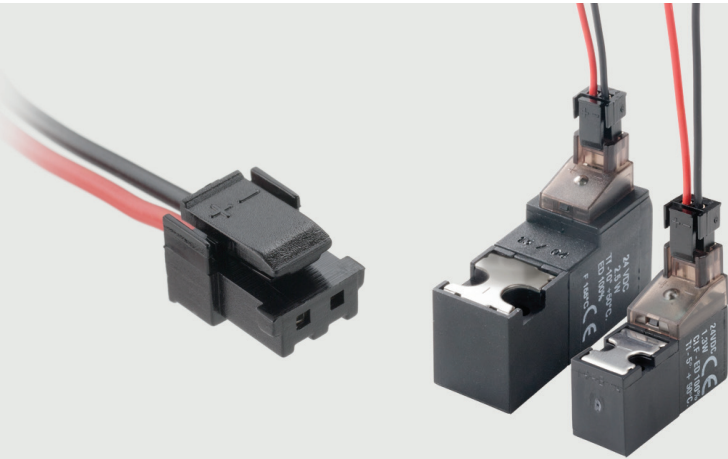
ACCESSORIES

10 mm

15 mm

ITALIAN QUALITY AND FLEXIBILITY

CONNECTOR FOR 10 / 15 mm

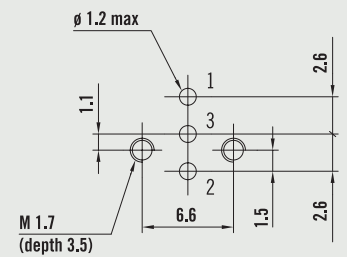
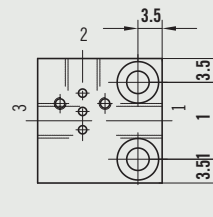
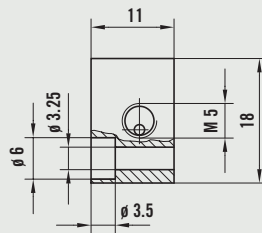


ORDERING CODE

371- 300
500
1000

Cable L = 300 mm
Cable L = 500 mm
Cable L = 1000 mm

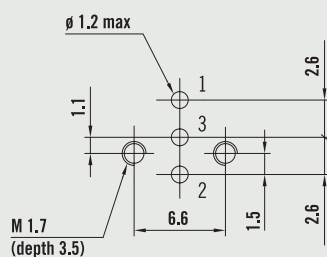
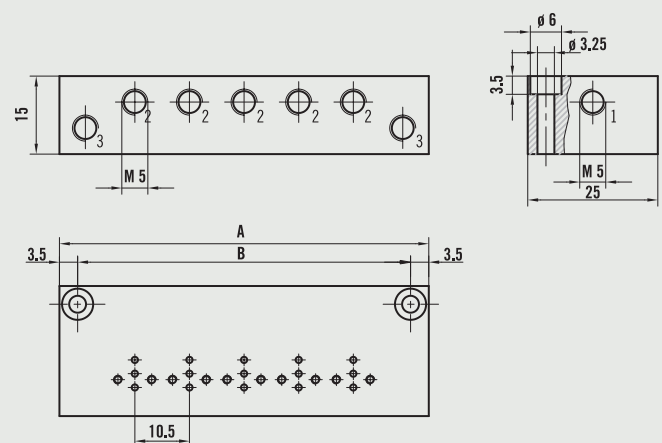
INDIVIDUAL BASE 10 mm 3/2 STD



ORDERING CODE 395-01

Weight 10 gr.

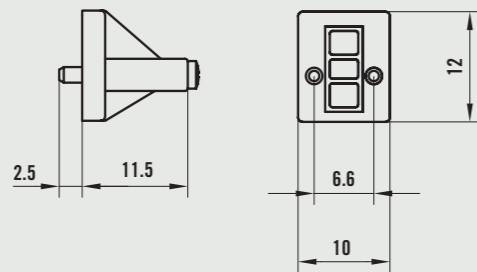
MULTIPLE BASES 10 mm 3/2 STD



ORDERING CODE 395- ____ No. Places

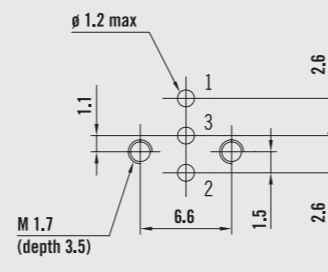
No. Places	02	03	04	05	06	07	08	09	10
A (mm)	39.5	50	60.5	71	81.5	92	102.5	113	123.5
B (mm)	32.5	43	53.5	64	74.5	85	95.5	106	116.5
Weight (gr.)	43	54	65	76	87	98	109	120	131

CLOSING PLATE 10 mm 3/2 STD

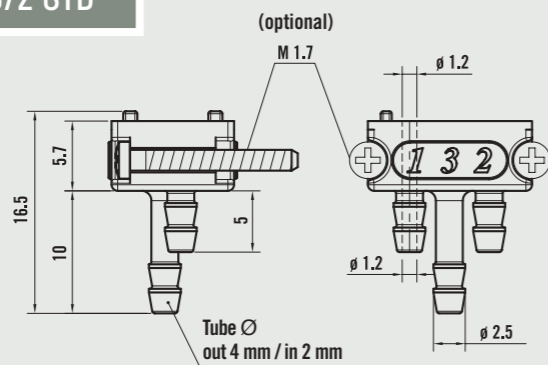


2 x M1.7 x 14 fixing screws and gasket included

ORDERING CODE 395-00



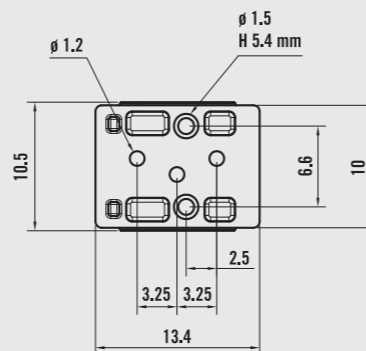
PA66 INDIVIDUAL BASE 10 mm 3/2 STD



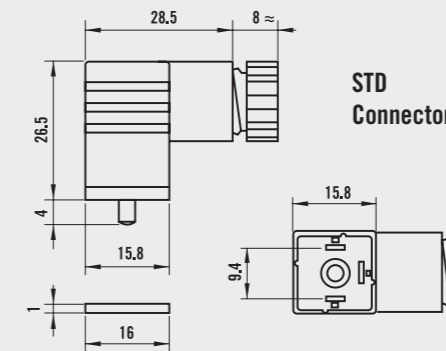
Viti/Screws 2 x F1.6 x 16 self-tapping included (valve fixing)

ORDERING CODE BP10-3SS without M1.7 x 14 screws for base fixing

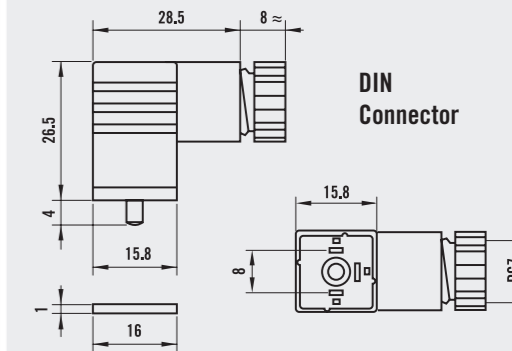
ORDERING CODE BP10-3SV with M1.7 x 14 screws for base fixing



CONNECTORS 15 mm



STD Connector

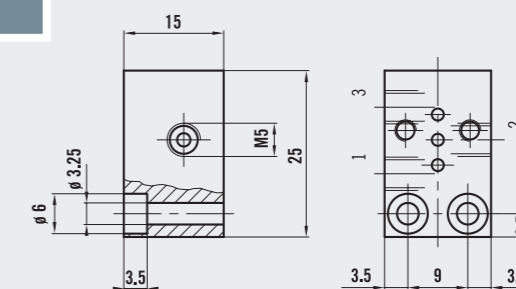
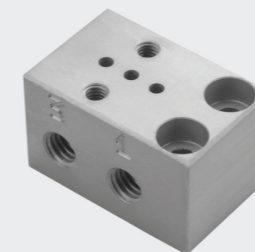


DIN Connector

ORDERING CODES 315-11-00 Standard
315-11-0 L Led
1 = 24 Vdc
2 = 110 V 50/60 Hz
3 = 220 V 50/60 Hz

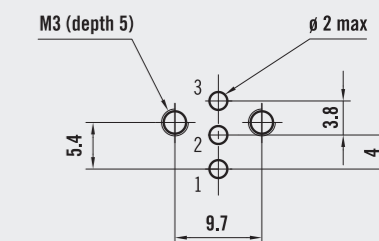
315-12-00 for faston DIN
315-12-0 L for faston DIN with Led
1 = 24 Vdc
2 = 110 V 50/60 Hz
3 = 220 V 50/60 Hz

INDIVIDUAL BASE 15 mm 3/2 STD

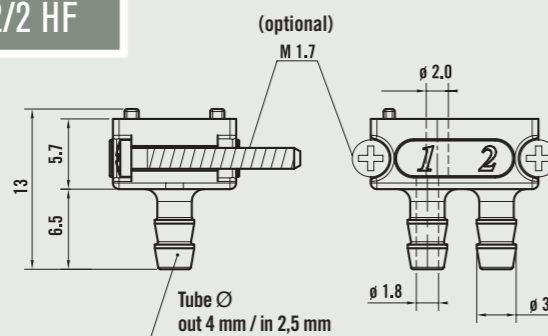


ORDERING CODE 355-01

Weight 18 gr.



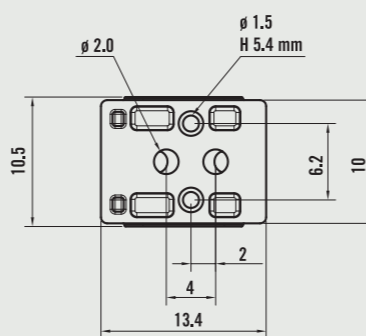
PA66 INDIVIDUAL BASE 10 mm 2/2 HF



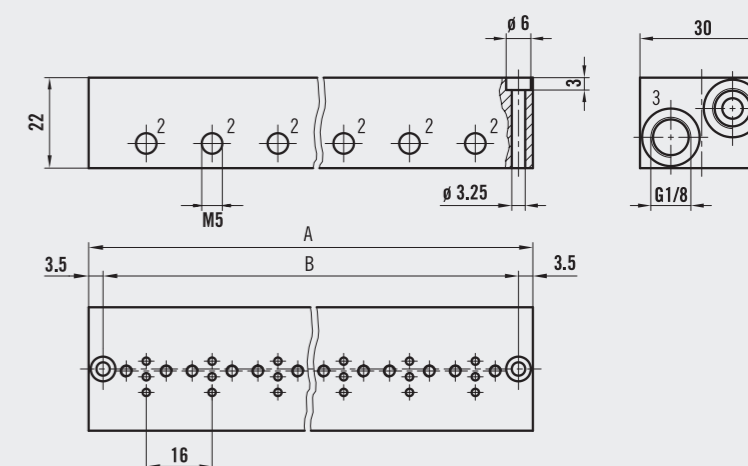
Viti/Screws 2 x F1.6 x 16 self-tapping included (valve fixing)

ORDERING CODE BP10-2HS without M1.7 x 14 screws for base fixing

ORDERING CODE BP10-2HV with M1.7 x 14 screws for base fixing



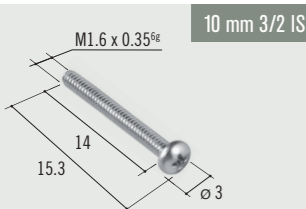
MULTIPLE BASES 15 mm 3/2 STD



ORDERING CODE 355-___ No. Places

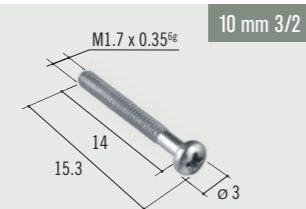
No. Places	02	03	04	05	06	07	08	09	10
A (mm)	44	60	76	92	108	124	140	156	172
B (mm)	37	53	69	85	101	117	133	149	165
Weight (gr.)	66	92	116	141	165	190	216	242	266

VITE/SCREW M1.6 x 14



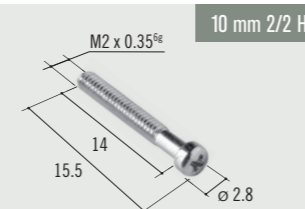
10 mm 3/2 ISO

VITE/SCREW M1.7 x 14



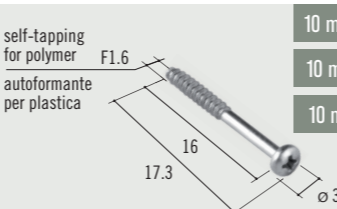
10 mm 3/2 STD

VITE/SCREW M2 x 14



10 mm 2/2 HF

VITE/SCREW F1.6 x 16

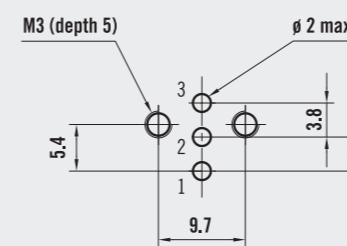


10 mm 3/2 STD

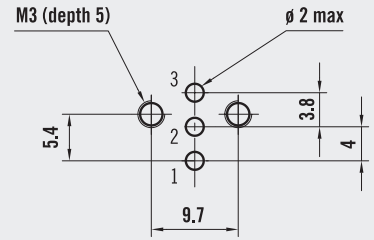
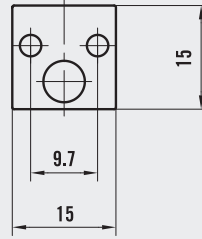
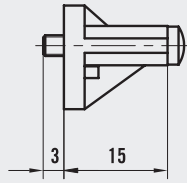
10 mm 2/2 ISO

10 mm 2/2 HF

self-tapping for polymer
autofornante per plastica



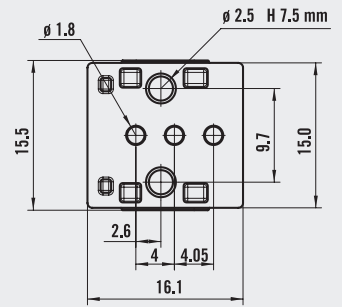
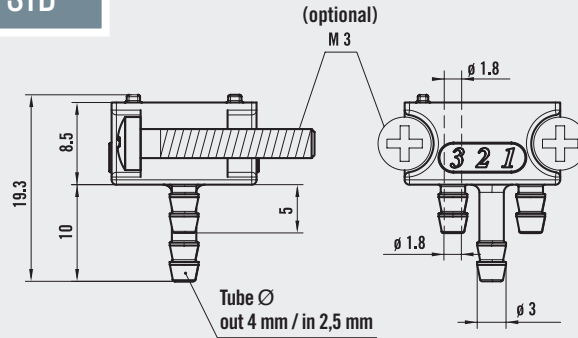
CLOSING PLATE 15 mm 3/2 STD



2 x M3 x 18 fixing screws and gasket included

ORDERING CODE 355-00

PA66 INDIVIDUAL BASE 15 mm 3/2 STD



Viti/Screws 2 x F3 x 20 self-tapping included (valve fixing)

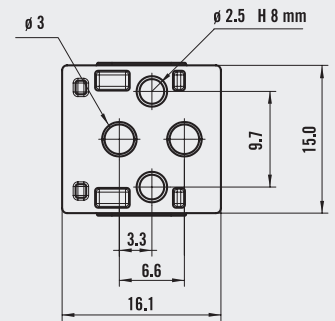
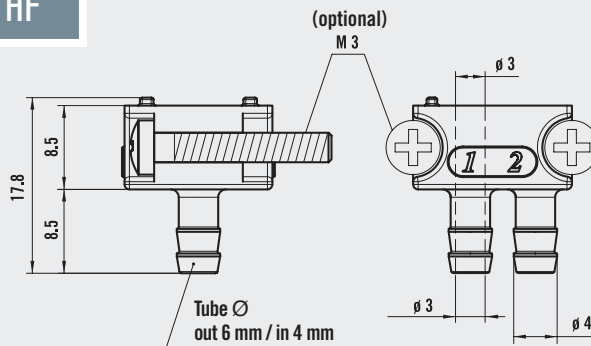
ORDERING CODE BP15-3SS

without M3 x 18 screws for base fixing

ORDERING CODE BP15-3SV

with M3 x 18 screws for base fixing

PA66 INDIVIDUAL BASE 15 mm 2/2 HF



Viti/Screws 2 x F3 x 20 self-tapping included (valve fixing)

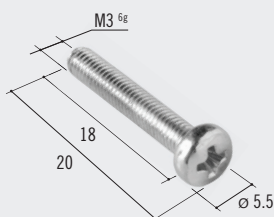
ORDERING CODE BP15-2HS

without M3 x 18 screws for base fixing

ORDERING CODE BP15-2HV

with M3 x 18 screws for base fixing

VITE/SCREW M3 x 18



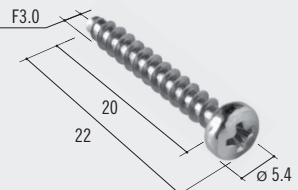
15 mm 2/2 HF

15 mm 3/2 STD

ORDERING CODE 002/031

VITE/SCREW F3 x 20

self-tapping for polymer
autoformante per plastica



15 mm 2/2 HF

15 mm 3/2 STD

ORDERING CODE 002/031-PVC