



**BOSCHERT**

*Das Original!*

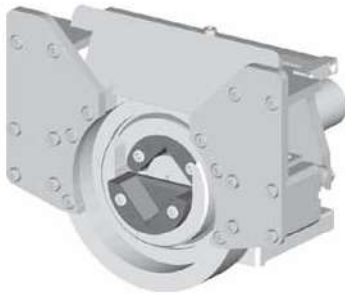


?

**News**



## 4.00 Overview pneumatic Safety Chucks



**A Serie**

<i>Model</i>	<i>max. beam weight / kg</i>	<i>max. torque / Nm</i>	<i>Standard square bar/ mm</i>	<i>Type VT</i>	<i>Info</i>
<b>A40</b>	1600	350	40	x	4.20
<b>A50</b>	2800	1100	50	x	4.30
<b>A80</b>	7000	2350	80	x	4.40



**P Serie**

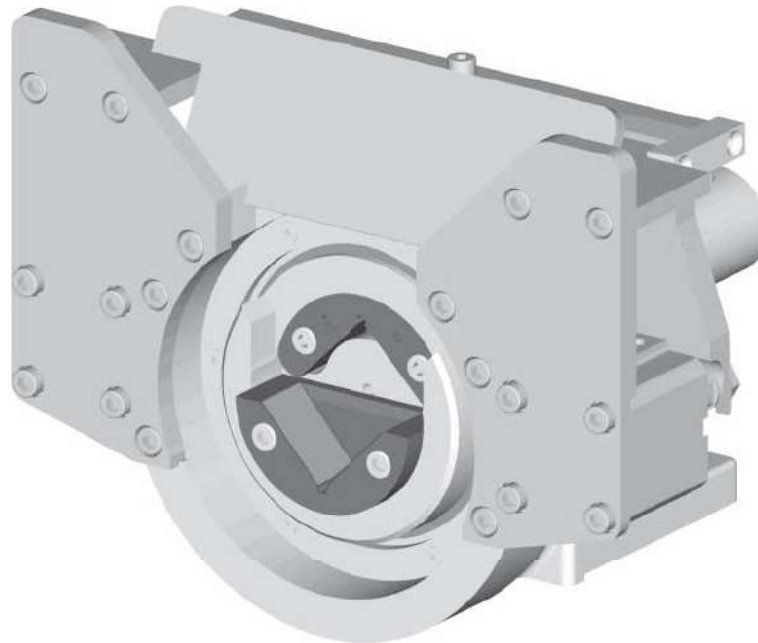
<i>Model</i>	<i>max. beam weight / kg</i>	<i>max. torque / Nm</i>	<i>Standard square bar/ mm</i>	<i>Type VT</i>	<i>Info</i>
<b>P40</b>	1600	350	40	x	4.60
<b>P50</b>	2800	1100	50	x	4.70






## 4.20 Boschert-Chuck A40



- A40 STO** *Boschert* automatic chuck, foot mounted without shaft end  
**A40 STW** *Boschert* automatic chuck, foot mounted with shaft end  
**A40 FLO** *Boschert* automatic chuck, flange mounted without shaft end  
**A40 FLW** *Boschert* automatic chuck, flange mounted with shaft end



- Standard Square bar:**  40 mm (1.5748")  
**max. beam weight:**  1600 kg (3530 lbs)  
**max. torque:**  350 Nm (258.1 ft/lb)

### Please note:

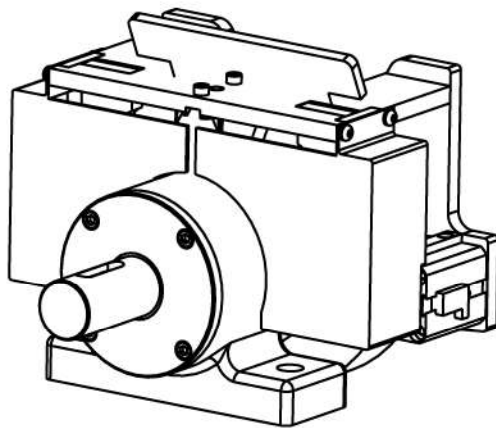
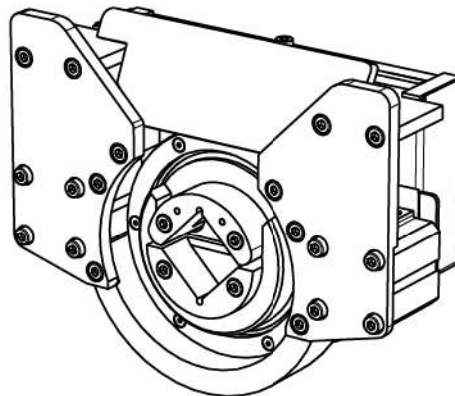
This chuck is a direct retrofit for the chuck 30-40 type C or 30-40 type VT.

		Info
Type:	VT	4.44
Journal shaft type VT:	VT2	4.23
Shaft end:	standard	4.23
Options:	proximity sensor	4.23
Add. parts:	brakes	6.00
	clutches	7.00

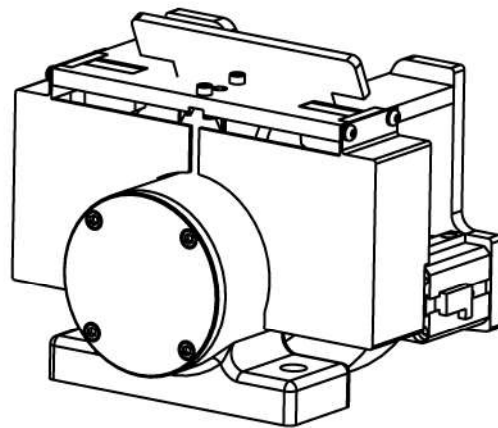
# Boschert-Chuck A40 foot mounted



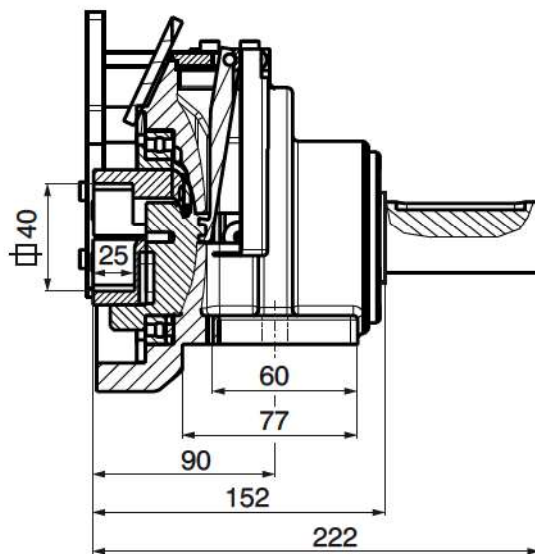
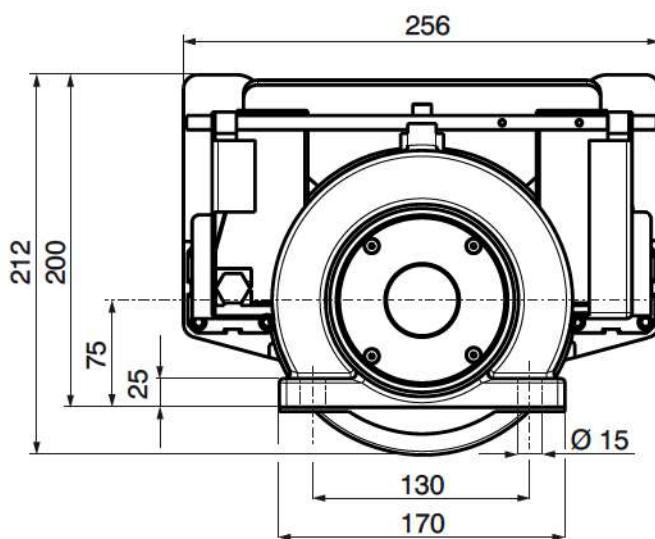
Boschert-Chuck A40



STW A40  
chuck with shaft end



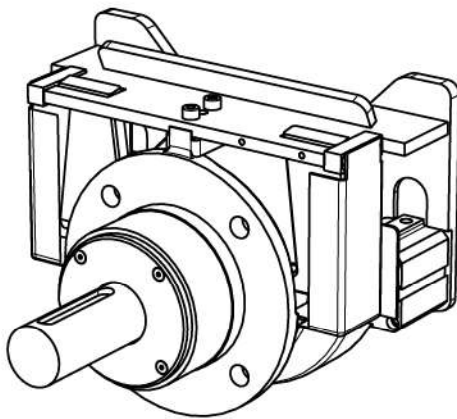
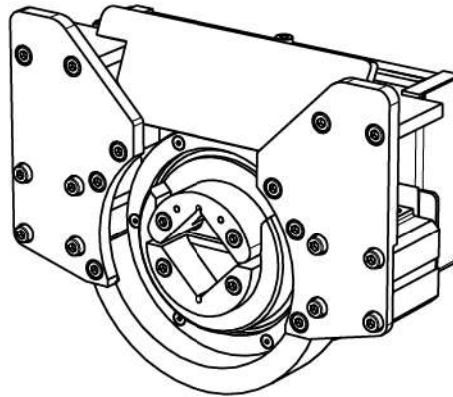
STO A40  
chuck without shaft end



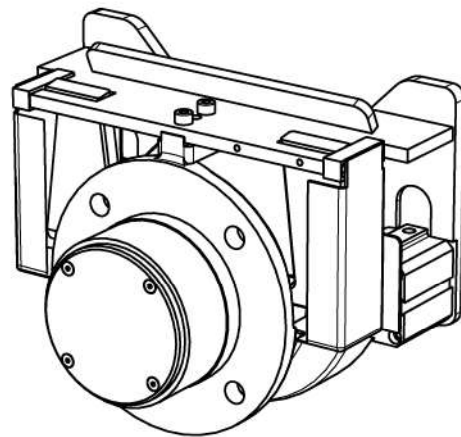
Shaft end details page 4.23

# Boschert-Chuck A40 flange mounted

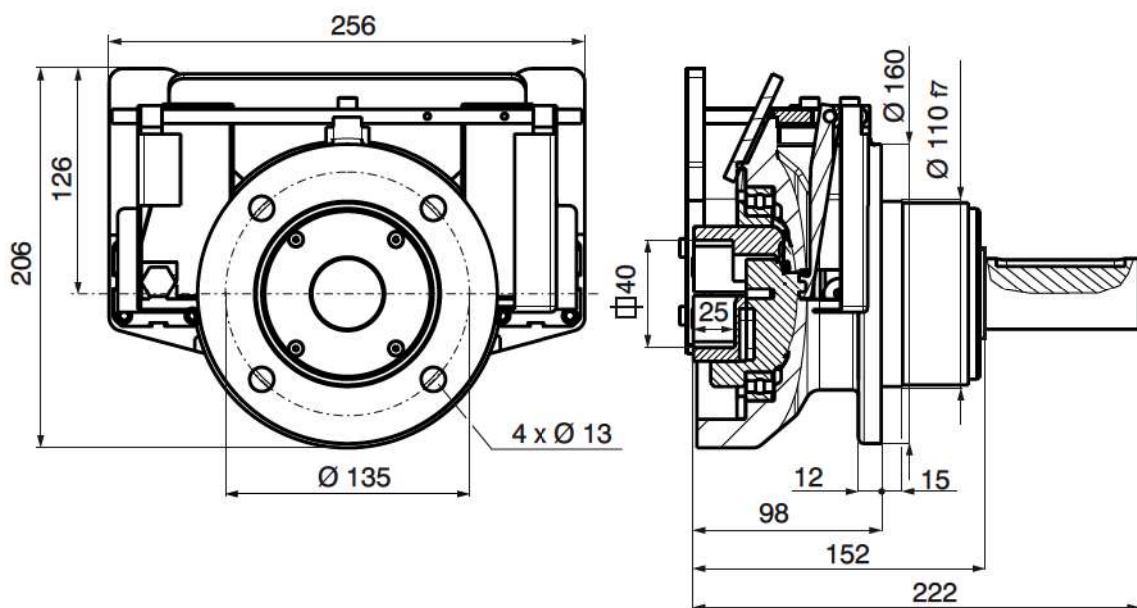
Boschert-Chuck A40



FLW A40  
chuck with shaft end



FLO A40  
chuck without shaft end

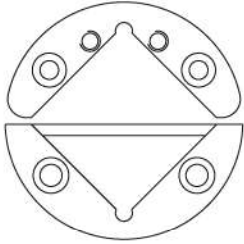


Shaft end details page 4.23



# Boschert-Chuck A40 options

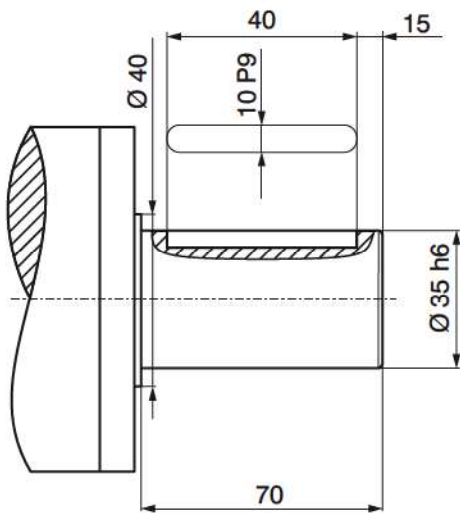
## Journal shaft type



VT 2

Info: 11.10

## Shaft end

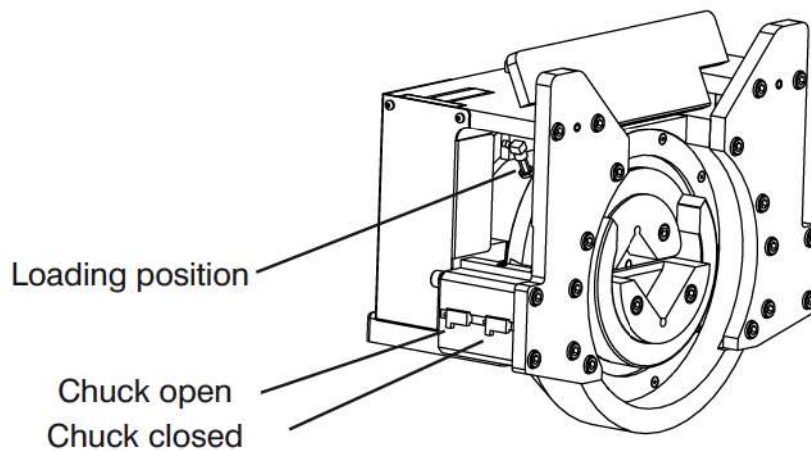


Standard shaft end

Special shaft ends per customer request

Max. shaft-dia.: Ø 40 mm  
(special shaft without stop)

## Proximity sensor



## 4.30 Boschert-Chuck A50



**A50 STO**

**Boschert** automatic chuck, foot mounted without shaft end

**A50 STW**

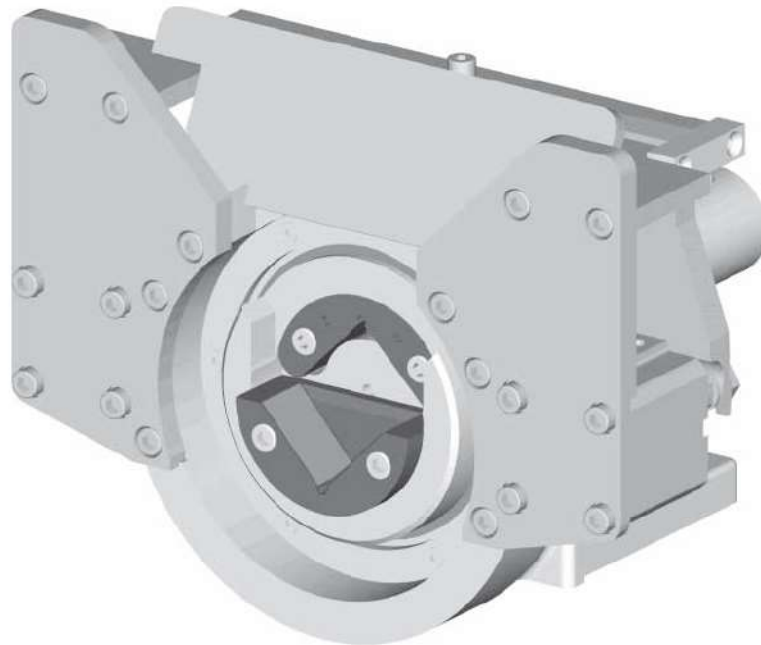
**Boschert** automatic chuck, foot mounted with shaft end

**A50 FLO**

**Boschert** automatic chuck, flange mounted without shaft end

**A50 FLW**

**Boschert** automatic chuck, flange mounted with shaft end



**Standard Square bar:**  50 mm (1.9658")

**max. Beam weight:**  2800 kg (6170 lbs)

**max. torque:**  1100 Nm (800 ft/lb)

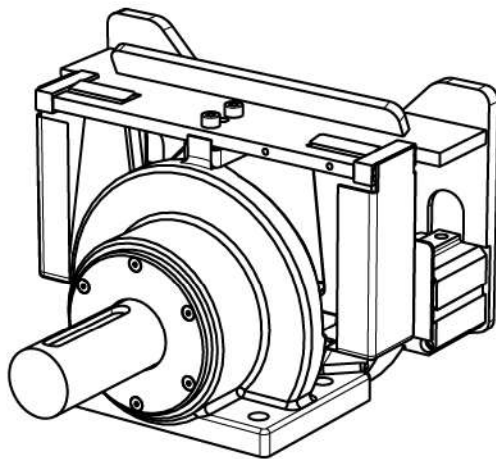
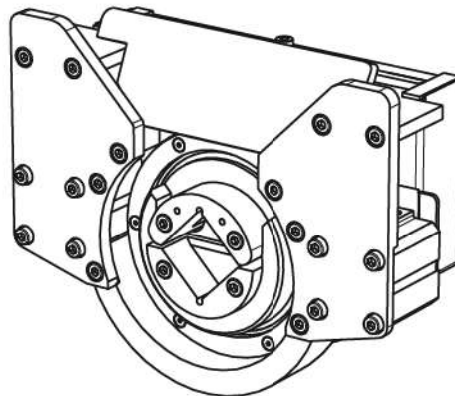
### Please note:

This chuck is a direct retrofit for the chuck 40-50 type C or 40-50 type VT.

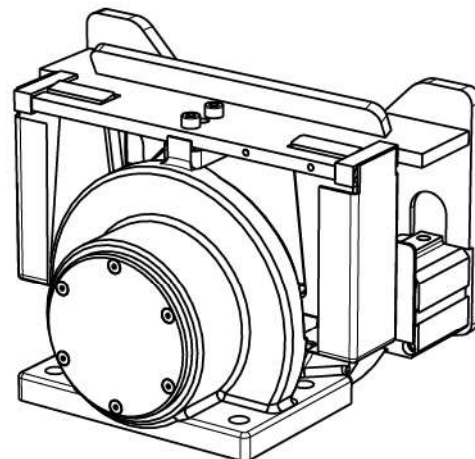
		Info
<b>Type:</b>	VT	4.44
<b>Journal shaft type VT:</b>	VT2	4.33
<b>Shaft end:</b>	standard	4.33
<b>Options:</b>	proximity sensor	4.33
<b>Add. parts:</b>	brakes	6.00
	clutches	7.00

# Boschert-Chuck A50 foot mounted

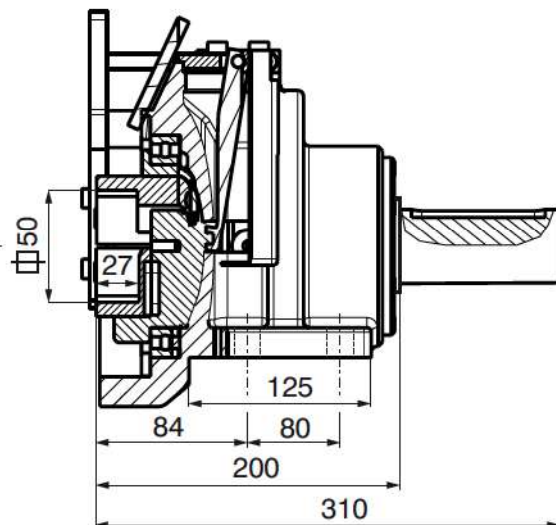
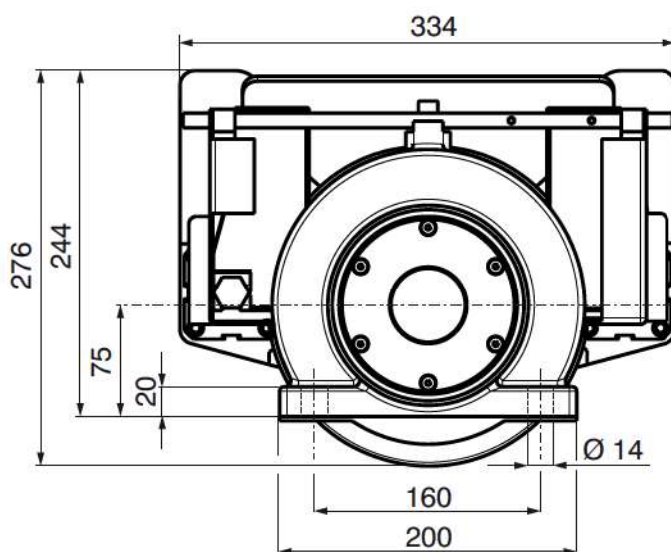
Boschert-Chuck A50



STW A50  
chuck with shaft end



STO A50  
chuck without shaft end

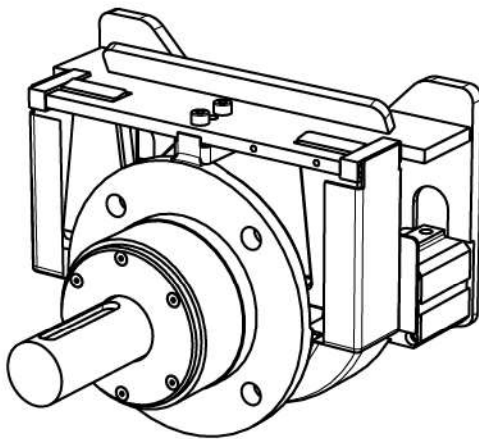
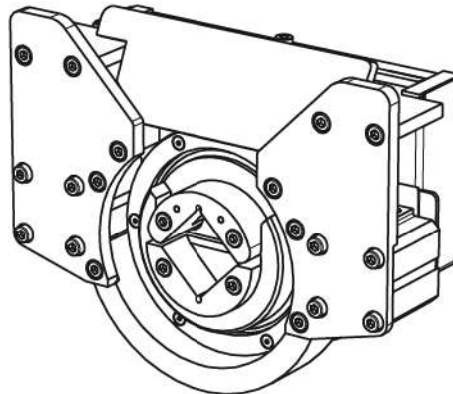


Shaft end details page 4.33

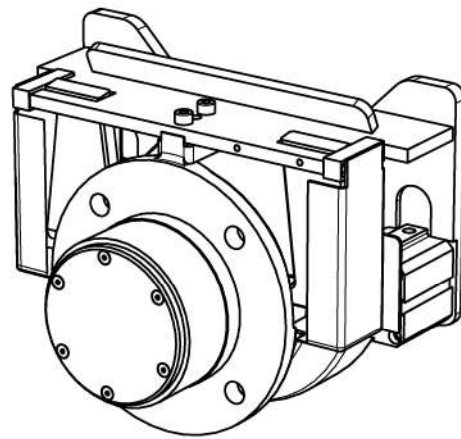


# Boschert-Chuck A50 flange mounted

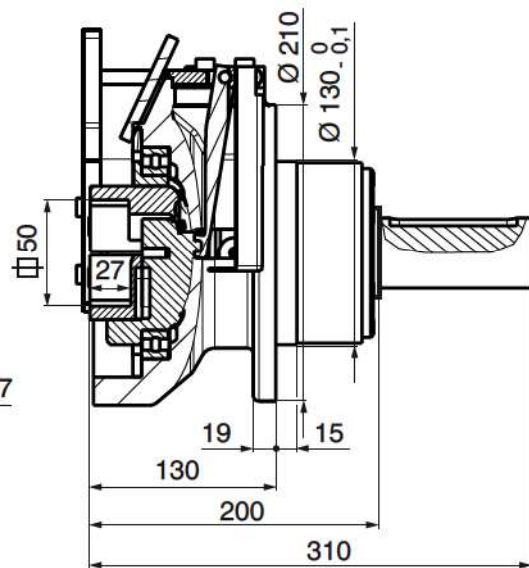
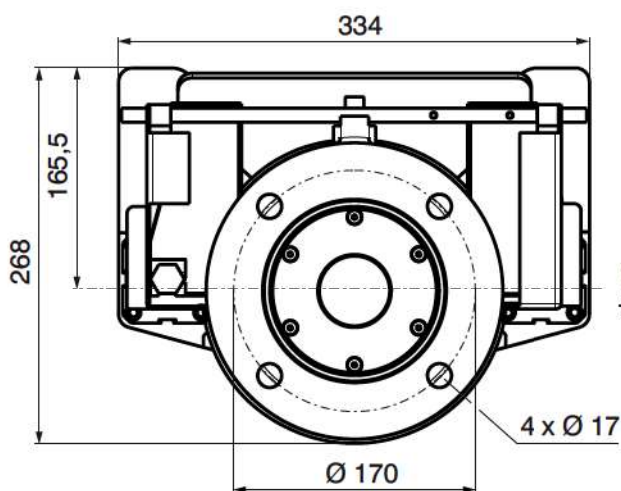
Boschert-Chuck A50



FLW A50  
chuck with shaft end



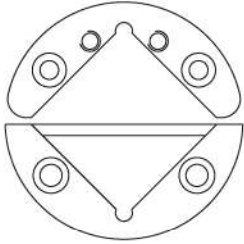
FLO A50  
chuck without shaft end



Shaft end details page 4.33

# Boschert-Chuck A50 options

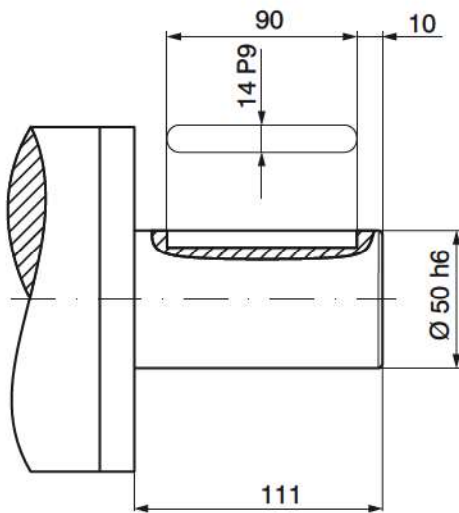
## Journal shaft type



VT 2

Info: 11.10

## Shaft end

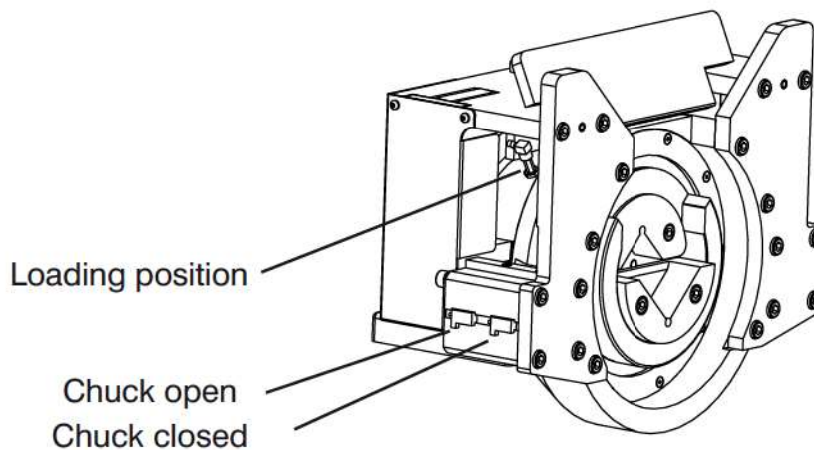


Standard shaft end

Special shaft ends per customer request

Max. shaft-dia.: Ø 50 mm  
(without stop)

## Proximity sensor



## 4.40 Boschert-Chuck A80



**A80 STO**

**Boschert** automatic chuck, foot mounted without shaft end

**A80 STW**

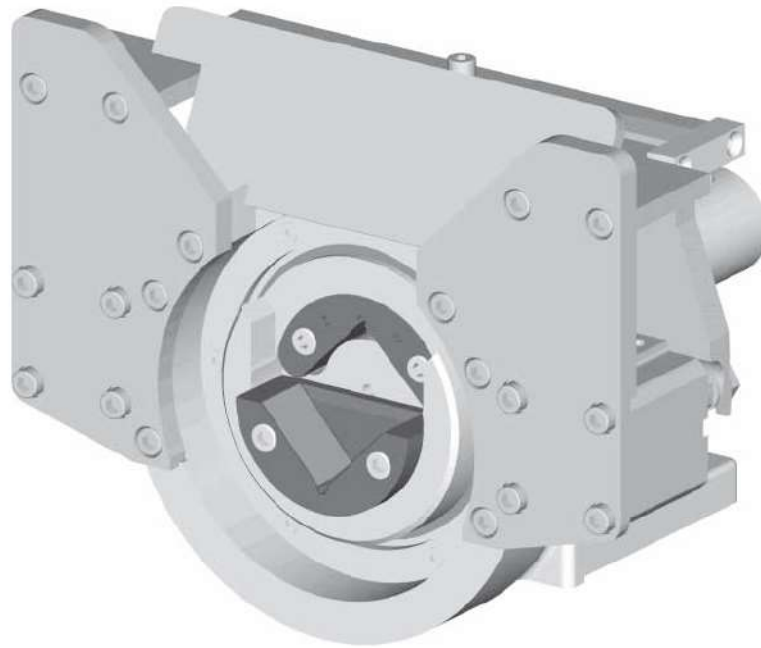
**Boschert** automatic chuck, foot mounted with shaft end

**A80 FLO**

**Boschert** automatic chuck, flange mounted without shaft end

**A80 FLW**

**Boschert** automatic chuck, flange mounted with shaft end



**Standard Square bar:**  80 mm (3.1496")

**max. beam weight:**  7000 kg (15430 lbs)

**max. torque:**  2350 Nm (1700 ft/lb)

### Please note:

This chuck is a direct retrofit for the chuck 50-80 type VT.

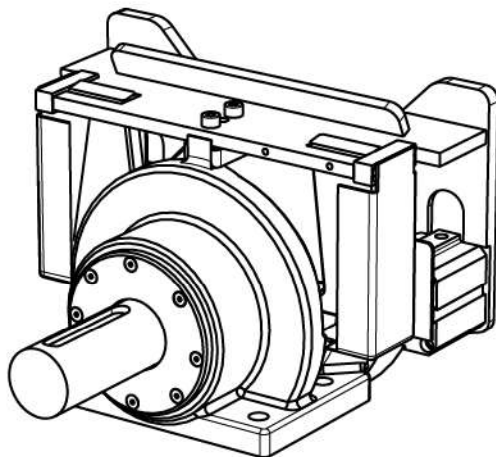
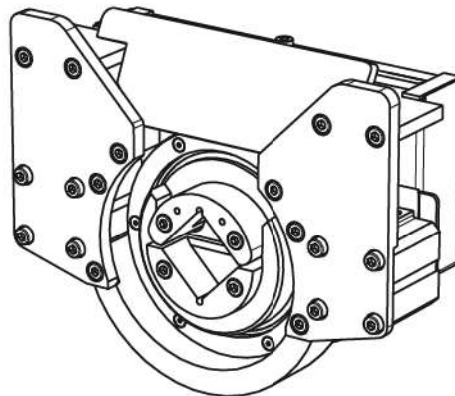
		Info
Type:	VT	4.44
Journal shaft type VT:	VT2	4.43
Shaft end:	standard	4.43
Options:	proximity sensor	4.43
Add. parts:	brakes	6.00
	clutches	7.00



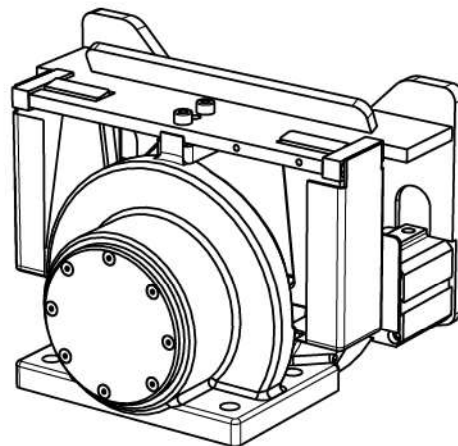
# Boschert-Chuck A80 foot mounted



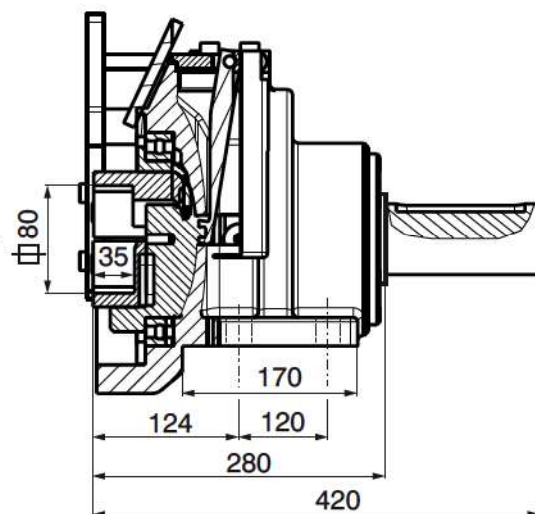
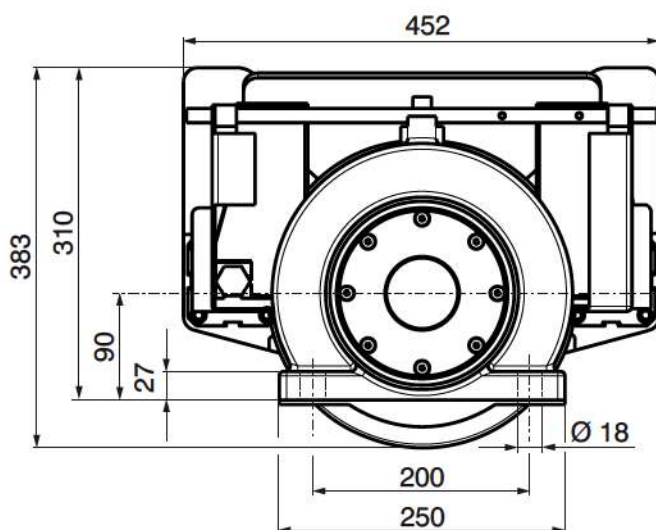
Boschert-Chuck A80



STW A80  
chuck with shaft end



STO A80  
chuck without shaft end

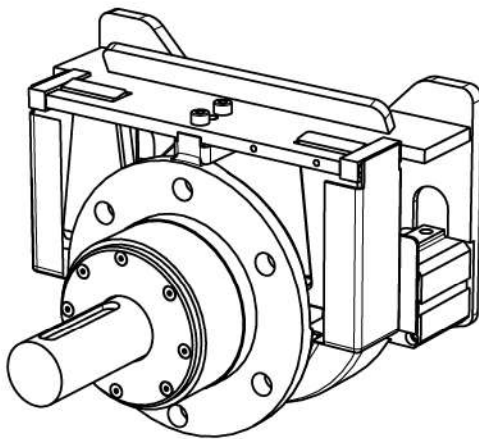
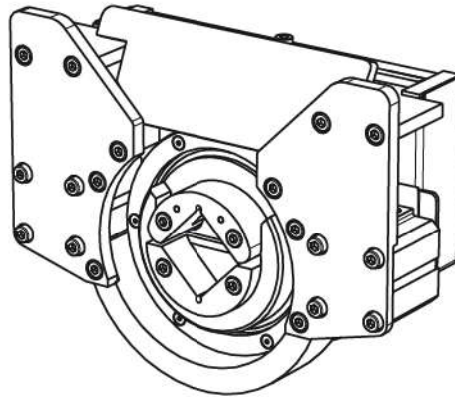


Shaft end details page 4.43

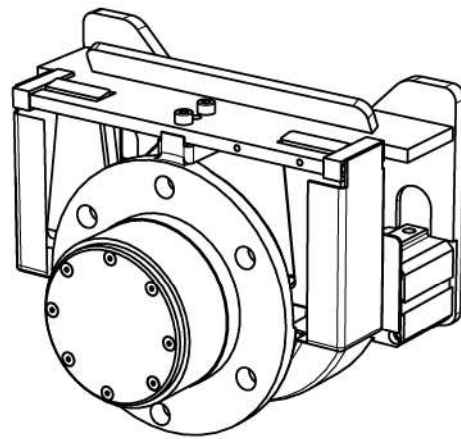
# Boschert-Chuck A80 flange mounted



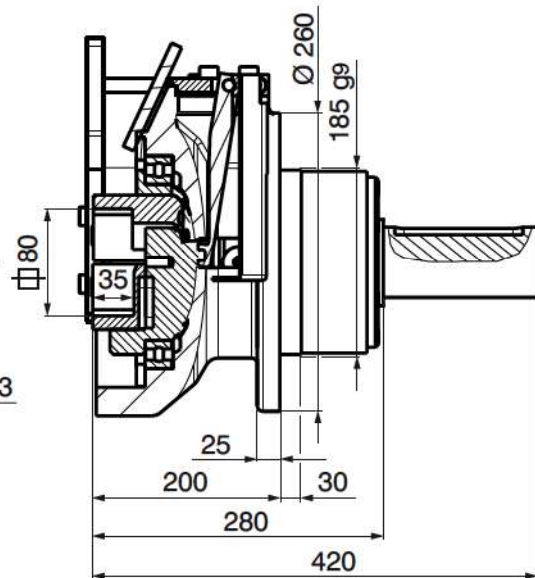
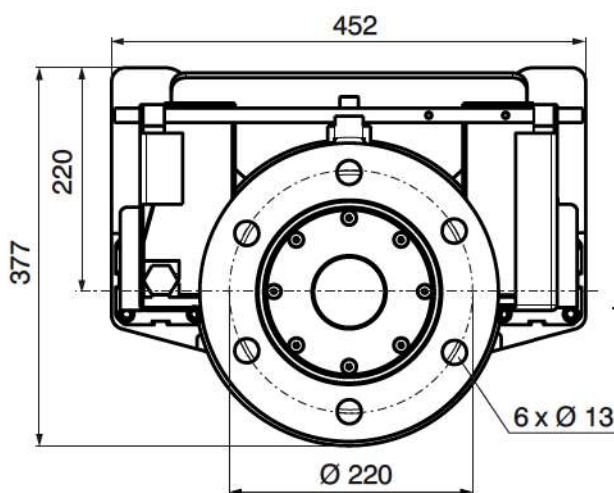
Boschert-Chuck A80



FLW A80  
chuck with shaft end



FLO A80  
chuck without shaft end

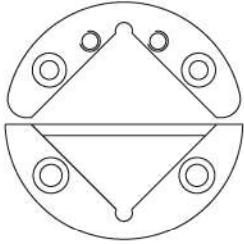


Shaft end details page 4.43

# Boschert-Chuck A80 options



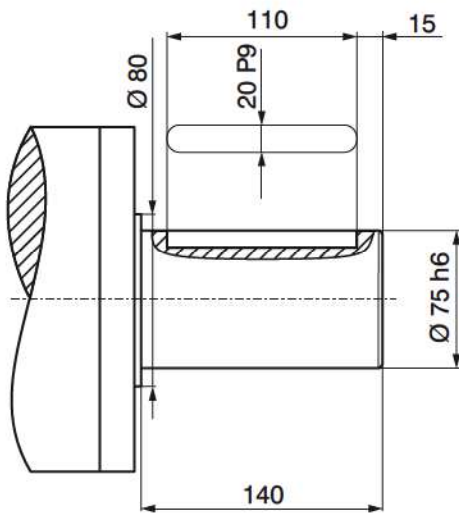
## Journal shaft type



VT 2

Info: 11.10

## Shaft end

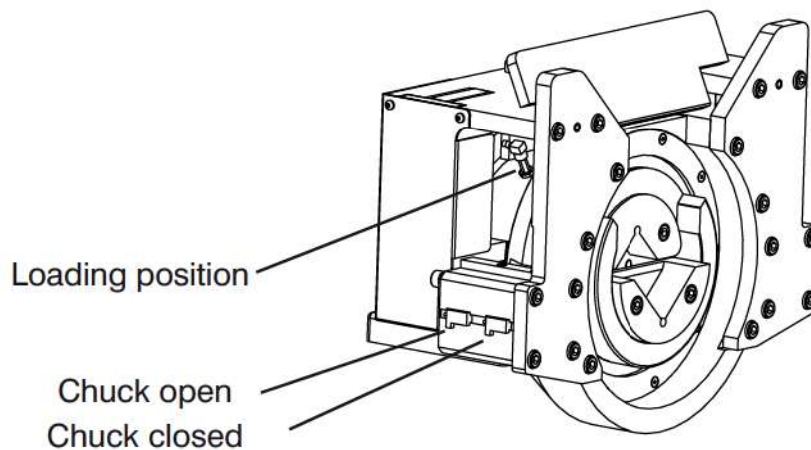


Standard shaft end

Special shaft ends per customer request

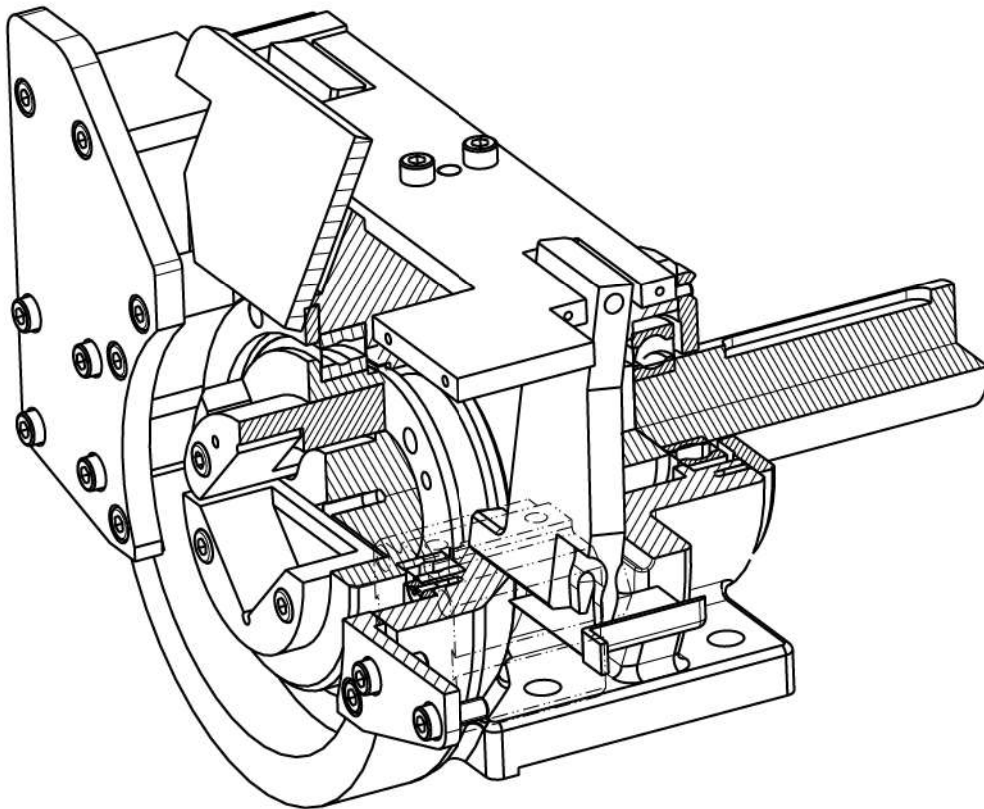
Max. shaft-dia.: Ø 80 mm  
(special shaft without stop)

## Proximity sensor

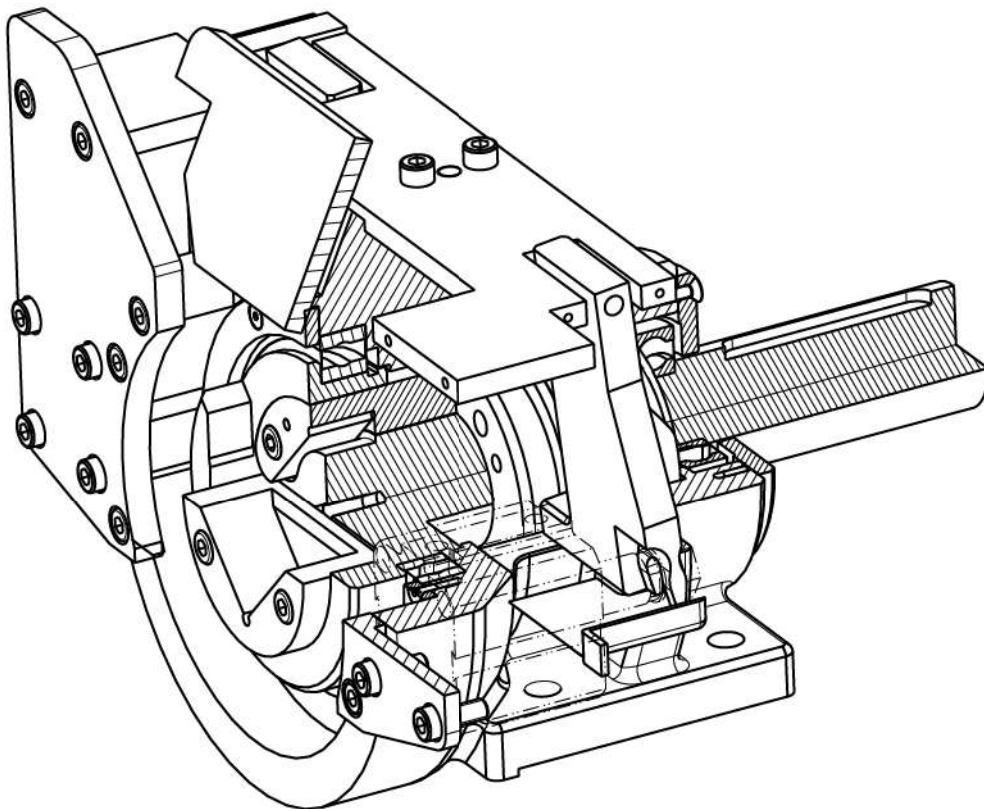




# Construction A-Chuck



A-Chuck closed





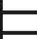

A-Chuck open

## 4.60 Boschert-Chuck P40





- P40 STO** *Boschert* pneumatic chuck, foot mounted without shaft end  
**P40 STW** *Boschert* pneumatic chuck, foot mounted with shaft end  
**P40 FLO** *Boschert* pneumatic chuck, flange mounted without shaft end  
**P40 FLW** *Boschert* pneumatic chuck, flange mounted with shaft end



- Standard Square bar:**  40 mm (1.5748")  
**max. Beam weight:**  1600 kg  (3530 lbs)  
**max. torque:**  350 Nm (258.1 ft/lb)

### Please note:

Max. beamweight and torque on P40 chucks are reduced when using VT2-inserts with a smaller square bar than  40 mm ( 1.5" / 38.1 mm).

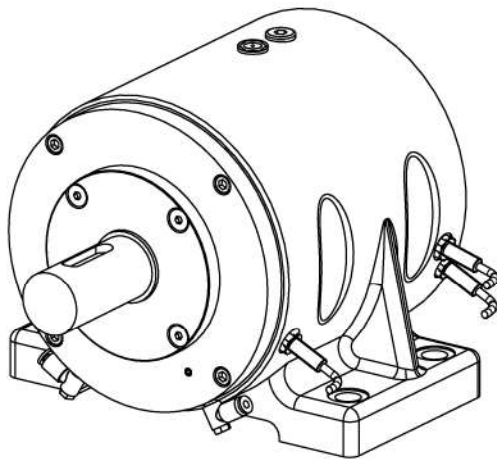
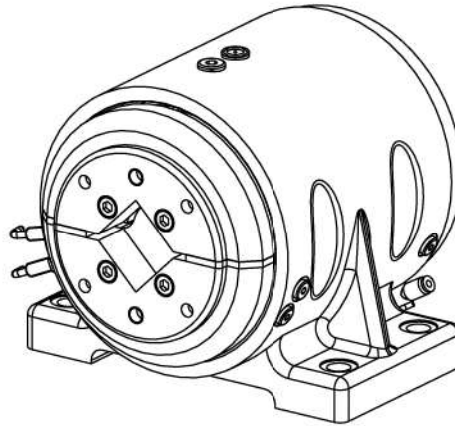
		Info
<b>Type:</b>	VT	4.74
<b>Journal shaft type VT:</b>	VT2 / VT7	4.63
<b>Shaft end:</b>	standard	4.63
<b>Options:</b>	proximity sensor	4.63
<b>Add. parts:</b>	brakes	6.00
	clutches	7.00



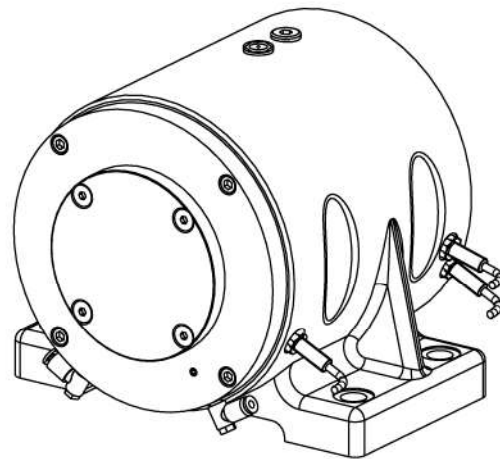
# Boschert-Chuck P40 foot mounted



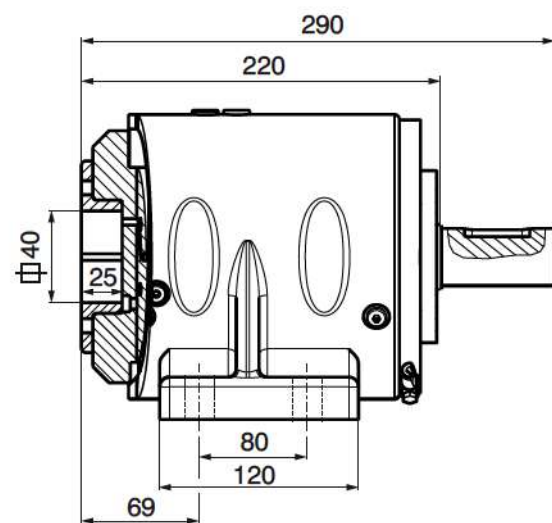
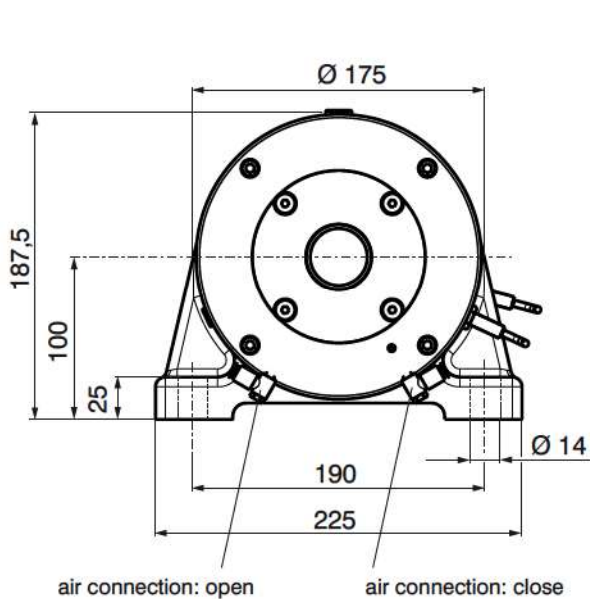
Boschert-Chuck P40



STW P40  
chuck with shaft end



STO P40  
chuck without shaft end



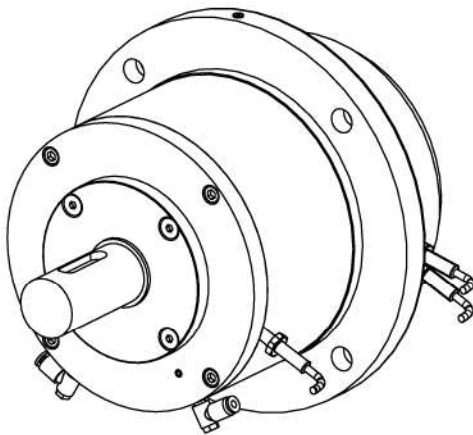
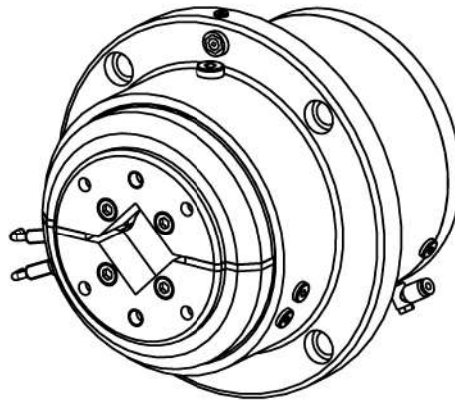
Shaft end details page 4.63



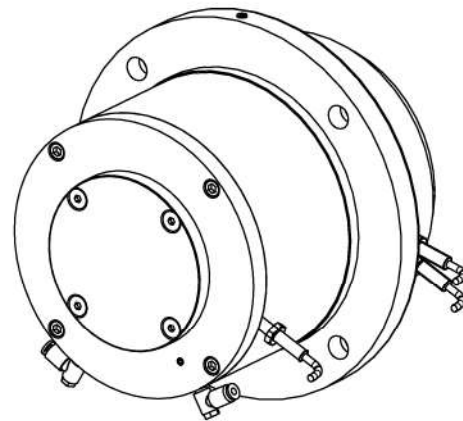
# Boschert-Chuck P40 flange mounted



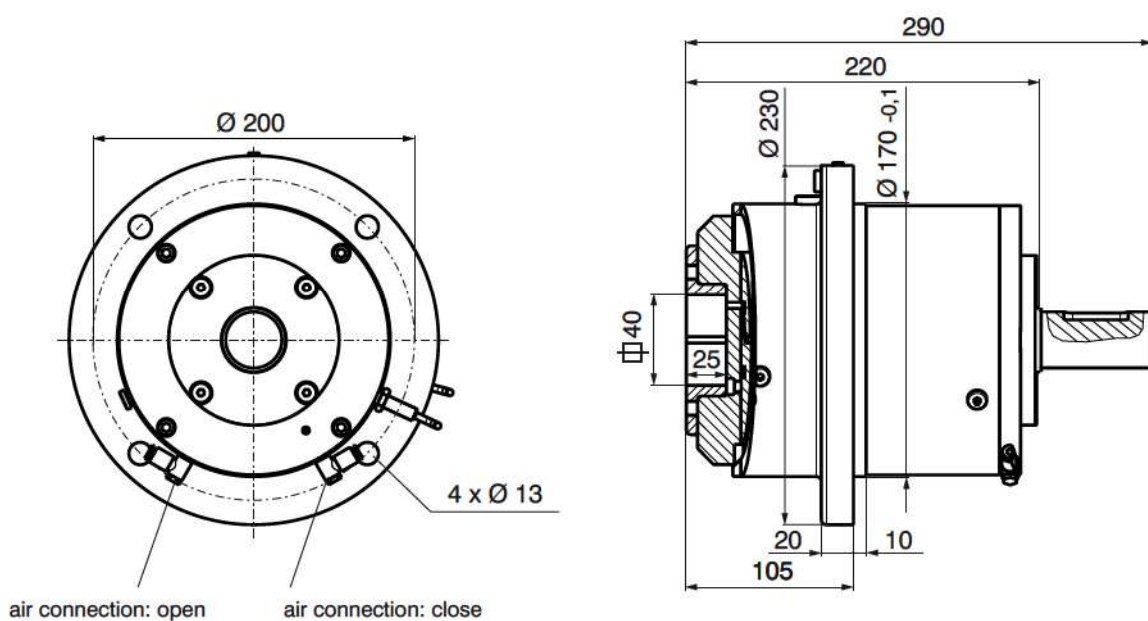
Boschert-Chuck P40



FLW P40  
chuck with shaft end



FLO P40  
chuck without shaft end



Shaft end details page 4.63

Mattenstrasse 1  
D-79541 Loerrach-Hauingen

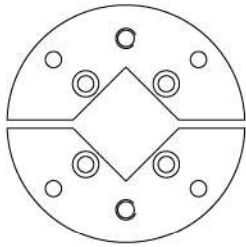
infokl@boschert.de  
www.boschert.de

Tel.: +49 (0) 7621 / 9593 0  
Fax: +49 (0) 7621 / 5518 4

4.62

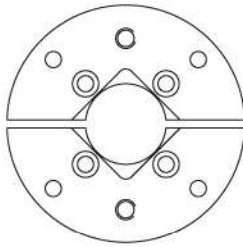
# Boschert-Chuck P40 options

## Journal shaft type



VT 2

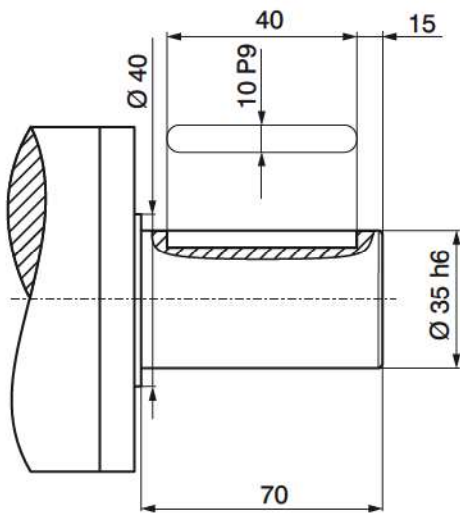
Info: 11.10



VT 7

Info: 11.12

## Shaft end

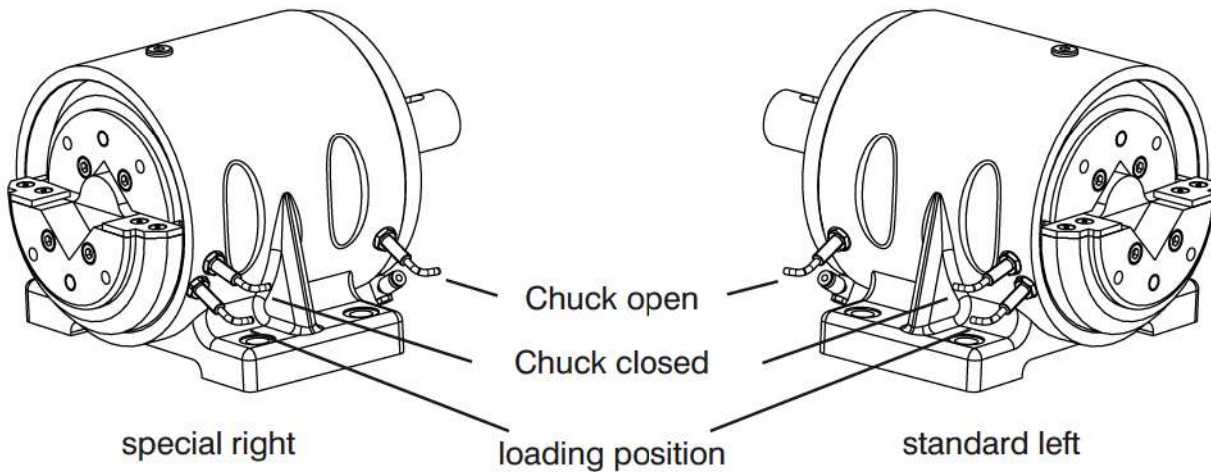


Standard shaft end

Special shaft ends per customer request

Max. shaft-dia.: Ø 40 mm  
(special shaft without stop)

## Proximity sensor



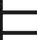



## 4.70 Boschert-Chuck P50





- P50 STO** *Boschert* pneumatic chuck, foot mounted without shaft end  
**P50 STW** *Boschert* pneumatic chuck, foot mounted with shaft end  
**P50 FLO** *Boschert* pneumatic chuck, flange mounted without shaft end  
**P50 FLW** *Boschert* pneumatic chuck, flange mounted with shaft end



**Standard Square bar:**  50 mm (1.9685")  
**max. beam weight:**  2800 kg  (6170 lbs)  
**max. torque:**  1100 Nm (800 ft/lb)

### Please note:

Max. beamweight and torque on P50 chucks are reduced when using VT2-inserts with a smaller square bar than  50 mm ( 2" / 50.8 mm).

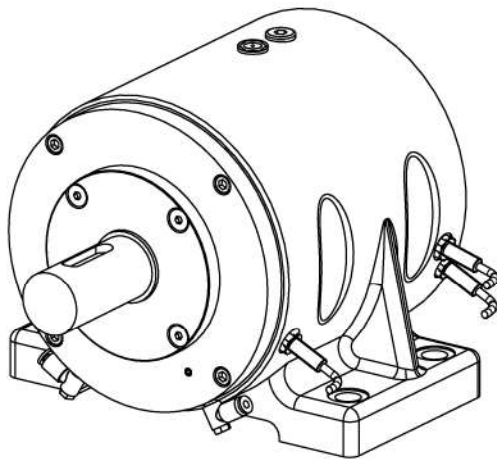
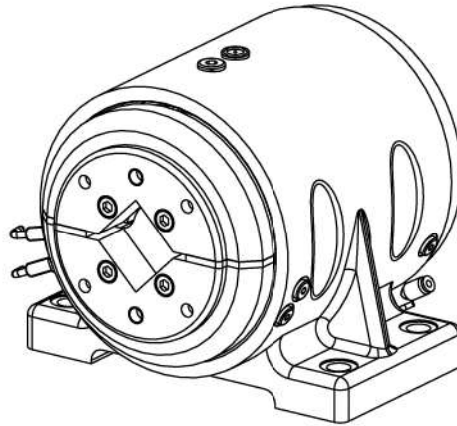
		Info
<b>Type:</b>	VT	4.74
<b>Journal shaft type VT:</b>	VT2 / VT7	4.73
<b>Shaft end:</b>	standard	4.73
<b>Options:</b>	proximity sensor	4.73
<b>Add. parts:</b>	brakes	6.00
	clutches	7.00



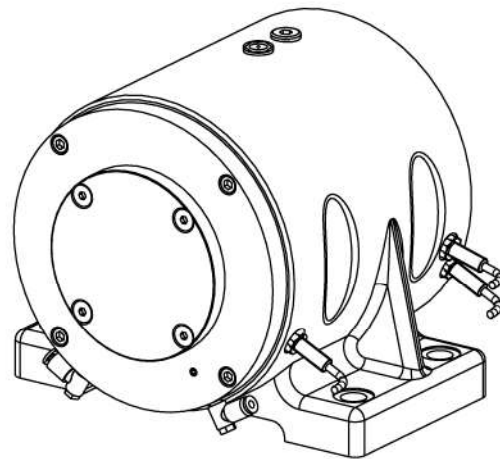
# Boschert-Chuck P50 foot mounted



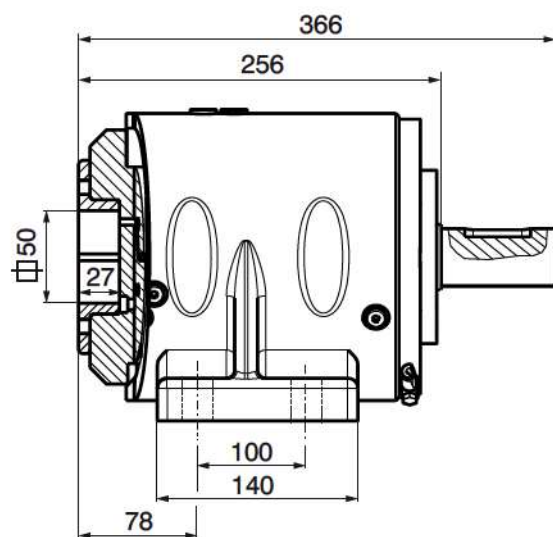
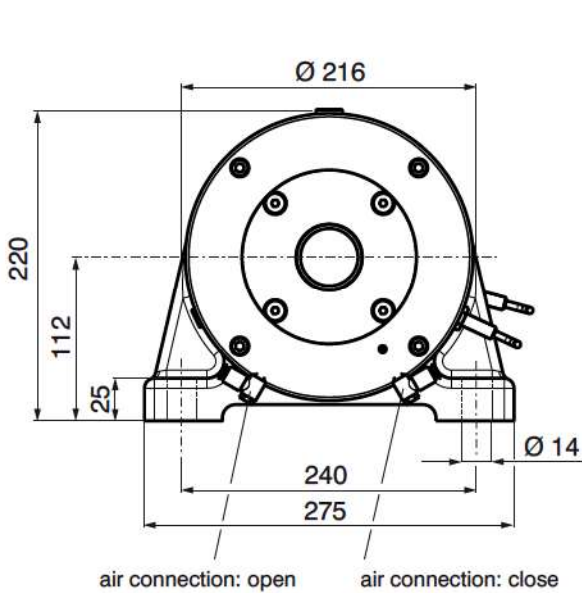
Boschert-Chuck P50



STW P50  
chuck with shaft end



STO P50  
chuck without shaft end

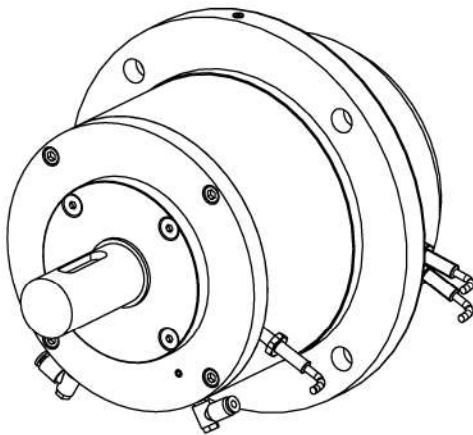
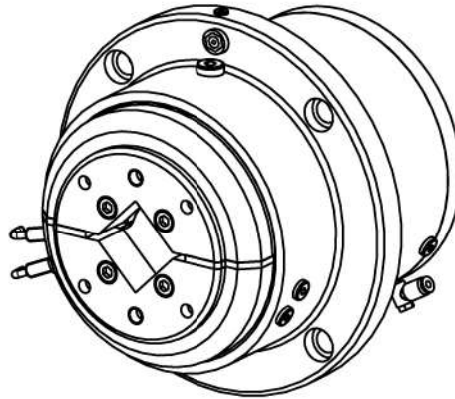


Shaft end details page 4.73

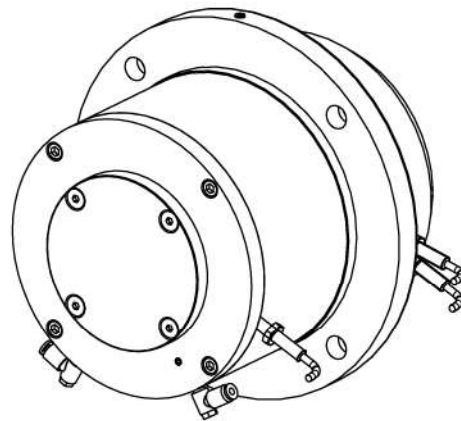
# Boschert-Chuck P50 flange mounted



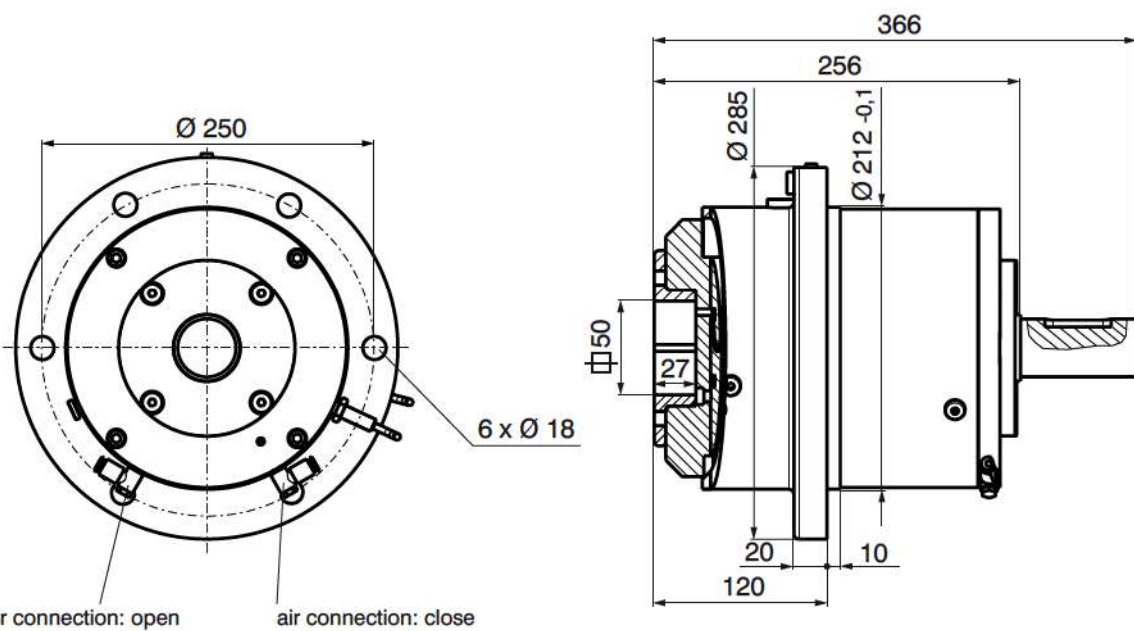
Boschert-Chuck P50



FLW P50  
chuck with shaft end



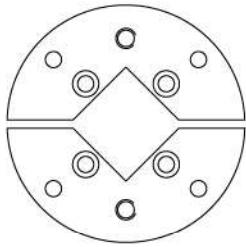
FLO P50  
chuck without shaft end



Shaft end details page 4.73

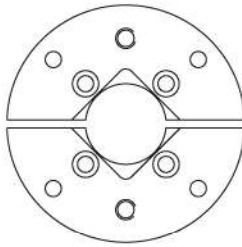
# Boschert-Chuck P50 options

## Journal shaft type



VT 2

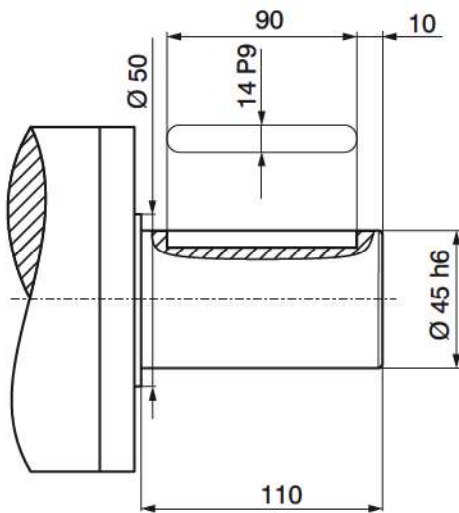
Info: 11.10



VT 7

Info: 11.12

## Shaft end

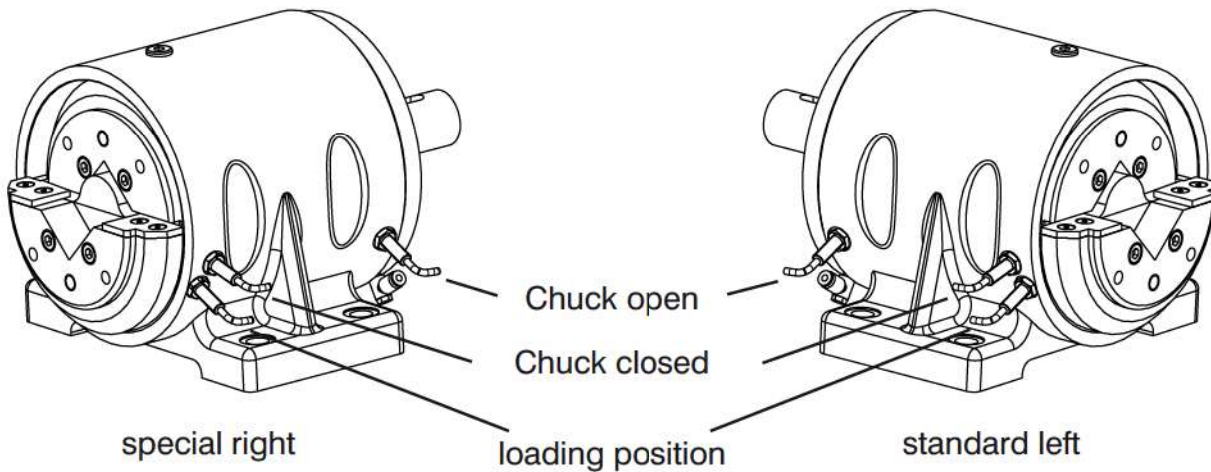


Standard shaft end

Special shaft ends per customer request

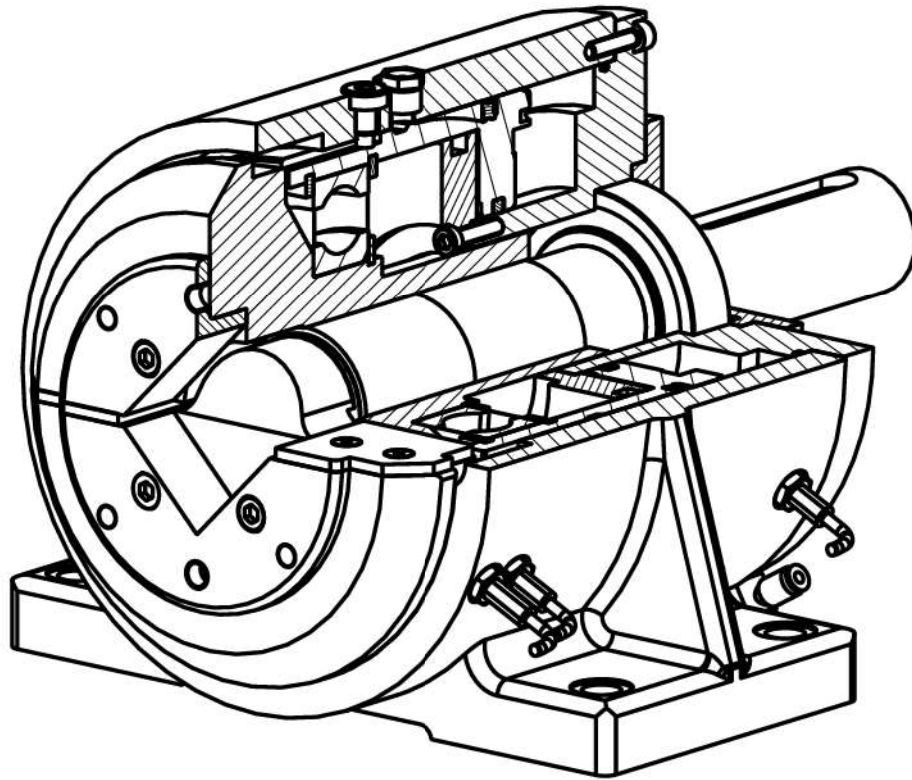
Max. shaft-dia.: Ø 50 mm  
(special shaft without stop)

## Proximity sensor

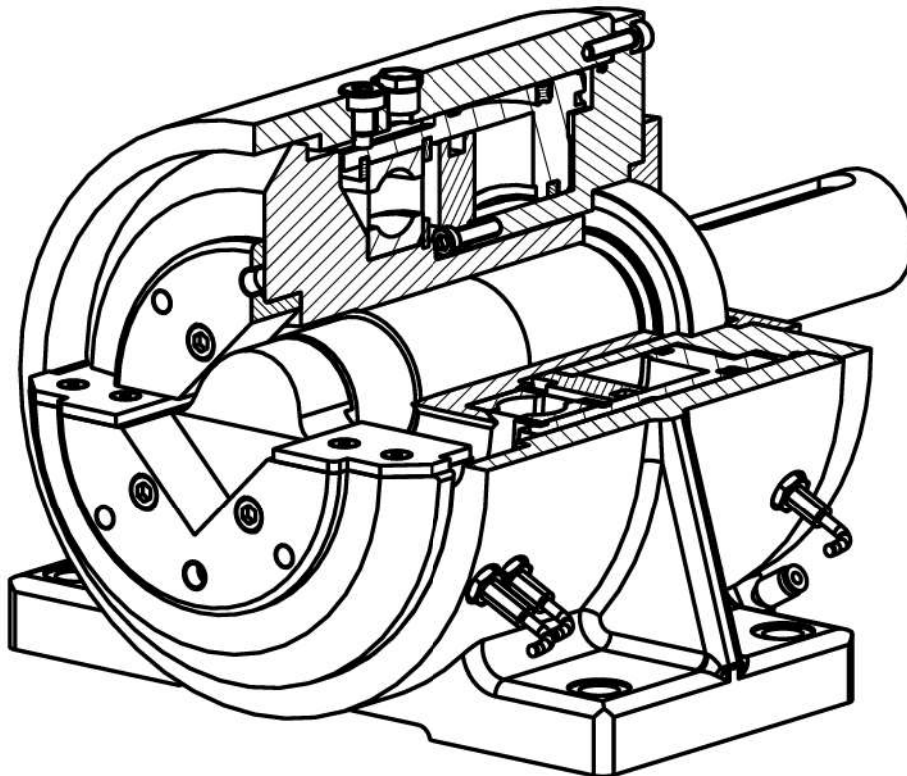




# Construction Chuck type P



P-Chuck closed



P-Chuck open