



BOSCHERT

Das Original!



?

News



6.00 Brake schedule



	ESB	DSB	Multi 500	Multi 1500	Multi 3000
VT-/C-Chuck	Nm* / (Nm**) / ft/lb* / (ft/lb**)	Nm* / (Nm**) / ft/lb* / (ft/lb**)	Nm per callipers / (Nm***) / ft/lb* / (ft/lb**)	Nm per callipers / (Nm***) / ft/lb* / (ft/lb**)	Nm per callipers / (Nm***) / ft/lb* / (ft/lb**)
Mini	30 / 22				
19-25	40/(90) / 29/(65)				
22-30	40/(90) / 29/(65)		50/(300) / 36/(220)	80/(640) / 58/(460)	120/(1200) / 87/(870)
30-40	40/(90) / 29/(65)	200/(440) / 140/(320)	50/(300) / 36/(220)	80/(640) / 58/(460)	120/(1200) / 87/(870)
40-50	50/(110) / 36/(80)	200/(440) / 140/(320)	50/(300) / 36/(220)	80/(640) / 58/(460)	120/(1200) / 87/(870)
50-80		200/(440) / 140/(320)	50/(300) / 36/(220)	80/(640) / 58/(460)	120/(1200) / 87/(870)
Sliding-chuck					
22-30	40/(90) / 29/(65)		50/(300) / 36/(220)	80/(640) / 58/(460)	120/(1200) / 87/(870)
30-40	40/(90) / 29/(65)	200/(440) / 140/(320)	50/(300) / 36/(220)	80/(640) / 58/(460)	120/(1200) / 87/(870)
40-50	50/(110) / 36/(80)	200/(440) / 140/(320)	50/(300) / 36/(220)	80/(640) / 58/(460)	120/(1200) / 87/(870)
Series A					
A40	40/(90) / 29/(65)	200/(440) / 140/(320)	50/(300) / 36/(220)	80/(640) / 58/(460)	120/(1200) / 87/(870)
A50	50/(110) / 36/(80)	200/(440) / 140/(320)	50/(300) / 36/(220)	80/(640) / 58/(460)	120/(1200) / 87/(870)
A80		200/(440) / 140/(320)	50/(300) / 36/(220)	80/(640) / 58/(460)	120/(1200) / 87/(870)
Series P					
P40		200/(440) / 140/(320)	50/(300) / 36/(220)	80/(640) / 58/(460)	120/(1200) / 87/(870)
P50		200/(440) / 140/(320)	50/(300) / 36/(220)	80/(640) / 58/(460)	120/(1200) / 87/(870)

All data is on a basis of 5 bar (15 psi) pressure.

- * max. brake torque
- ** with membrane cylinder II
- *** with max. no. of callipers



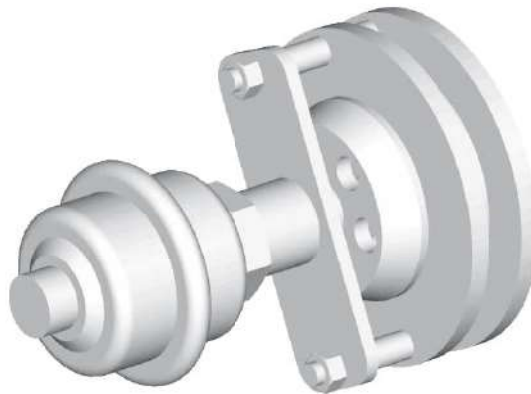
6.10 Single disc brake type ESB mini



Single disc brake manual



Single disc brake pneumatic

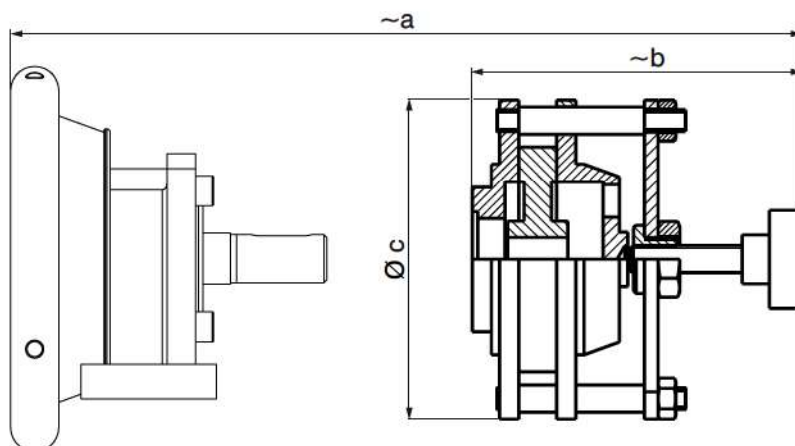


Single disc brake with membrane cylinder I

	ESB Mini		
	manual	pneumatic	membrane I
type mini			
performance kW (h.p.)	0.1 (0.134)	0.1 (0.134)	0.1 (0.134)
max. brake torque Nm (ft/lb)	30 (22,1)	30 (22,1)	30 (22,1)

All data is on a basis of 5 bar (14,5 psi) pressure.

Mini Chuck with manual single disc brake

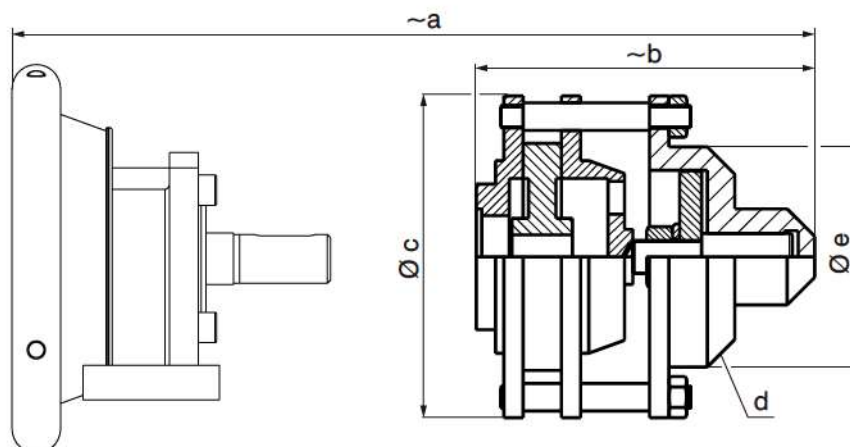


picture of chuck just symbolic

	a	b	c
Mini Chuck + ESB manual	174	110	117

Dimension schedule for Boschert-Chuck see chapter 2.00

Mini Chuck with pneumatic single disc brake



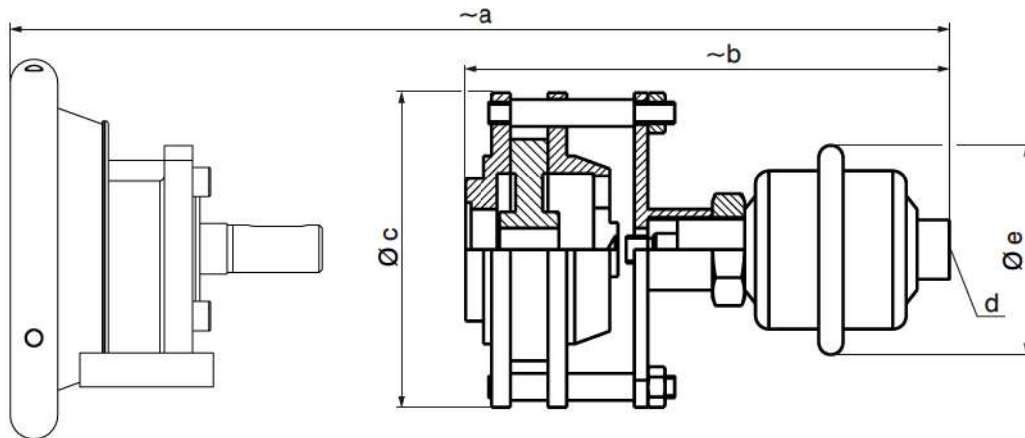
picture of chuck just symbolic

	a	b	c	d	e
Mini Chuck + ESB pneumatic	192	125	117	G 1/8	80

Dimension schedule for Boschert-Chuck see chapter 2.00

ESB mini and membrane cylinder I

Mini chuck with single disc brake and membrane cylinder I

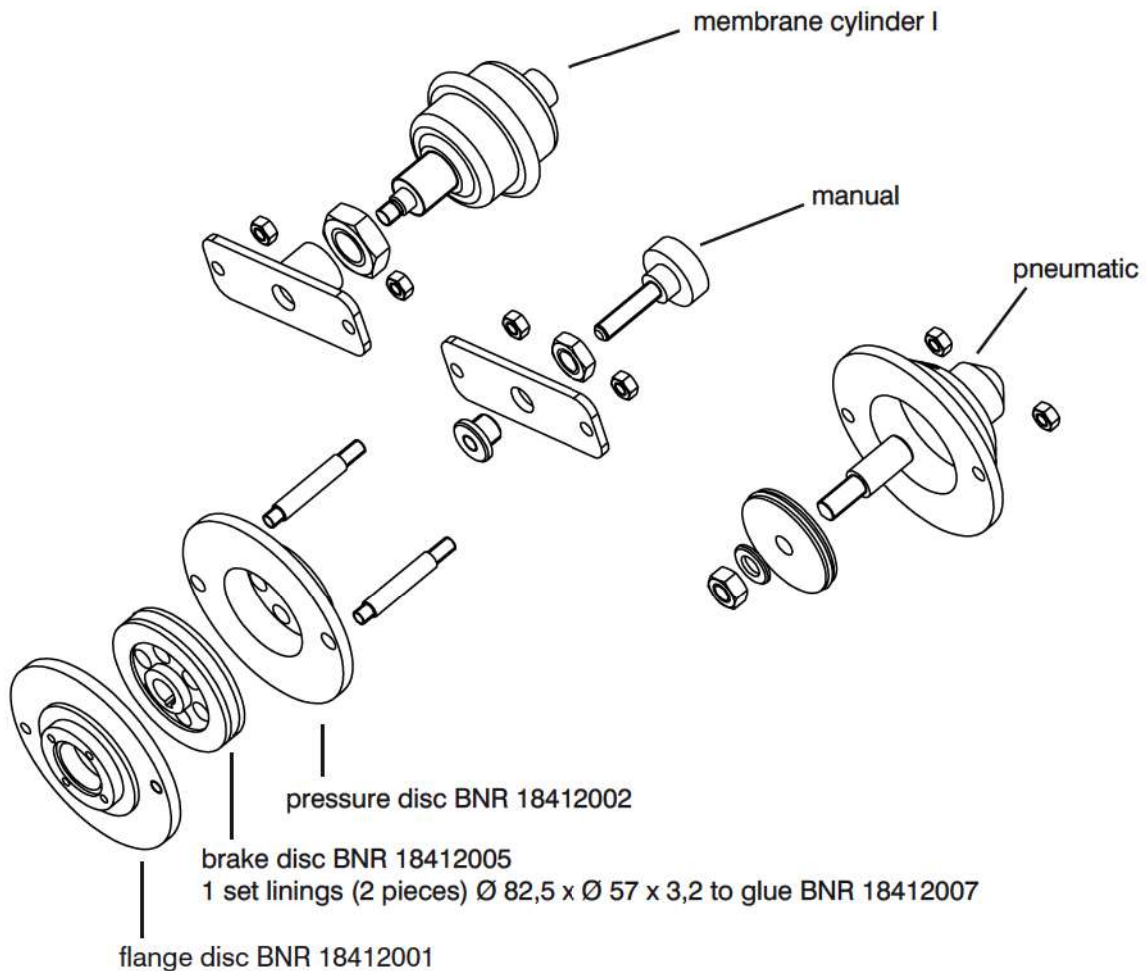
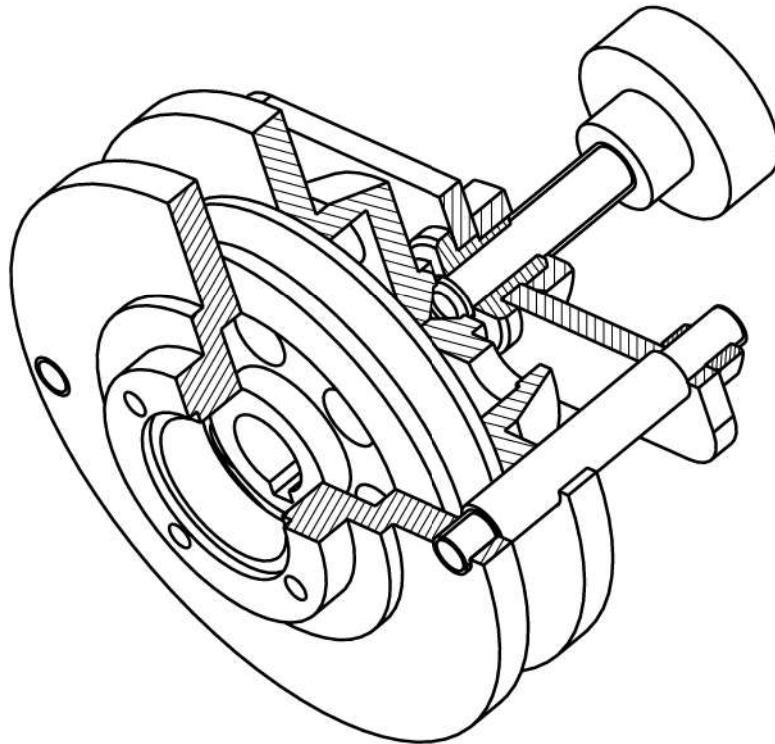


picture of chuck just symbolic

	a	b	c	d	e
Mini Chuck + ESB membrane I	234	170	117	G 1/4	80

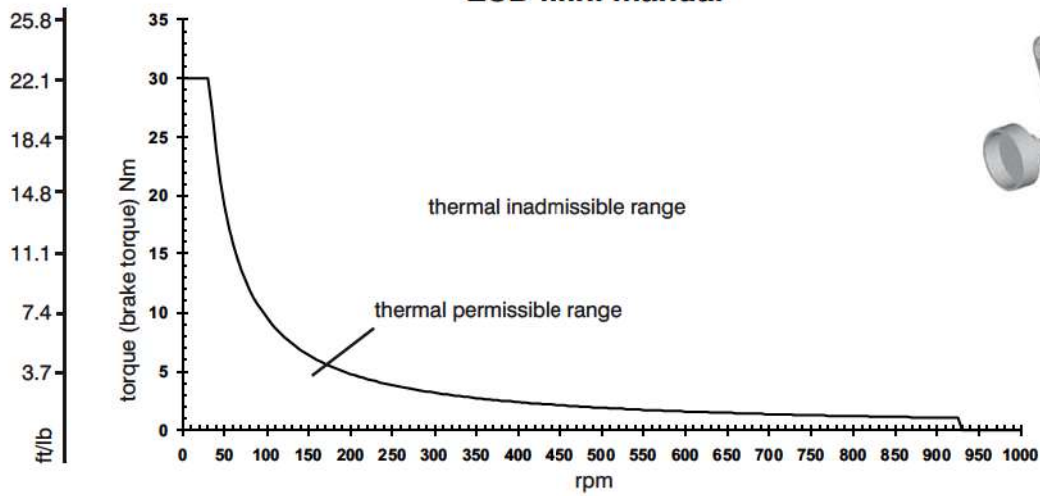
Dimension schedule for Boschert-Chuck see chapter 2.00

ESB mini wearing-parts

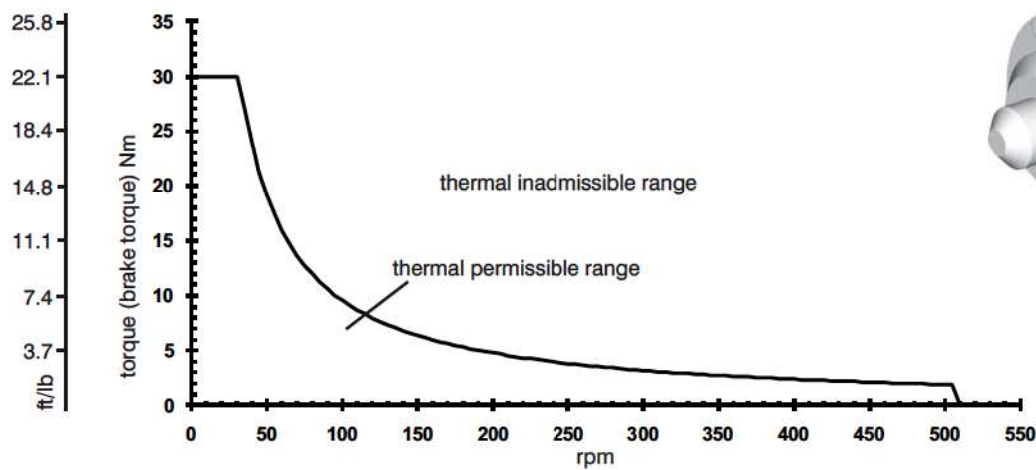


ESB Mini performance diagrams

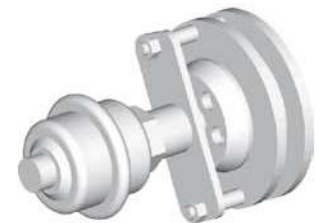
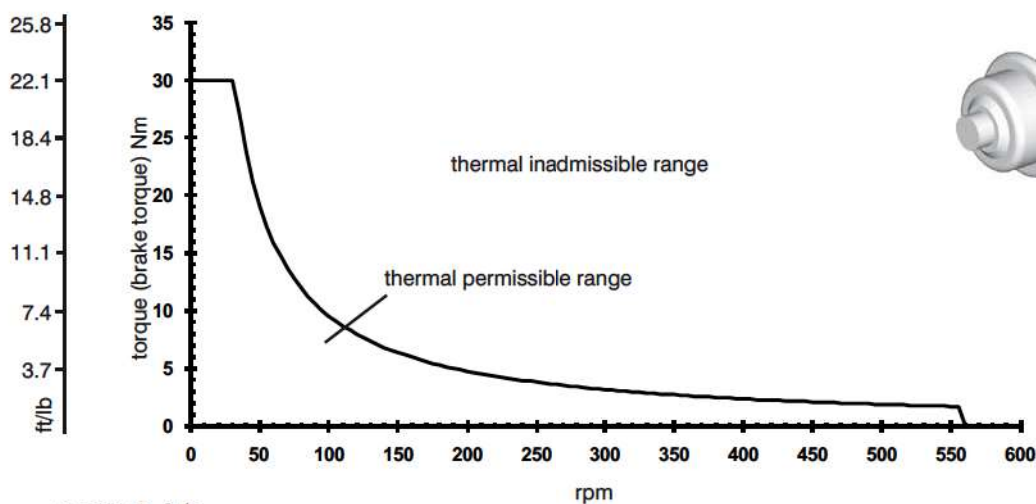
ESB Mini manual



ESB Mini pneumatic



ESB Mini membrane I



1 Nm = 0.7376 ft/lb

Mattenstrasse 1
D-79541 Loerrach-Hauingen

infokl@boschert.de
www.boschert.de

Tel.: +49 (0) 7621 / 9593 0
Fax: +49 (0) 7621 / 5518 4

6.20 Single disc brake type ESB



Single disc brake manual



Single disc brake pneumatic



Single disc brake with membrane cylinder I

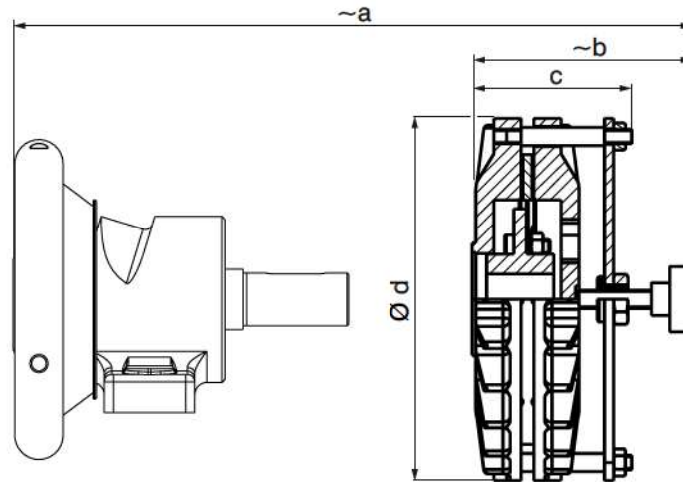


Single disc brake with membrane cylinder II

	ESB			
	manual	pneumatic	membrane I	membrane II
type 19-25				
performance kW (h.p.)	0.15 (0.201)	0.15 (0.201)	0.15 (0.201)	0.15 (0.201)
max. brake torque Nm (ft/lb)	40 (29,5)	40 (29,5)	40 (29,5)	90 (66,4)
type 22-30				
performance kW (h.p.)	0.15 (0.201)	0.15 (0.201)	0.15 (0.201)	0.15 (0.201)
max. brake torque Nm (ft/lb)	40 (29,5)	40 (29,5)	40 (29,5)	90 (66,4)
type 30-40 / A40				
performance kW (h.p.)	0.15 (0.201)	0.15 (0.201)	0.15 (0.201)	0.15 (0.201)
max. brake torque Nm (ft/lb)	40 (29,5)	40 (29,5)	40 (29,5)	90 (66,4)
type 40-50 / A50				
performance kW (h.p.)	0.2 (0.268)	0.2 (0.268)	0.2 (0.268)	0.2 (0.268)
max. brake torque Nm (ft/lb)	50 (36,9)	50 (36,9)	50 (36,9)	110 (81,1)

All data is on a basis of 5 bar (72,5 psi) pressure.

Safety Chuck with manual single disc brake

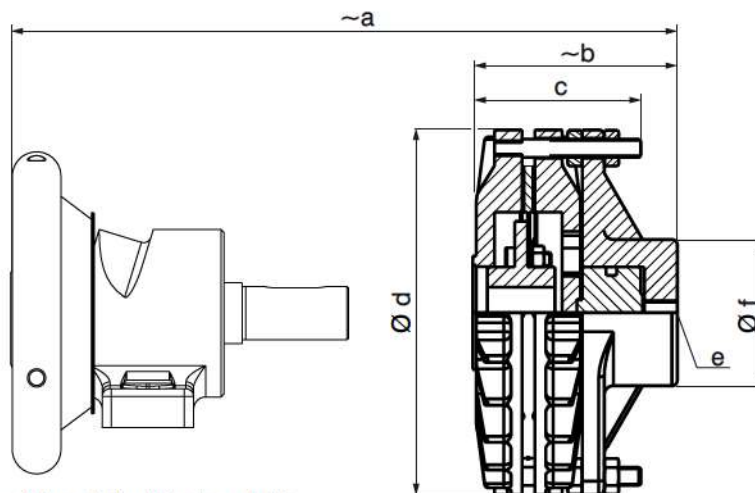


picture of chuck just symbolic

	a	b	c	d
Safety Chuck 19-25 + ESB manual	235	118	86	200
Safety Chuck 22-30 + ESB manual	241	118	86	200
Safety Chuck 30-40 + ESB manual	258	118	86	200
Safety Chuck 40-50 + ESB manual	327	136.5	110	235

Dimension schedule for Boschert-Chuck see chapter 2.10 - 2.40

Safety chuck with pneumatic single disc brake



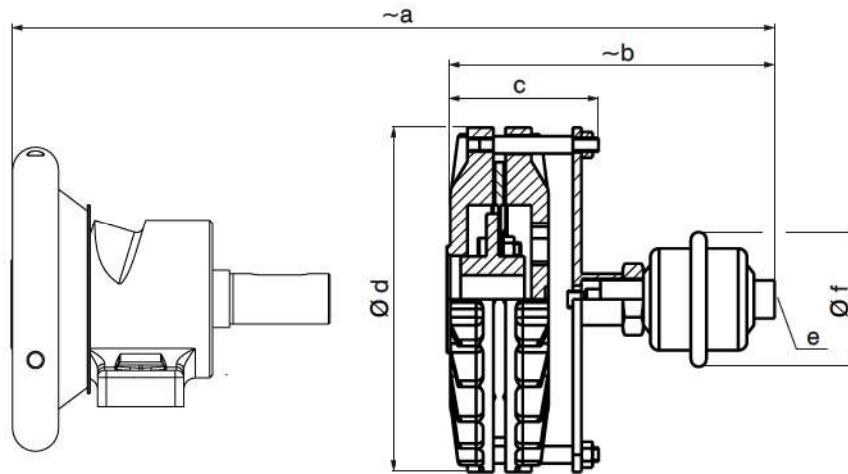
picture of chuck just symbolic

	a	b	c	d	e	f
Safety Chuck 19-25 + ESB pneumatic	227	110	90	200	G 1/4	80
Safety Chuck 22-30 + ESB pneumatic	233	110	90	200	G 1/4	80
Safety Chuck 30-40 + ESB pneumatic	250	110	90	200	G 1/4	80
Safety Chuck 40-50 + ESB pneumatic	324	133.5	107	235	G 1/4	80

Dimension schedule for Boschert-Chuck see chapter 2.10 - 2.40

ESB and membrane cylinder I / II

Safety chuck with single disc brake and membrane cylinder I

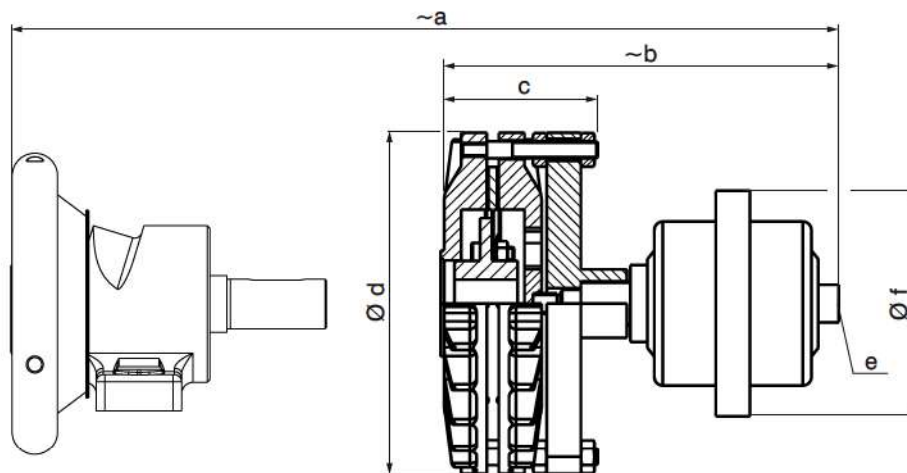


picture of chuck just symbolic

	a	b	c	d	e	f
Safety Chuck 19-25 + ESB membrane I	292	175	86	200	G 1/4	80
Safety Chuck 22-30 + ESB membrane I	298	175	86	200	G 1/4	80
Safety Chuck 30-40 + ESB membrane I	315	175	86	200	G 1/4	80
Safety Chuck 40-50 + ESB membrane I	375	185	110	235	G 1/4	80

Dimension schedule for Boschert-Chuck see chapter 2.10 - 2.40

Safety chuck with single disc brake and membrane cylinder II

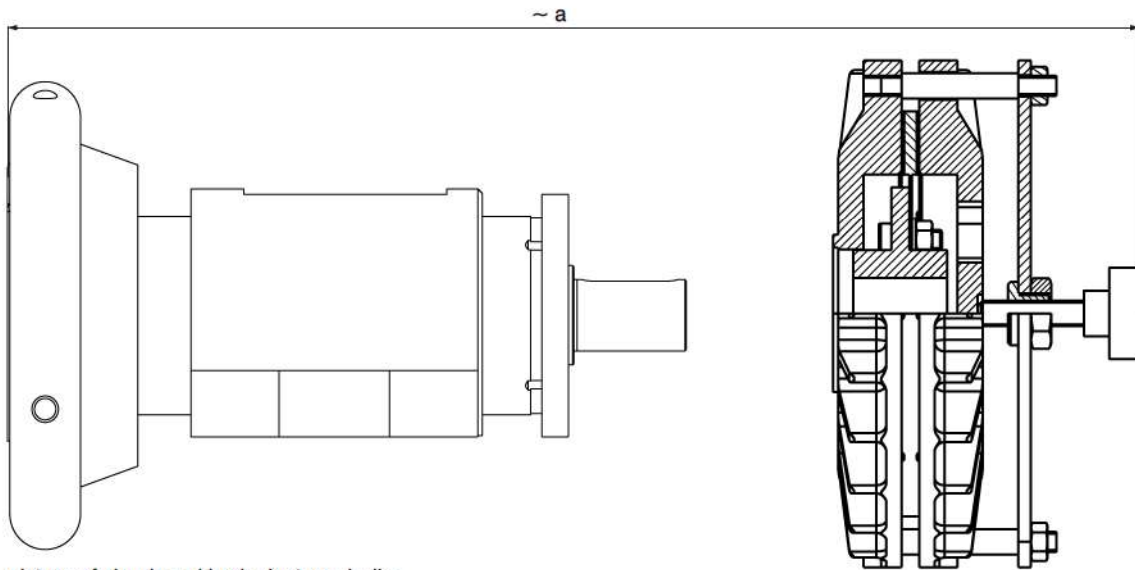


picture of chuck just symbolic

	a	b	c	d	e	f
Safety Chuck 22-30 + ESB membrane II	354	231	90	200	G 1/4	132
Safety Chuck 30-40 + ESB membrane II	371	231	90	200	G 1/4	132
Safety Chuck 40-50 + ESB membrane II	440	250	84	235	G 1/4	132

Dimension schedule for Boschert-Chuck see chapter 2.10 - 2.40

Overall dimension ESB with Sliding-, A- and P-Chuck



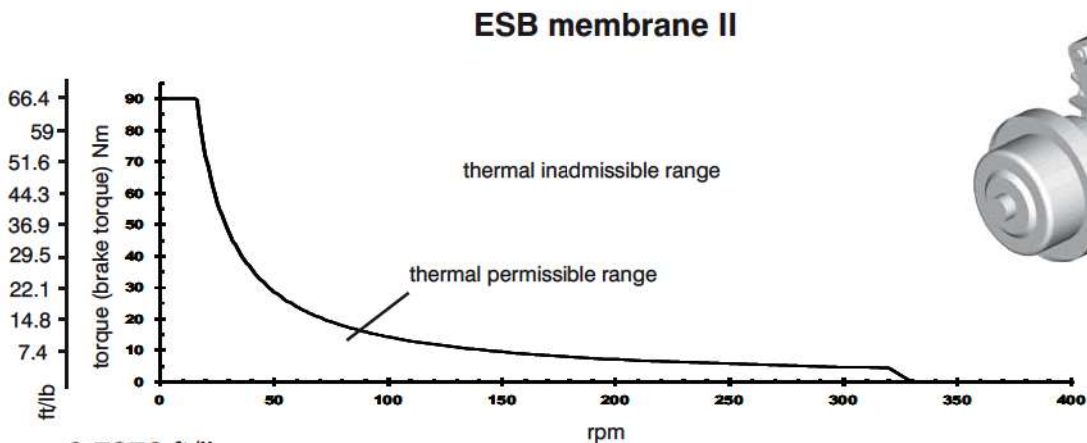
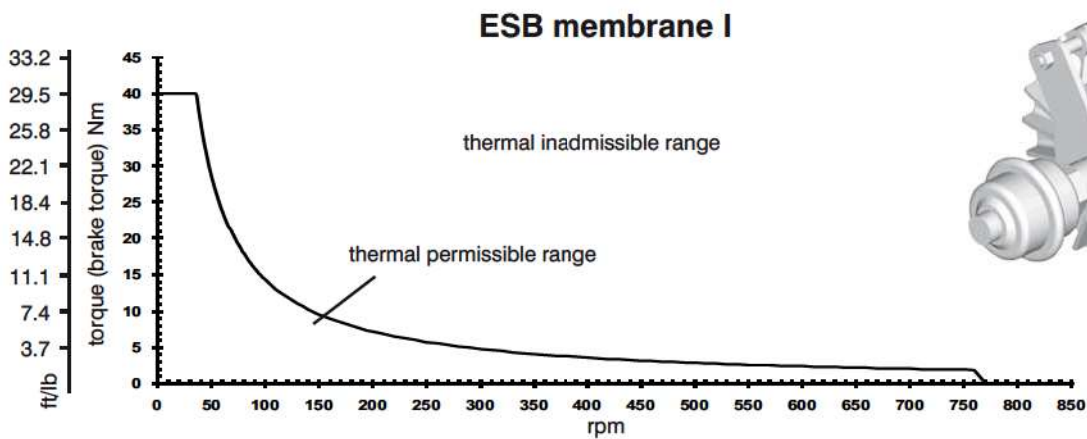
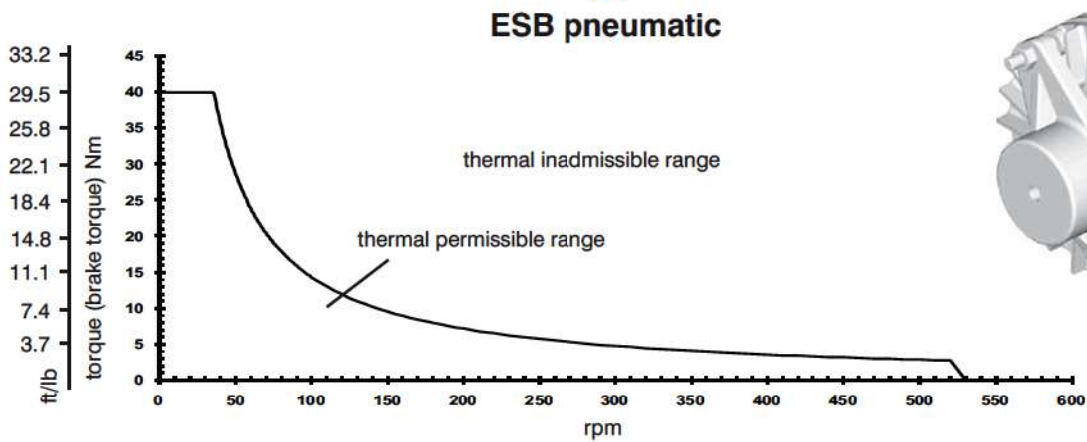
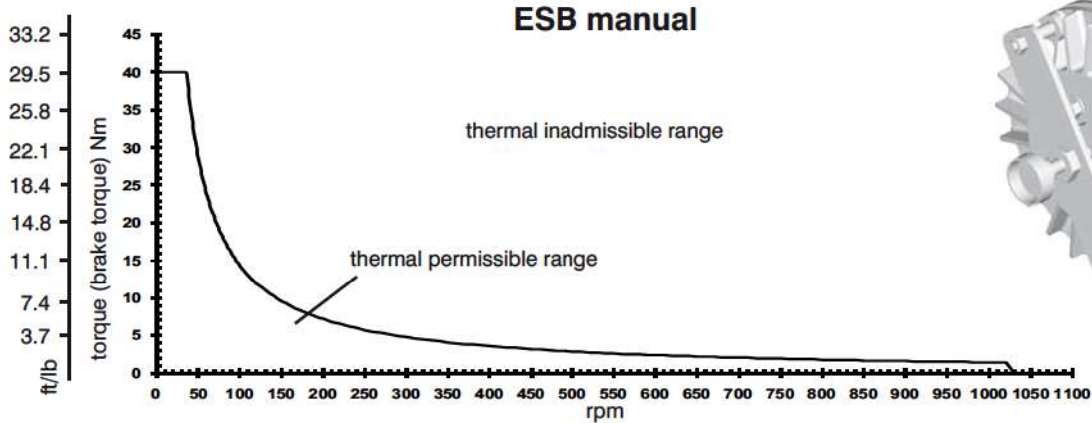
picture of chuck and brake just symbolic

overall dimension „a“
for Boschert Sliding-, A- and P-Chuck (flange- and foot mounted chuck)

	ESB				chuck dim. on page
	manual	pneumatic	membrane I	membrane II	
brake dim. on page	6.21	6.21	6.22	6.22	
Sliding-Chuck					
22-30					
50 mm adjustment	369	361	428	484	3.03 - 3.06
100 mm adjustment	469	461	528	584	3.03 - 3.06
30-40					
50 mm adjustment	371	364	426	482	3.03 - 3.06
100 mm adjustment	471	464	526	582	3.03 - 3.06
40-50					
50 mm adjustment	397	393.5	462	513	3.03 - 3.06
100 mm adjustment	497	493.5	562	613	3.03 - 3.06
A Chuck					
A40	258	250	315	371	4.21 - 4.22
A50	327	324	396	440	4.31 - 4.32
P Chuck					
P40	338	330	395	451	4.61 - 4.62
P50	393	330	455	506	4.71 - 4.72

A Chucks = A Series Pneumatic Safety Chucks
P Chucks = P Series Pneumatic Safety Chucks

ESB performance diagrams type 19-25 / 22-30 / 30-40



1 Nm = 0.7376 ft/lb

Mattenstrasse 1
D-79541 Loerrach-Hauingen

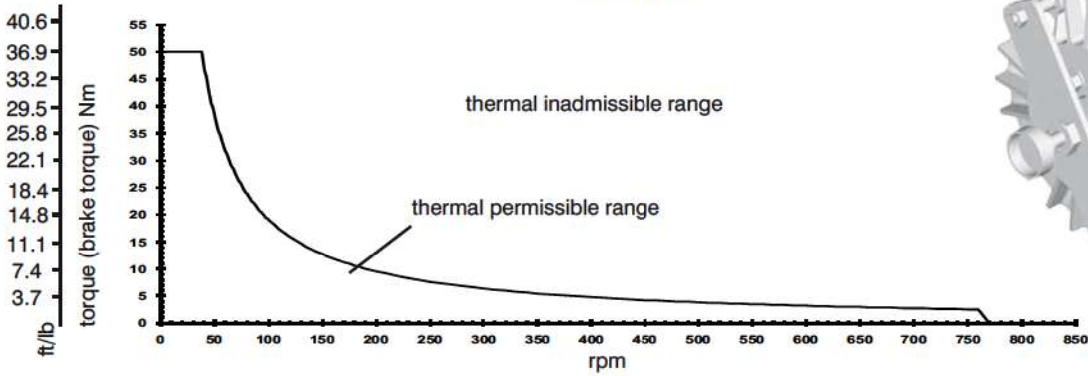
infokl@boschert.de
www.boschert.de

Tel.: +49 (0) 7621 / 9593 0
Fax: +49 (0) 7621 / 5518 4

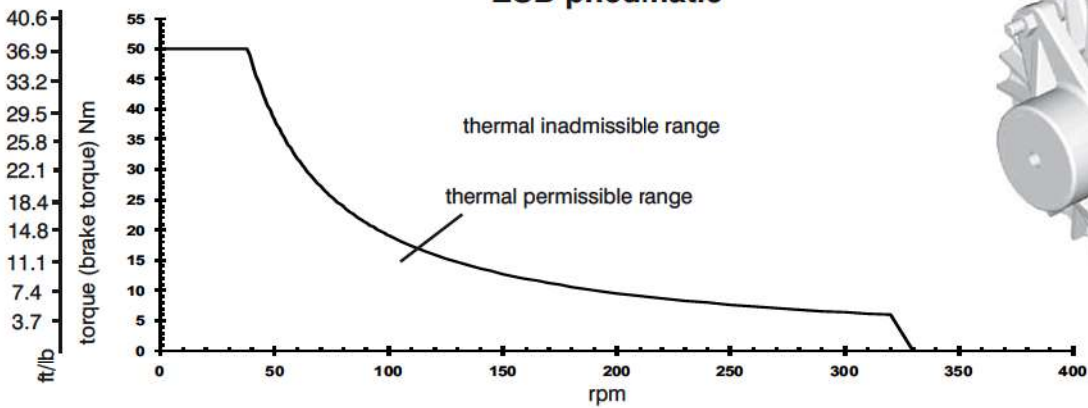
ESB performance diagrams type 40-50



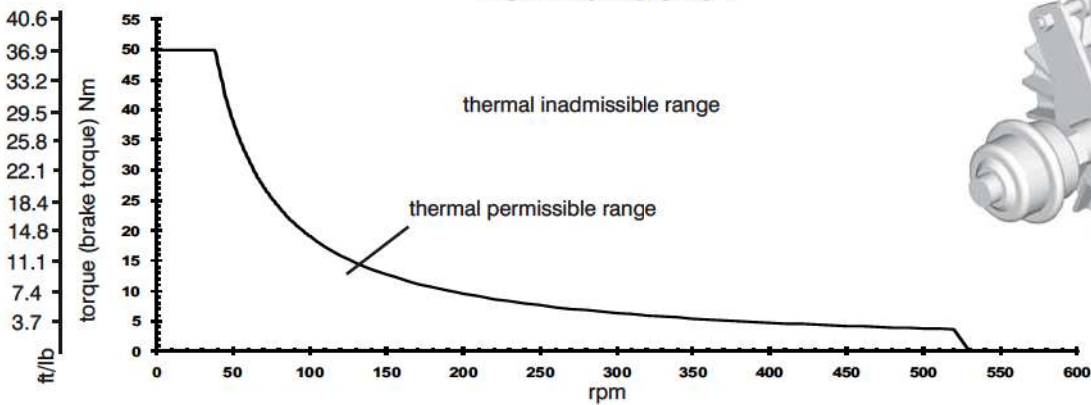
ESB manual



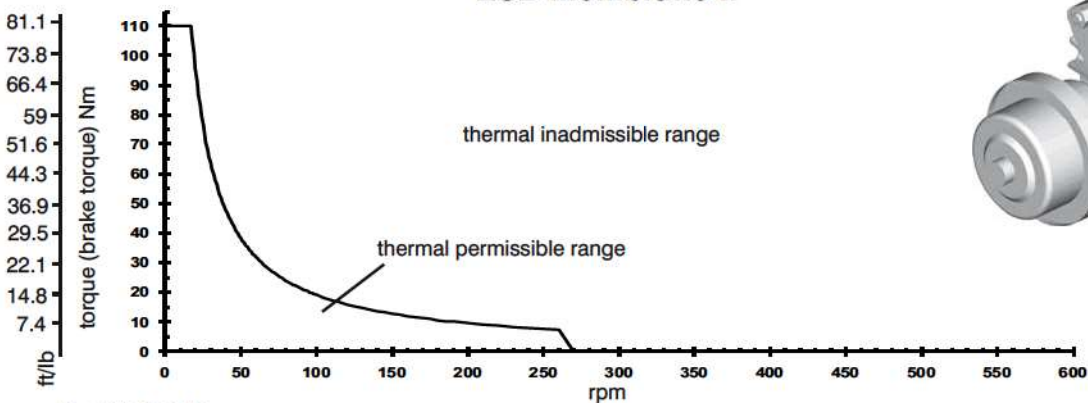
ESB pneumatic



ESB membrane I



ESB membrane II



1 Nm = 0.7376 ft/lb

6.25

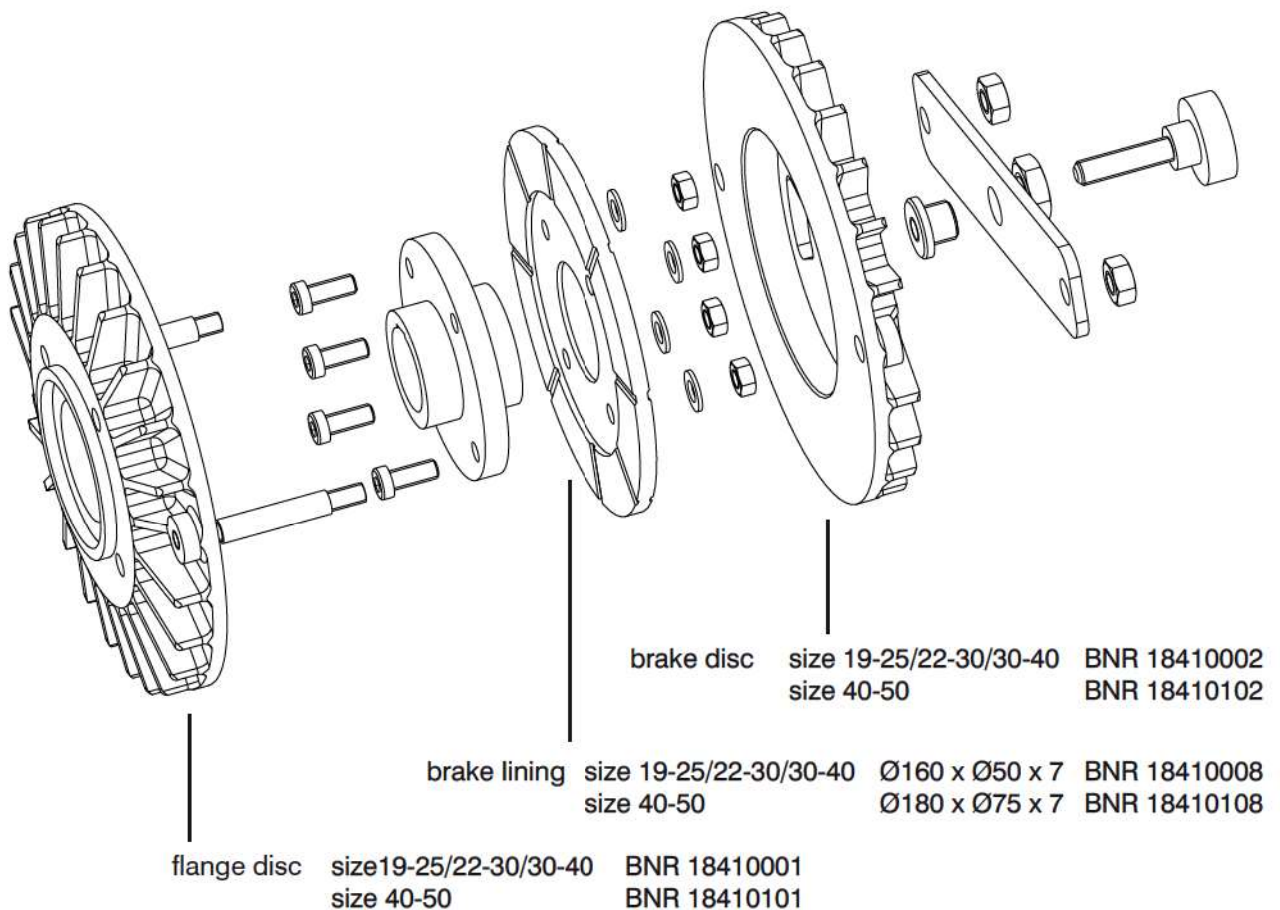
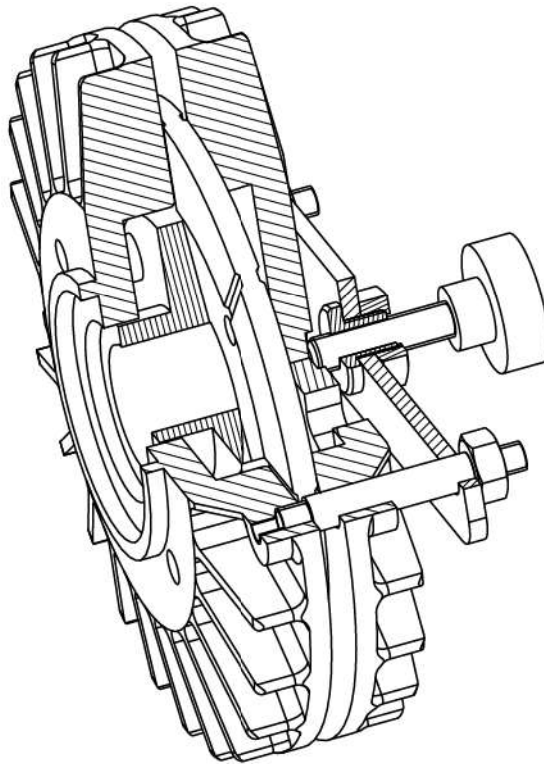
Mattenstrasse 1
D-79541 Loerrach-Hauingen

infokl@boschert.de
www.boschert.de

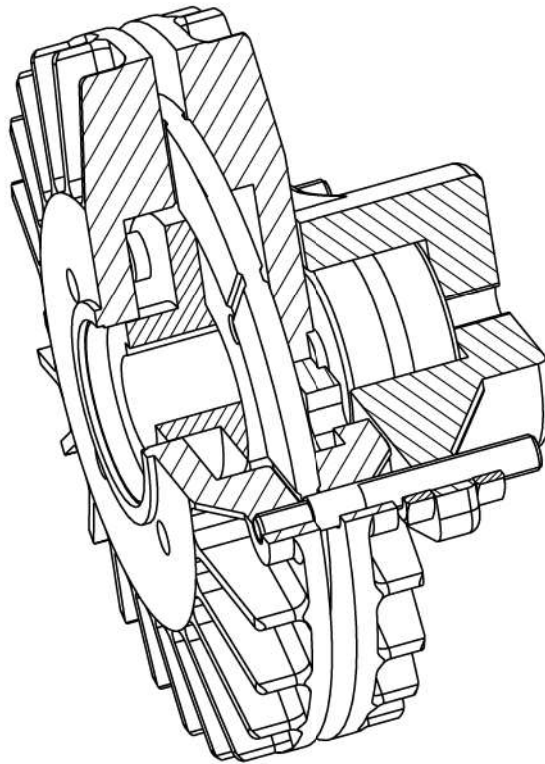
Tel.: +49 (0) 7621 / 9593 0
Fax: +49 (0) 7621 / 5518 4

Changes reserved (d)

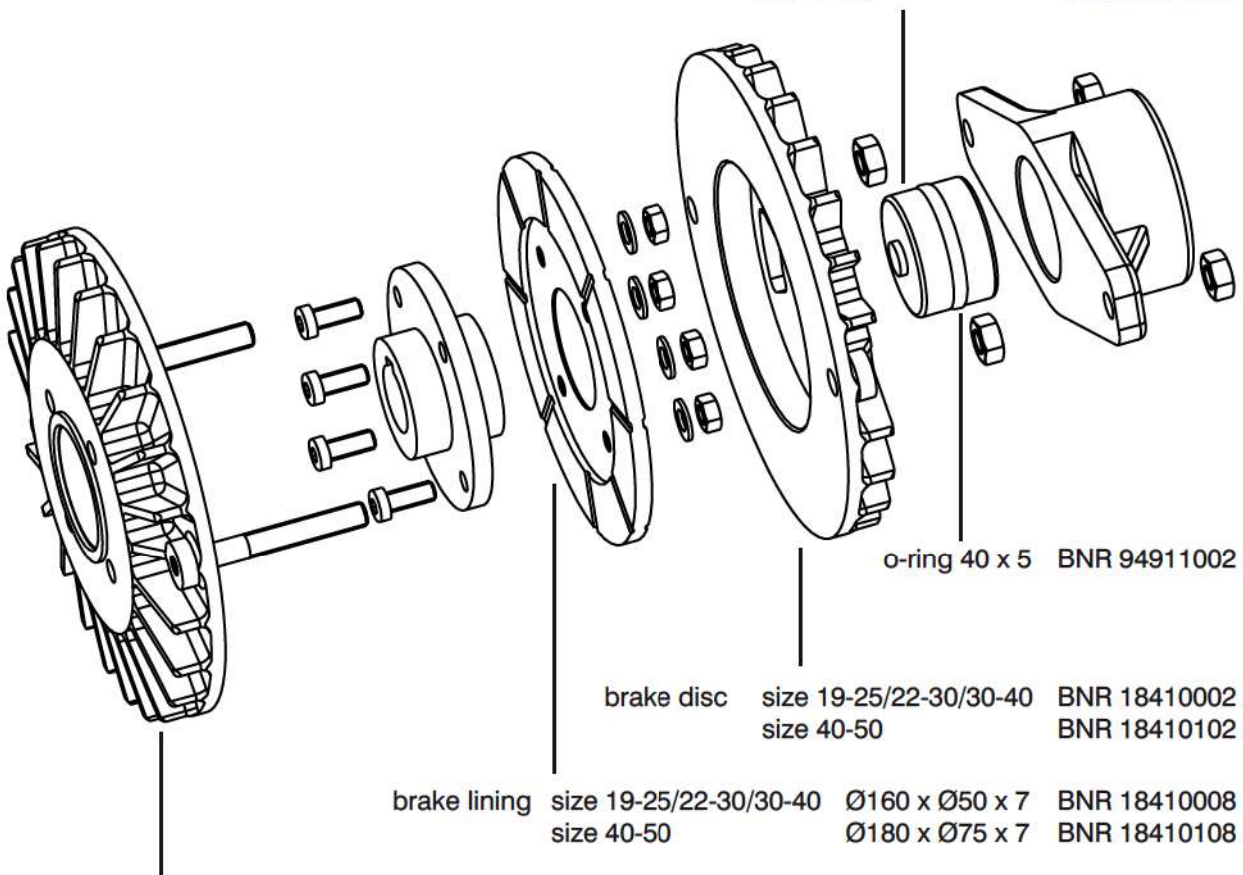
ESB manual wearing-parts



ESB pneumatic wearing-parts



pneumatic piston size 19-25/22-30/30-40 BNR 18410027
size 40-50 BNR 18410127



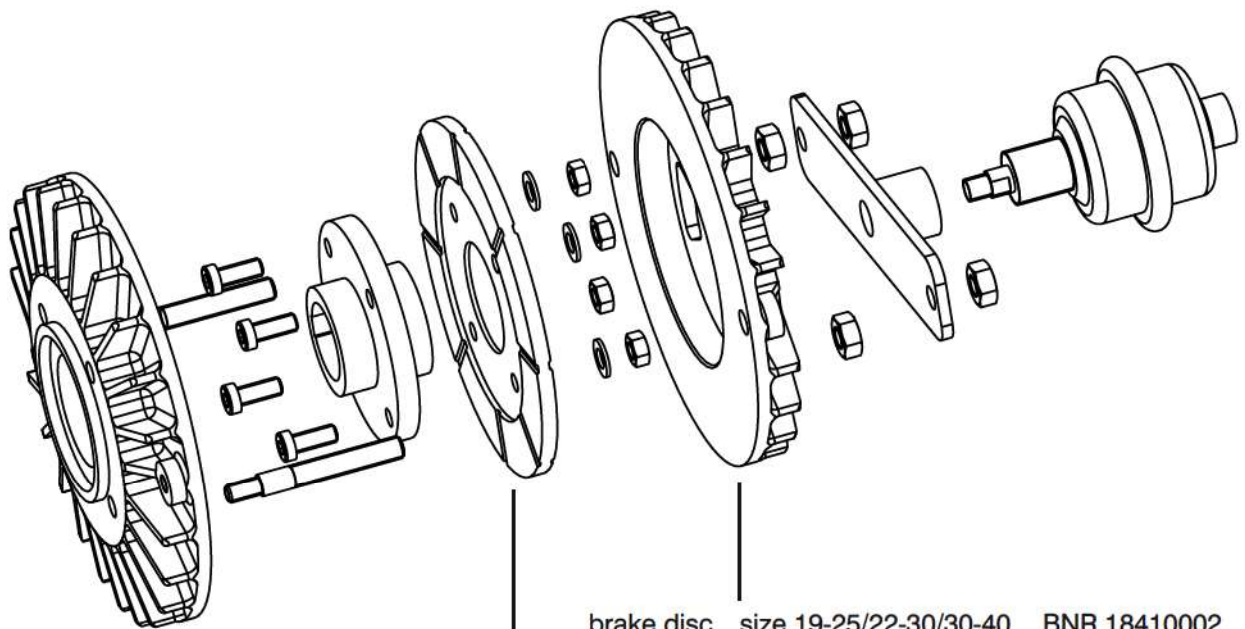
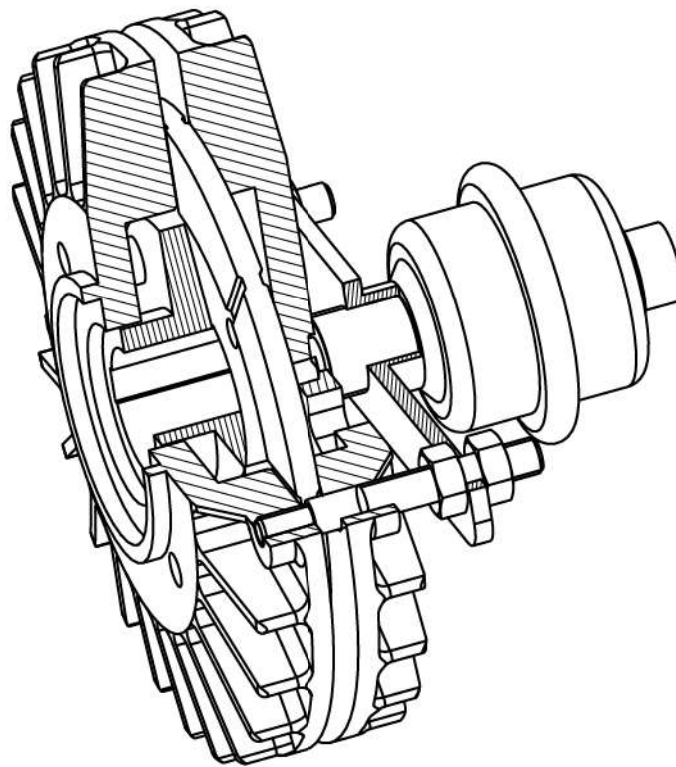
o-ring 40 x 5 BNR 94911002

brake disc size 19-25/22-30/30-40 BNR 18410002
size 40-50 BNR 18410102

brake lining size 19-25/22-30/30-40 Ø160 x Ø50 x 7 BNR 18410008
size 40-50 Ø180 x Ø75 x 7 BNR 18410108

flange disc size 19-25/22-30/30-40 BNR 18410001
size 40-50 BNR 18410101

ESB membrane I wearing-parts

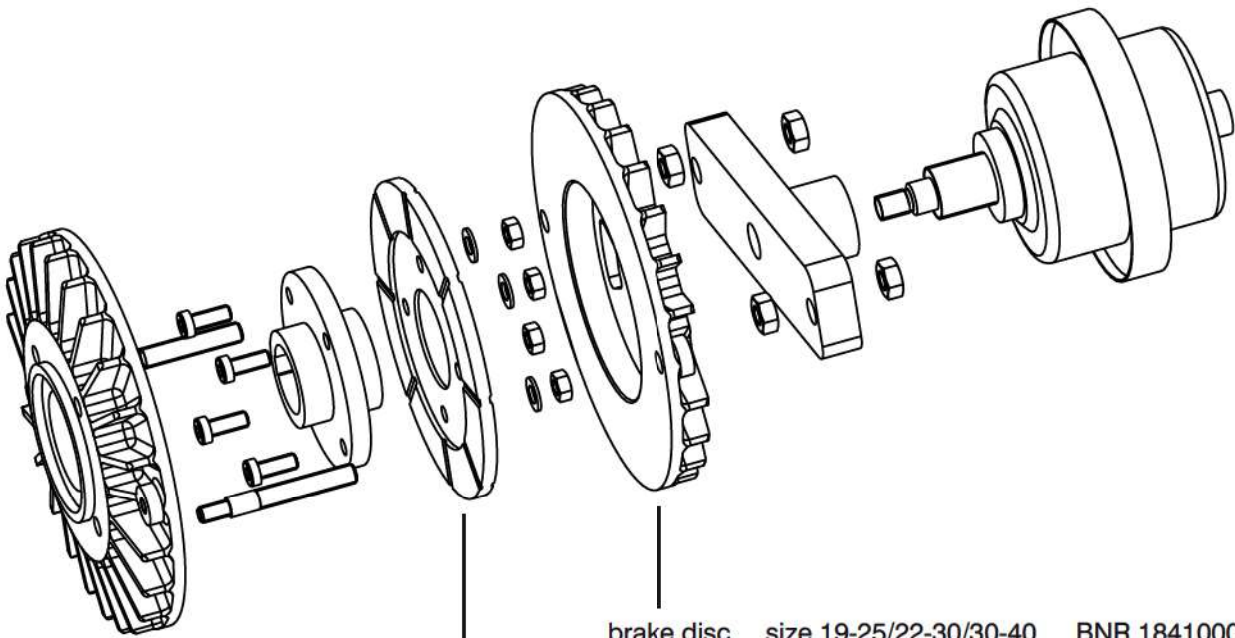
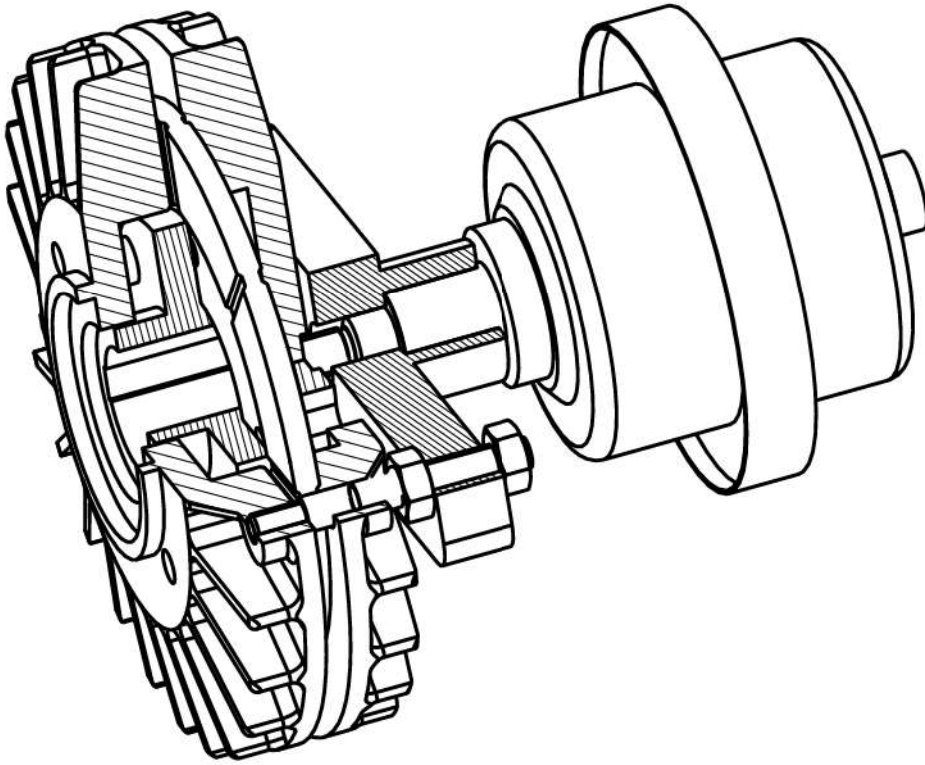


flange disc size 19-25/22-30/30-40 BNR 18410001
size 40-50 BNR 18410101

brake lining size 19-25/22-30/30-40 $\varnothing 160 \times \varnothing 50 \times 7$ BNR 18410008
size 40-50 $\varnothing 180 \times \varnothing 75 \times 7$ BNR 18410108

brake disc size 19-25/22-30/30-40 BNR 18410002
size 40-50 BNR 18410102

ESB membrane II wearing-parts



flange disc size 19-25/22-30/30-40 BNR 18410001
size 40-50 BNR 18410101

brake lining size 19-25/22-30/30-40 Ø160 x Ø50 x 7 BNR 18410008
size 40-50 Ø180 x Ø75 x 7 BNR 18410108

brake disc size 19-25/22-30/30-40 BNR 18410002
size 40-50 BNR 18410102

6.40 Double disc brake type DSB



Double disc brake manual



Double disc brake pneumatic



Double disc brake with membrane cylinder I

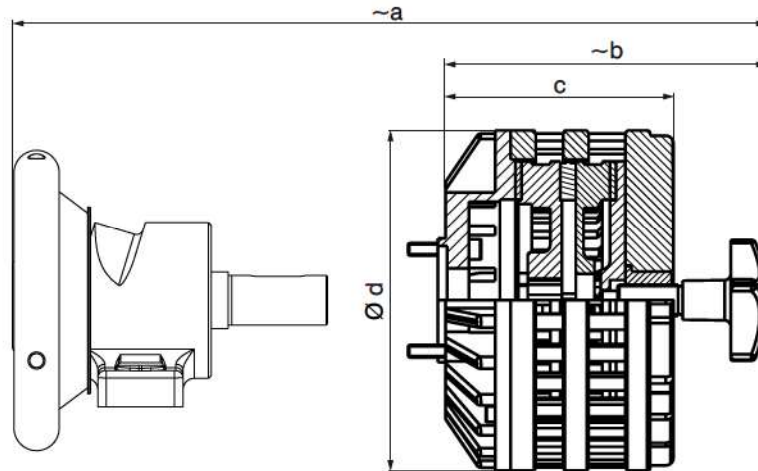


Double disc brake with membrane cylinder II

	DSB			
	manual	pneumatic	membrane I	membrane II
type 30-40 / A40 / P40				
performance kW (h.p.)	0,6 (0.805)	0,6 (0.805)	0,6 (0.805)	0,6 (0.805)
max. brake torque Nm (ft/lb)	200 (147,5)	200 (147,5)	200 (147,5)	440 (324,5)
type 40-50 / A50 / P50				
performance kW (h.p.)	0,6 (0.805)	0,6 (0.805)	0,6 (0.805)	0,6 (0.805)
max. brake torque Nm (ft/lb)	200 (147,5)	200 (147,5)	200 (147,5)	440 (324,5)
type 50-80 / A80				
performance kW (h.p.)	0,6 (0.805)	0,6 (0.805)	0,6 (0.805)	0,6 (0.805)
max. brake torque Nm (ft/lb)	200 (147,5)	200 (147,5)	200 (147,5)	440 (324,5)

All data is on a basis of 5 bar (72,5 psi) pressure.

Safety Chuck with manual double disc brake

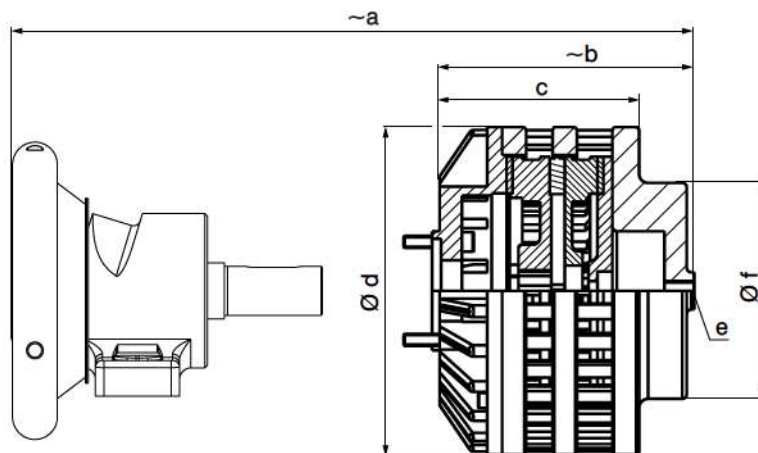


picture of chuck just symbolic

	a	b	c	d
Safety Chuck 30-40 + DSB manual	352	215	147	220
Safety Chuck 40-50 + DSB manual	403	215	147	220
Safety Chuck 50-80 + DSB manual	472	215	147	220

Dimension schedule for Boschert-Chuck see chapter 2.30 - 2.50

Safety Chuck with pneumatic double disc brake



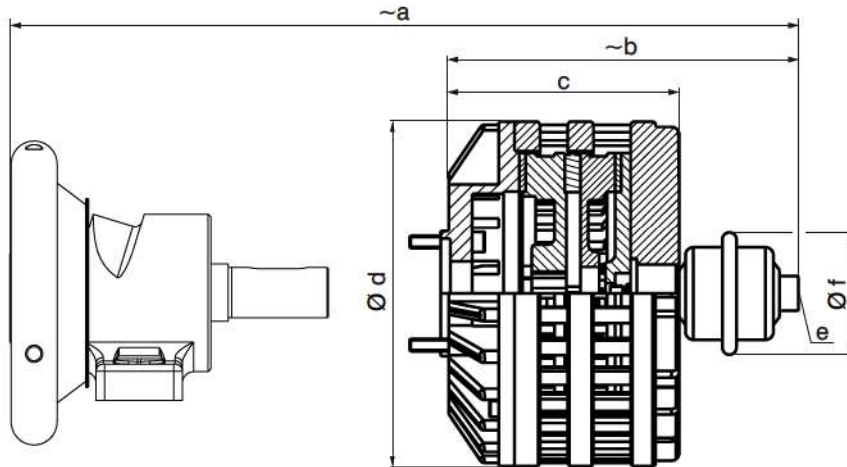
picture of chuck just symbolic

	a	b	c	d	e	f
Safety Chuck 30-40 + DSB pneumatic	310	170	147	200	G 1/4	145
Safety Chuck 40-50 + DSB pneumatic	361	170	147	200	G 1/4	145
Safety Chuck 50-80 + DSB pneumatic	430	170	147	235	G 1/4	145

Dimension schedule for Boschert-Chuck see chapter 2.30 - 2.50

DSB membrane cylinder I / DSB membrane cylinder II

Safety Chuck with double disc brake and membrane cylinder I

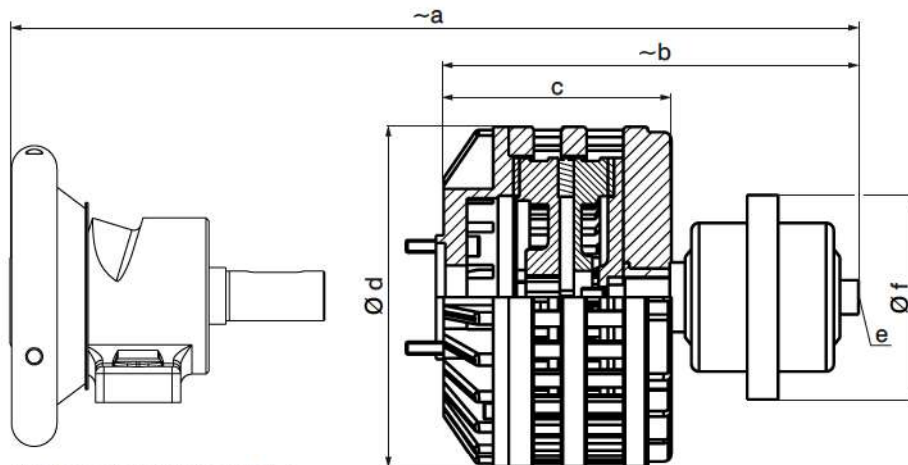


picture of chuck just symbolic

	a	b	c	d	e	f
Safety Chuck 30-40 + DSB membrane I	363	226	146	220	G 1/4	80
Safety Chuck 40-50 + DSB membrane I	414	226	146	220	G 1/4	80
Safety Chuck 50-80 + DSB membrane I	483	226	146	220	G 1/4	80

Dimension schedule for Boschert-Chuck see chapter 2.30 - 2.50

Safety Chuck with double disc brake and membrane cylinder II

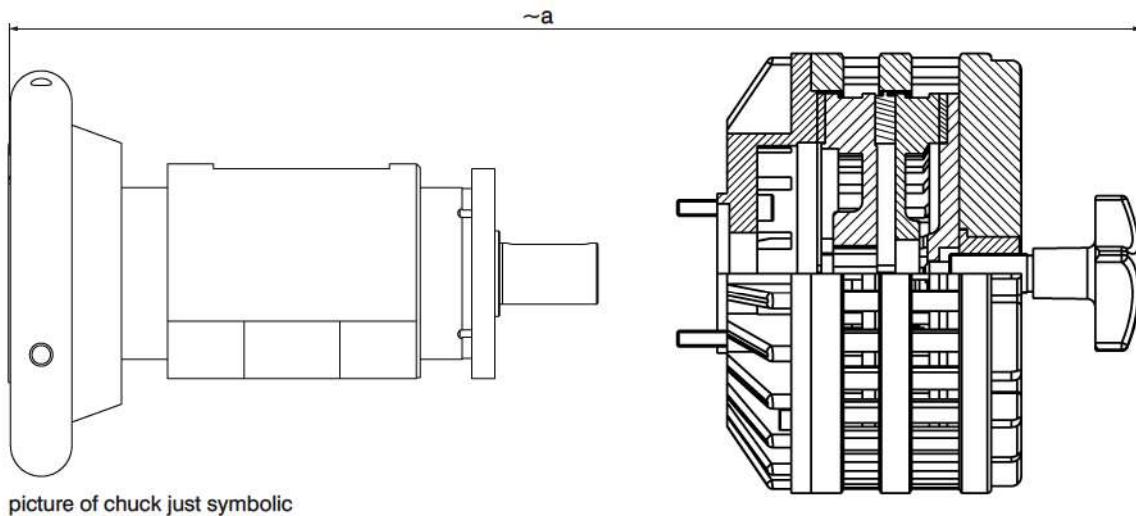


picture of chuck just symbolic

	a	b	c	d	e	f
Safety Chuck 30-40 + DSB membrane II	423	286	146	220	G 1/4	132
Safety Chuck 40-50 + DSB membrane II	474	286	146	220	G 1/4	132
Safety Chuck 50-80 + DSB membrane II	543	286	146	220	G 1/4	132

Dimension schedule for Boschert-Chuck see chapter 2.30 - 2.50

Overall dimension DSB with Sliding-, A- and P-chuck



picture of chuck just symbolic

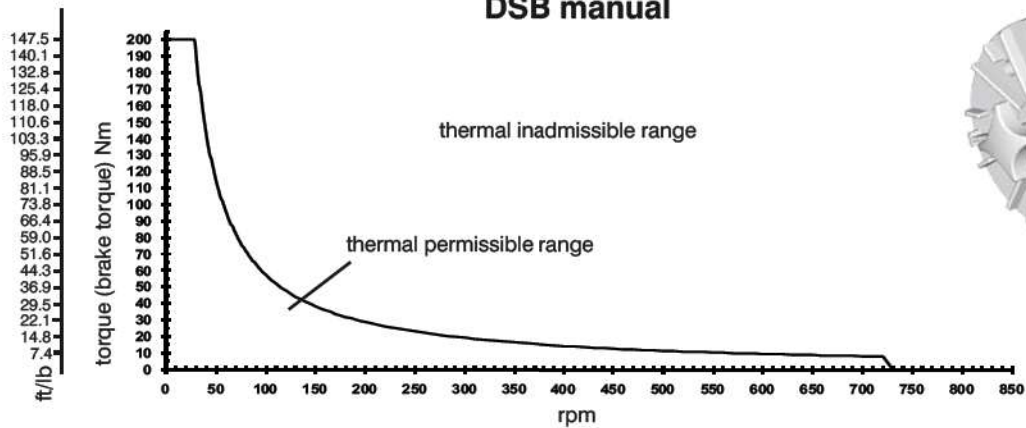
overall dimension „a“
for Boschert Sliding -, A- and P-Chuck (flange- and foot mounted chuck)

	DSB				chuck dim. on page
	manual	pneumatic	membrane I	membrane II	
brake dim. on page	6.41	6.41	6.42	6.42	
Sliding-Chuck					
30-40					
50 mm adjustment	469	424	480	540	3.03 - 3.06
100 mm adjustment	569	524	580	640	3.03 - 3.06
40-50					
50 mm adjustment	472	430	485	546	3.03 - 3.06
100 mm adjustment	575	530	585	646	3.03 - 3.06
A Chuck					
A40	365	325	375	435	4.21 - 4.22
A50	412	370	423	483	4.31 - 4.32
A80	492	450	503	563	4.41 - 4.42
P Chuck					
P40	432	390	438	495	4.61 - 4.62
P50	468	426	507	539	4.71 - 4.72

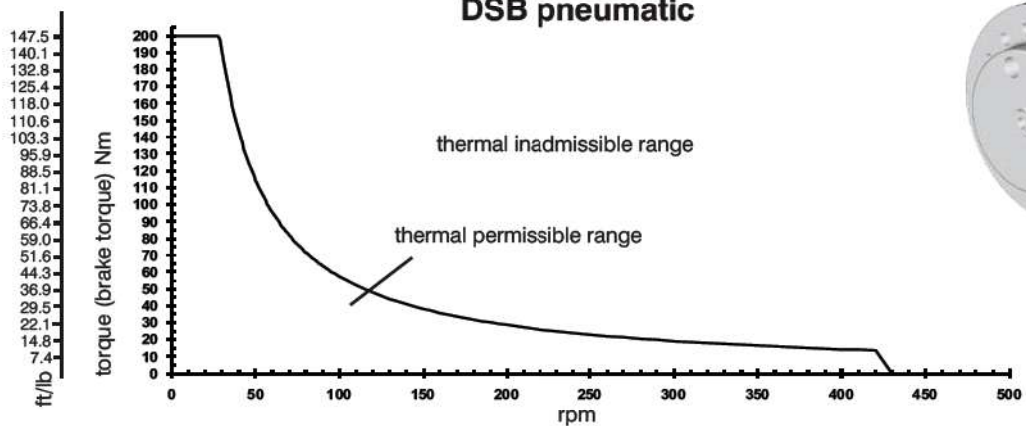
A Chucks = A Series Pneumatic Safety Chucks
P Chucks = P Series Pneumatic Safety Chucks

DSB performance diagrams type 30-40 / 40-50 / 50-80

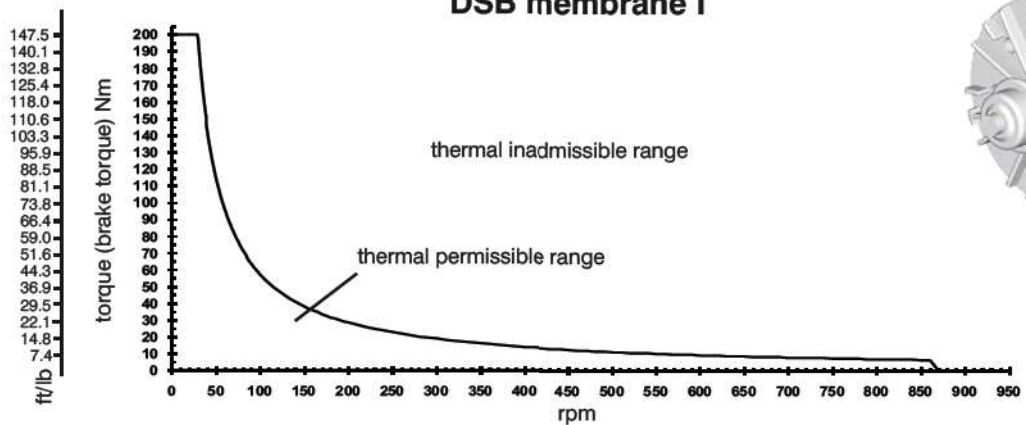
DSB manual



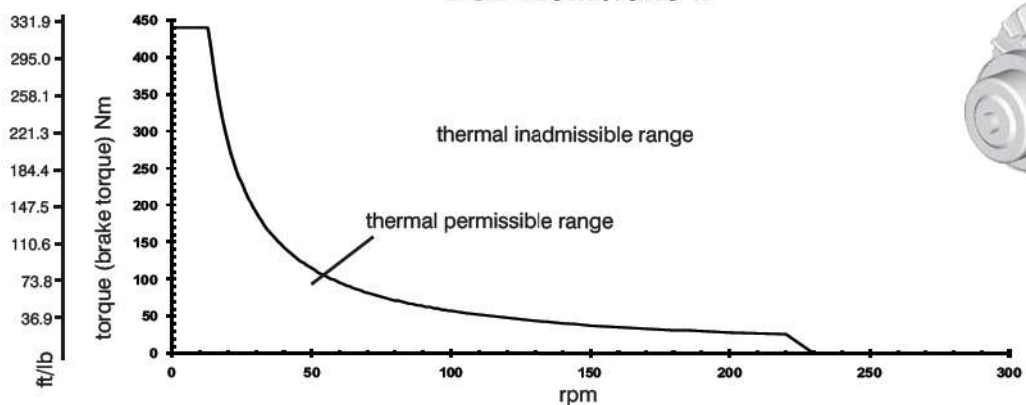
DSB pneumatic

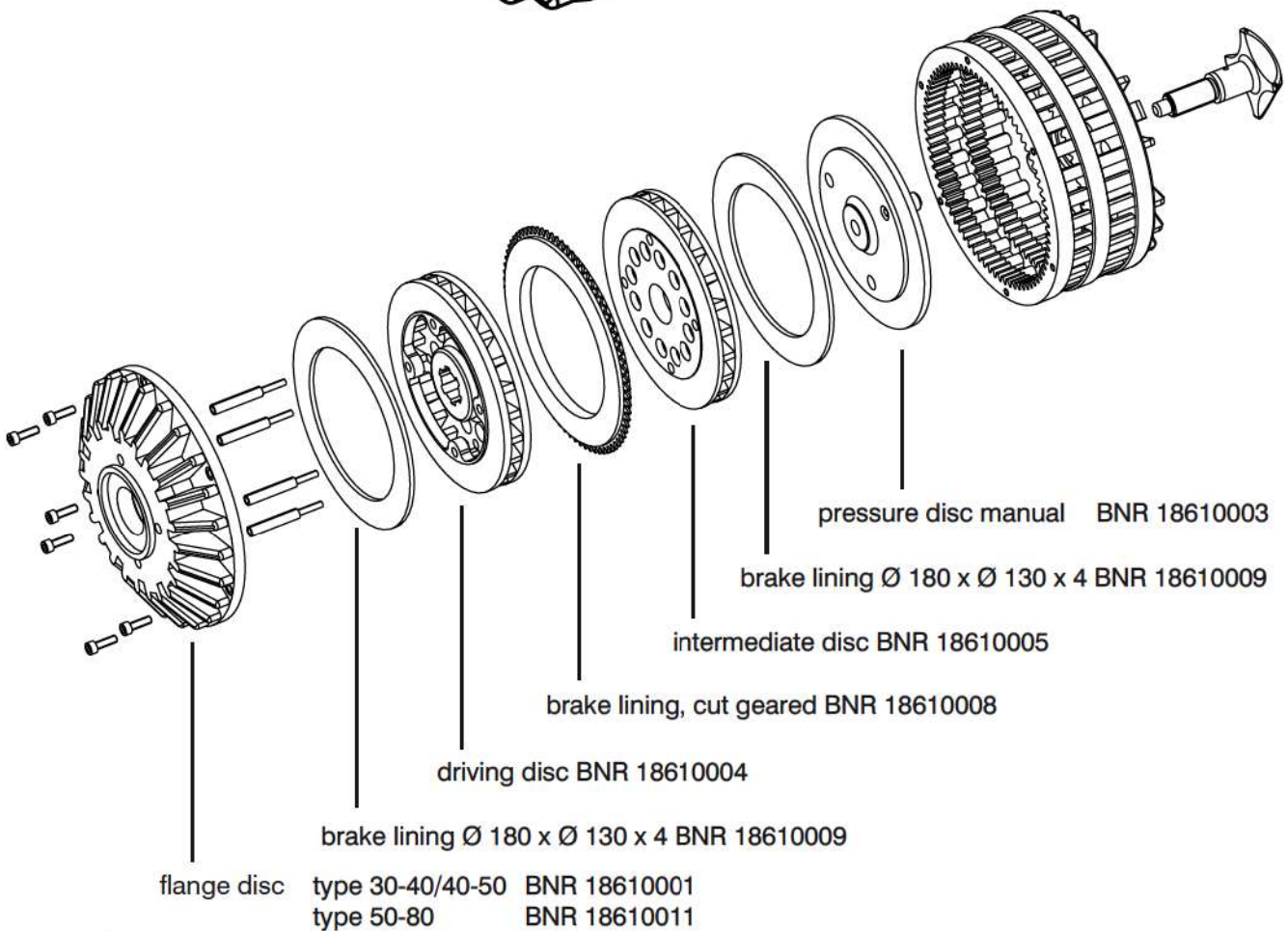
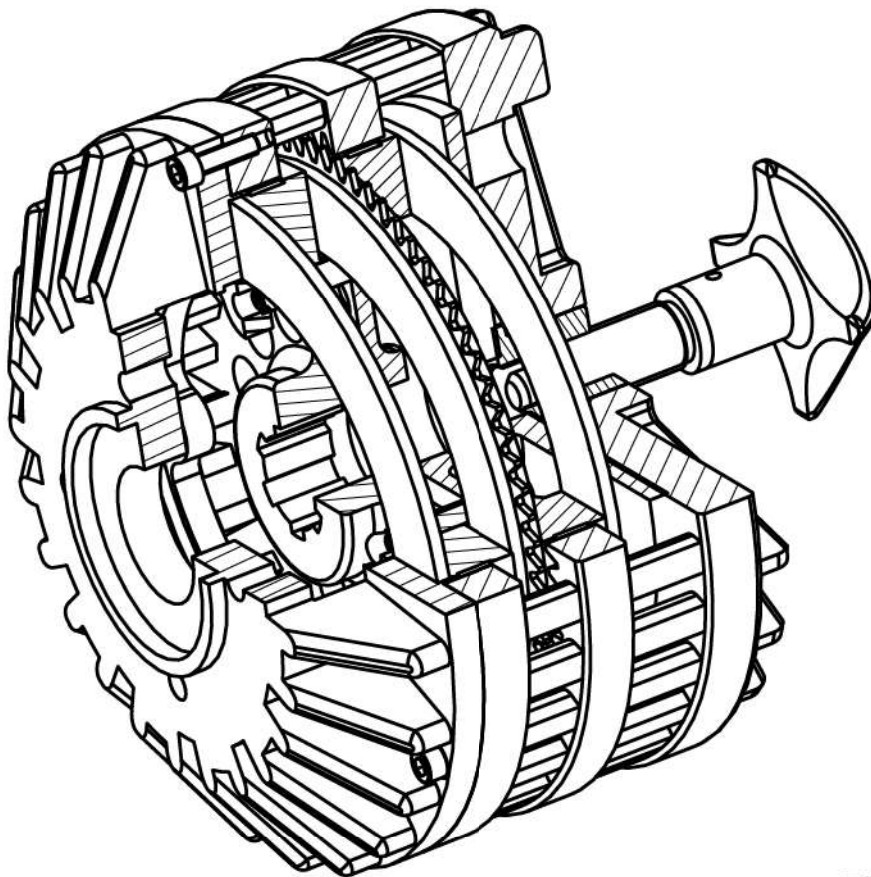


DSB membrane I

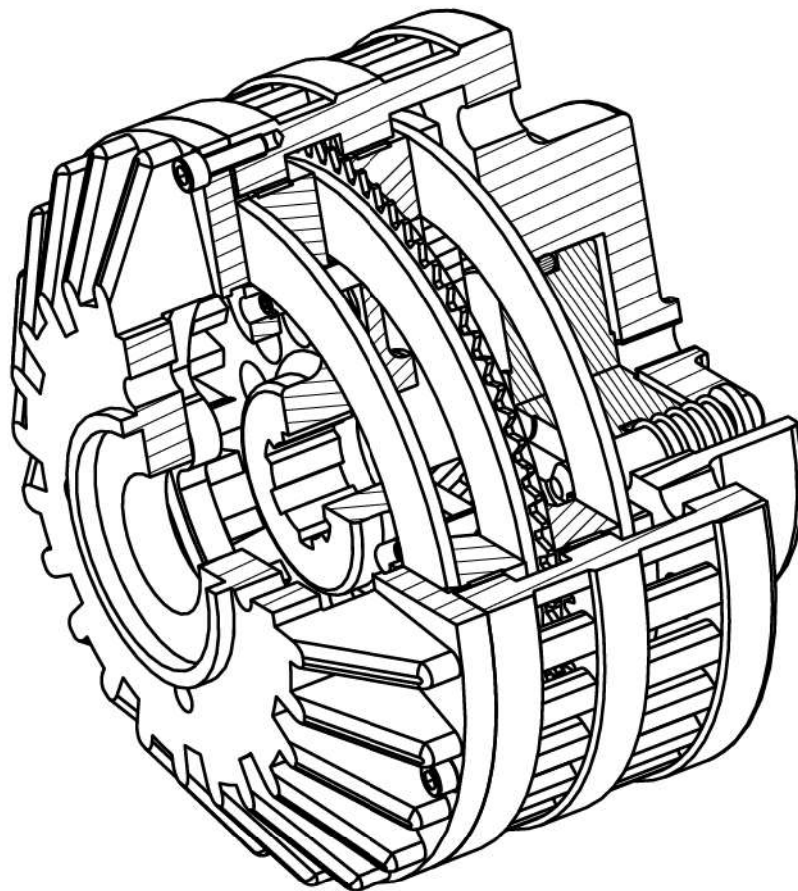


DSB membrane II

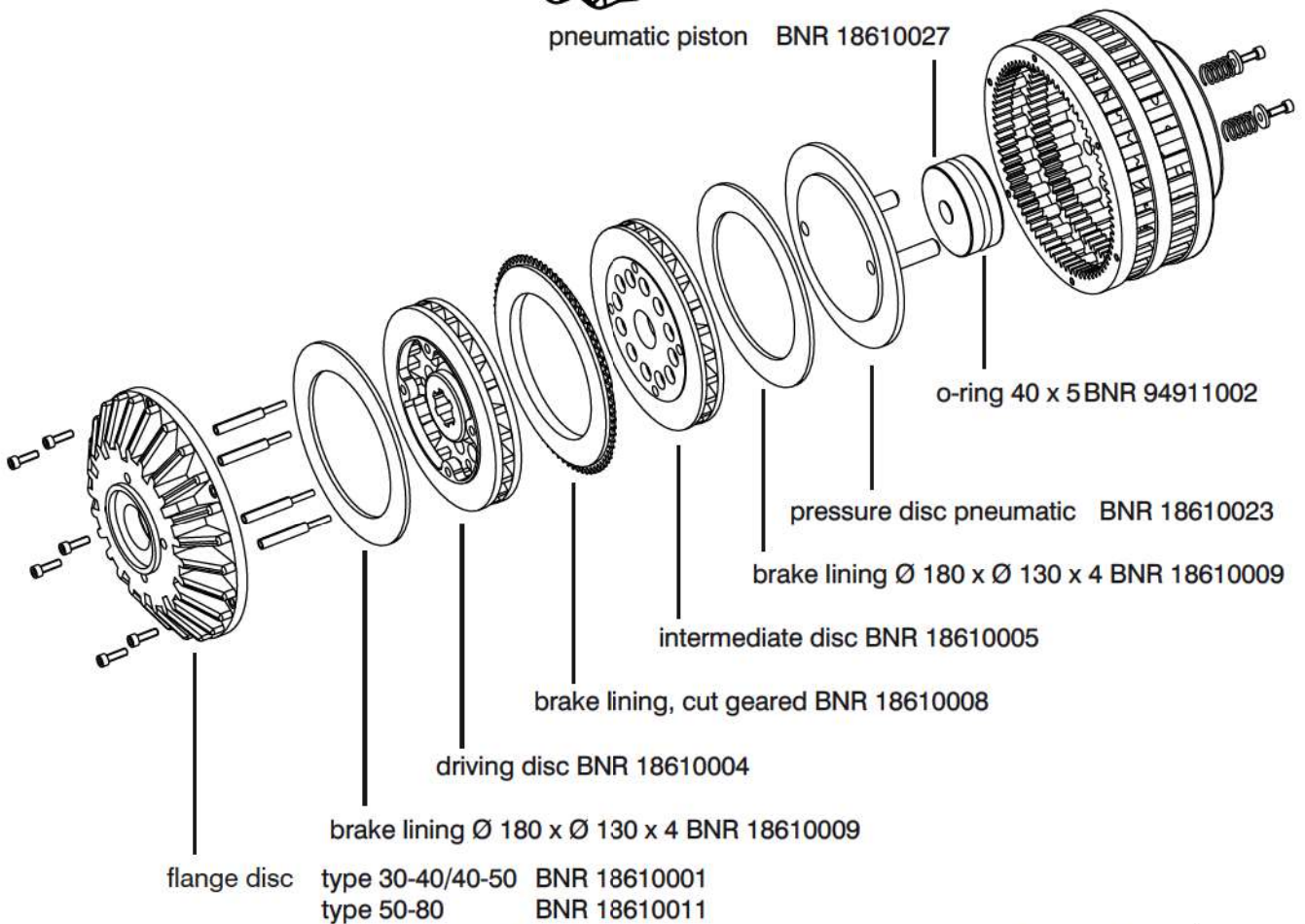




DSB pneumatic wearing-parts



pneumatic piston BNR 18610027



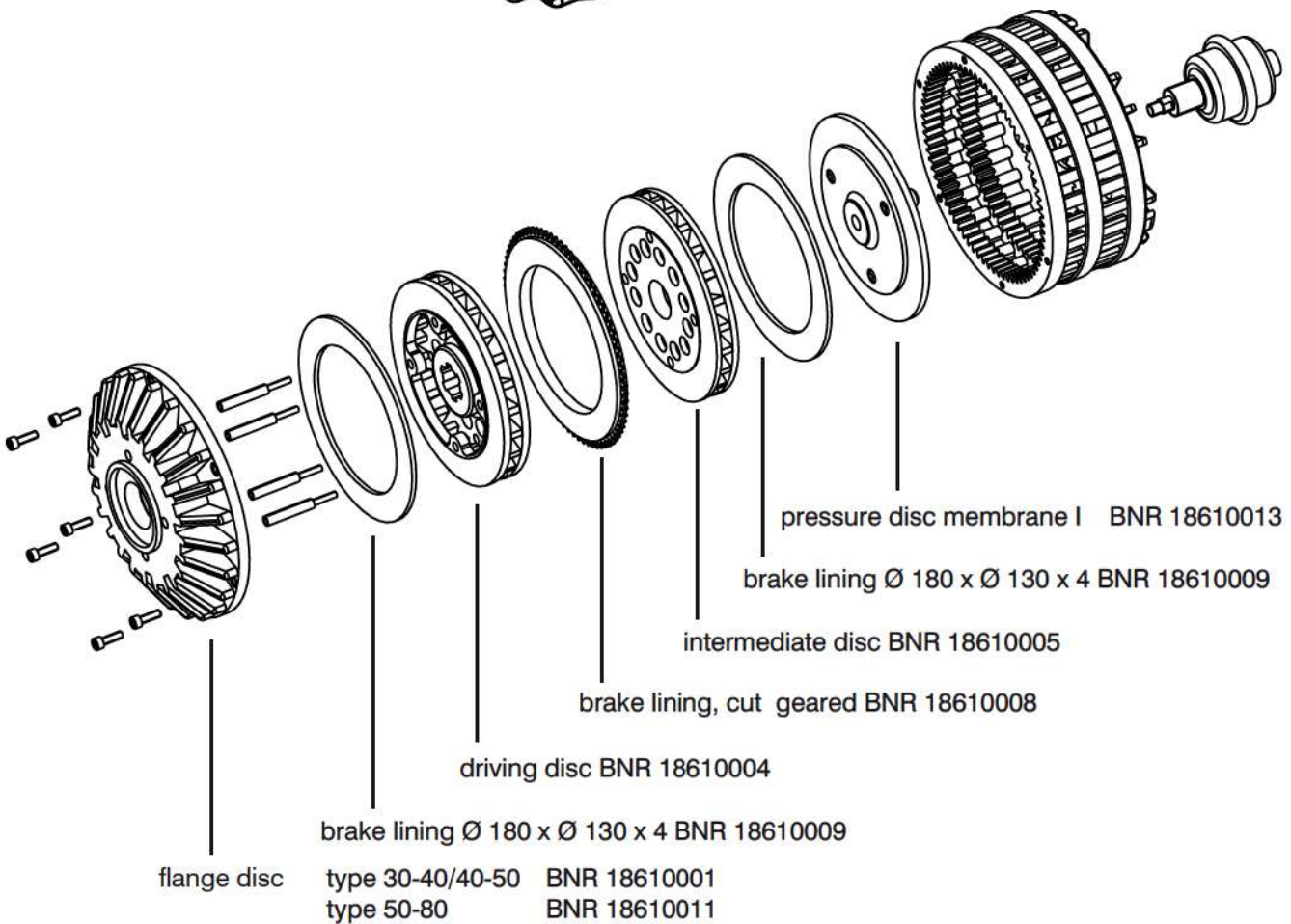
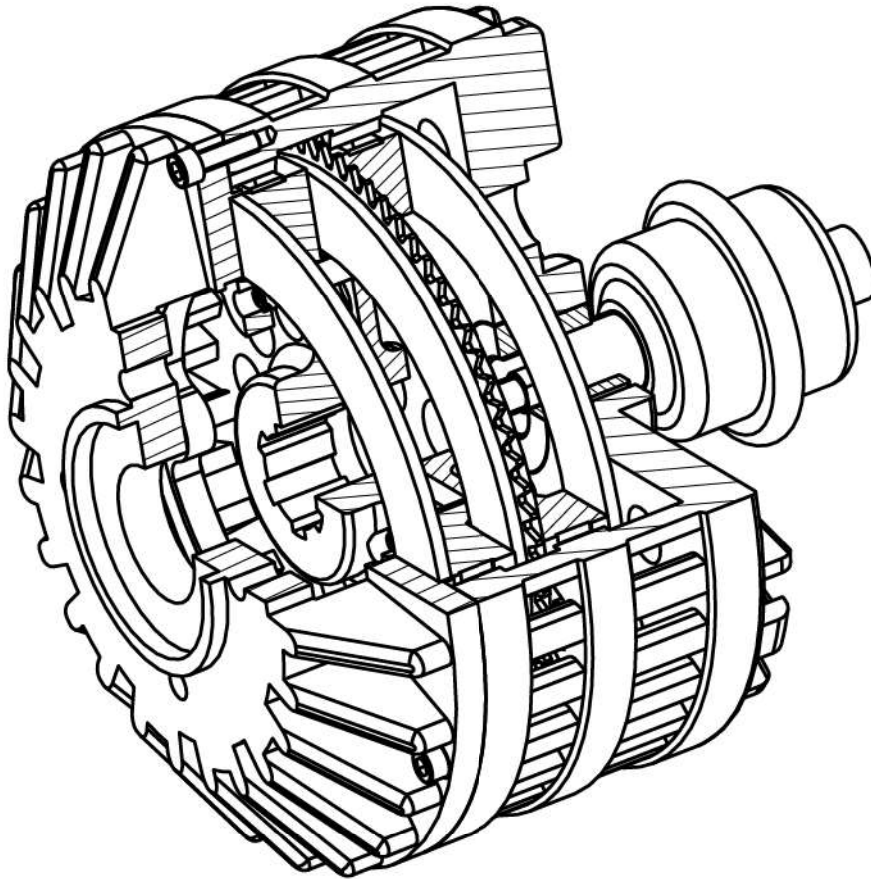
Mattenstrasse 1
D-79541 Loerrach-Hauingen

infokl@boschert.de
www.boschert.de

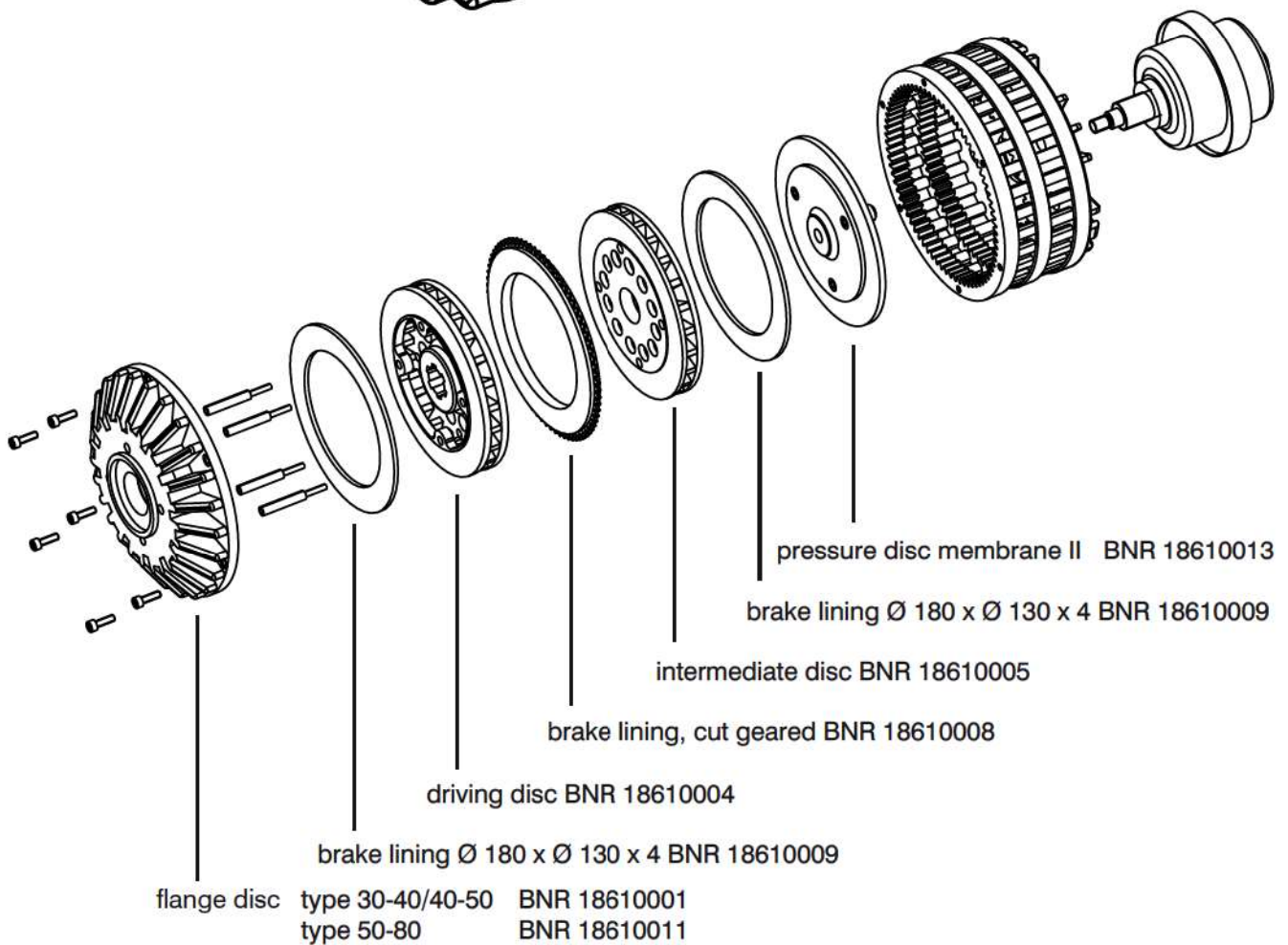
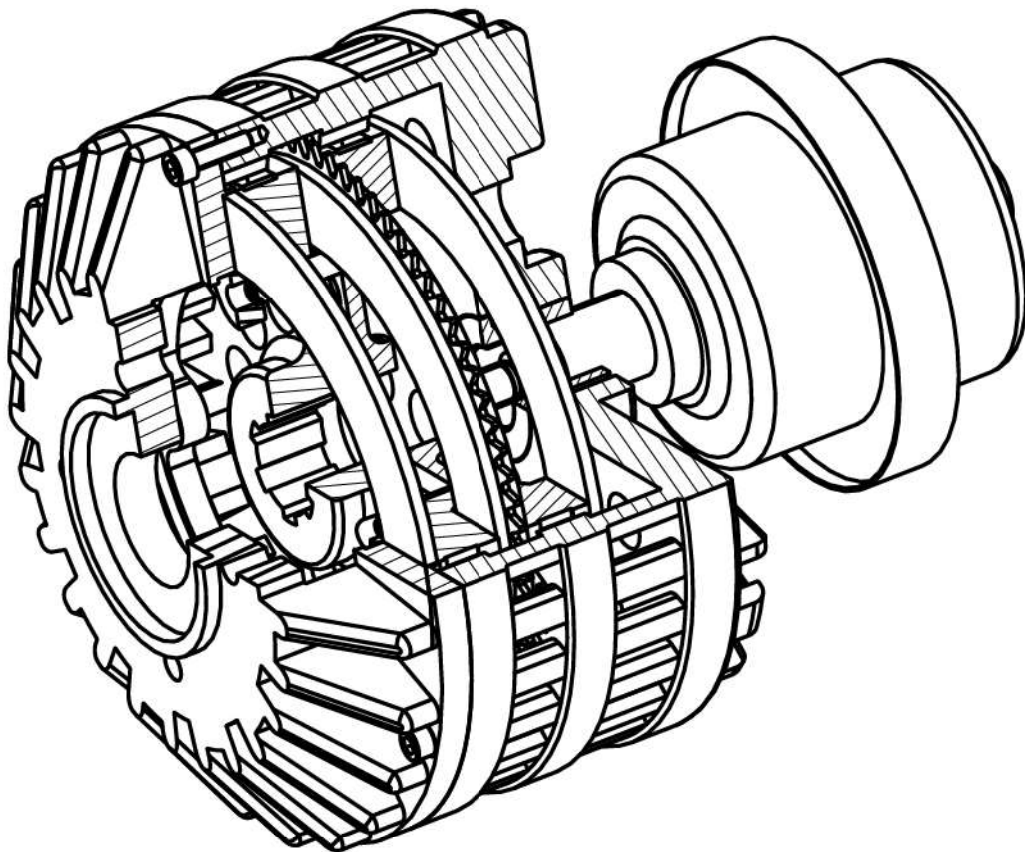
Tel.: +49 (0) 7621 / 9593 0
Fax: +49 (0) 7621 / 5518 4

6.46

DSB membrane cylinder I wearing-parts



DSB membrane cylinder II wearing-parts



6.70 MULTI
type 500 / 1500 / 3000

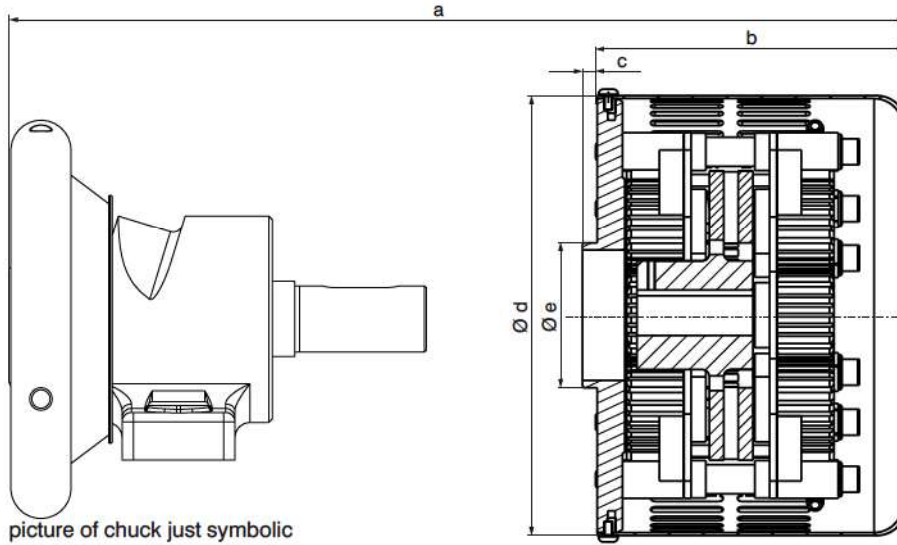


Multi pneum. disc-brake
in variable modular-design construction

	MULTI		
	500	1500	3000
type 22-30 - 50-80			
performance kW (h.p.)	0.5 (0.067)	1.5 (2.012)	3.0 (4.023)
brake torque Nm (ft/lb) per calliper	50 (36.9)	80 (59)	120 (88.5)
max. callipers	6	8	10
brake torque with max. no. of callipers Nm (ft/lb)	300 (221.3)	640 (472)	1200 (885.1)

All data is on a basis of 5 bar (72.5 psi) pressure.

Safety Chuck with MULTI



picture of chuck just symbolic

Multi 500

	a	b	c	d	e -0.1 / -0.2
Safety Chuck 22-30 + Multi	323	200	2	304	62
Safety Chuck 30-40 + Multi	340	200	5	304	80
Safety Chuck 40-50 + Multi	391	200	7.5	304	100
Safety Chuck 50-80 + Multi	460	200	7.5	304	140

Multi 1500

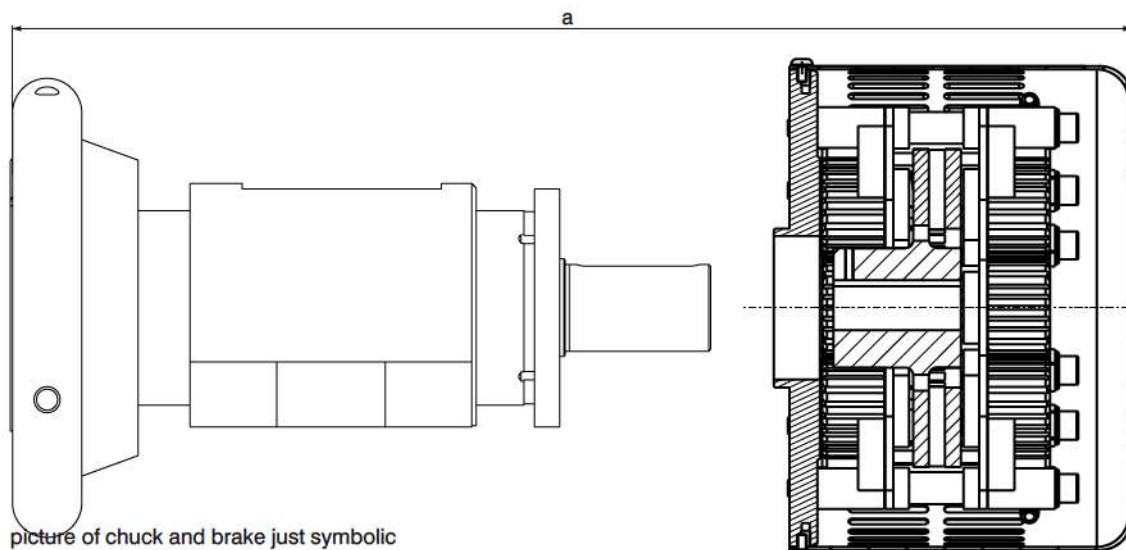
	a	b	c	d	e -0.1 / -0.2
Safety Chuck 22-30 + Multi	323	200	2	404	62
Safety Chuck 30-40 + Multi	340	200	5	404	80
Safety Chuck 40-50 + Multi	391	200	7.5	404	100
Safety Chuck 50-80 + Multi	460	200	7.5	404	140

Multi 3000

	a	b	c	d	e -0.1 / -0.2
Safety Chuck 22-30 + Multi	373	250	2	504	62
Safety Chuck 30-40 + Multi	390	250	5	504	80
Safety Chuck 40-50 + Multi	440	250	7.5	504	100
Safety Chuck 50-80 + Multi	510	250	7.5	504	140

Dimension schedule for Boschert-Chuck see chapter 2.20 - 2.40

Overall dimension MULTI with Sliding-, A- and P-Chuck



picture of chuck and brake just symbolic

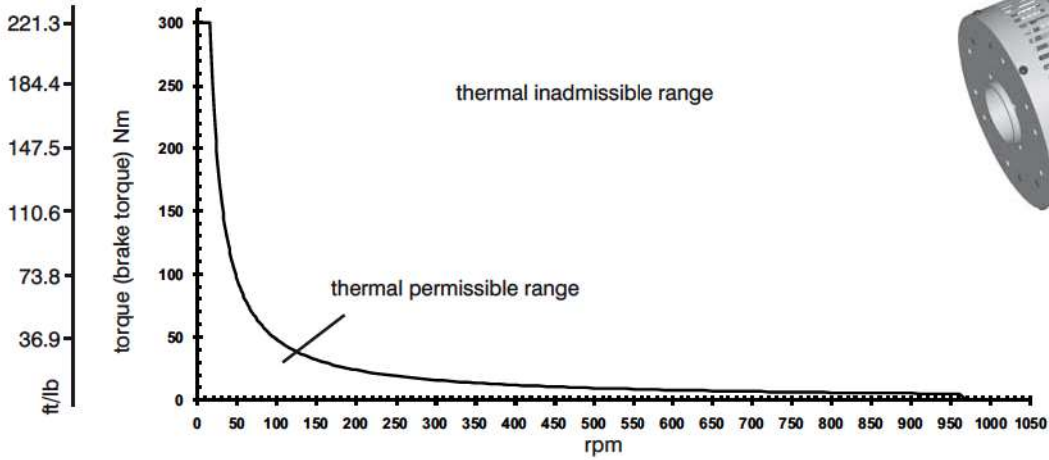
overall dimension „a“
for Boschert Sliding-Chuck (flange- and foot mounted chuck)

	Multi			chuck dim. on pag
	500	1500	3000	
brake dim. on page	6.71	6.71	6.71	
Sliding-Chuck				
22-30				
50 mm adjustment	451	451	501	3.03 - 3.06
100 mm adjustment	551	551	601	3.03 - 3.06
30-40				
50 mm adjustment	454	454	504	3.03 - 3.06
100 mm adjustment	554	554	604	3.03 - 3.06
40-50				
50 mm adjustment	460	460	510	3.03 - 3.06
100 mm adjustment	560	560	610	3.03 - 3.06
A Chuck				
A40	340	340	390	4.21 - 4.22
A50	391	391	441	4.31 - 4.32
A80	469	469	519	4.41 - 4.42
P Chuck				
P40	408	408	458	4.61 - 4.62
P50	445	445	495	4.71 - 4.72

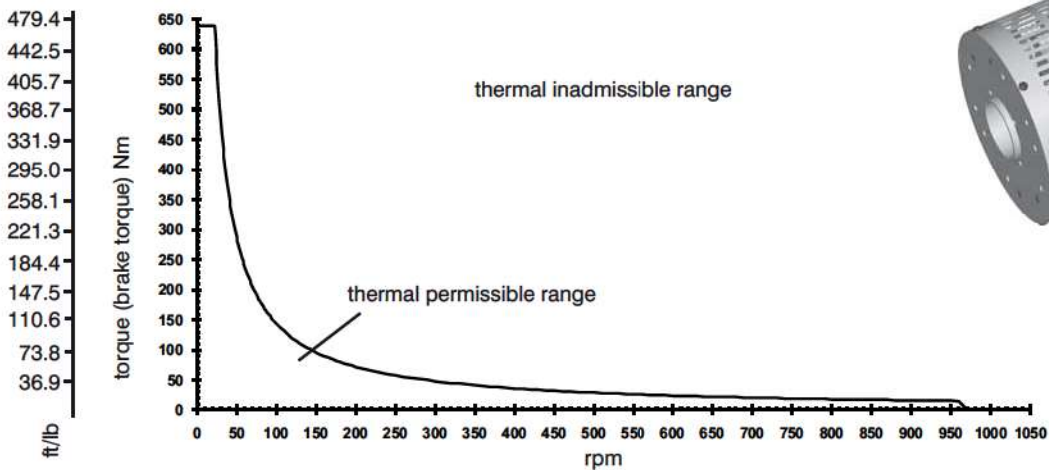
Multi performance diagrams type 500 / 1500 / 3000



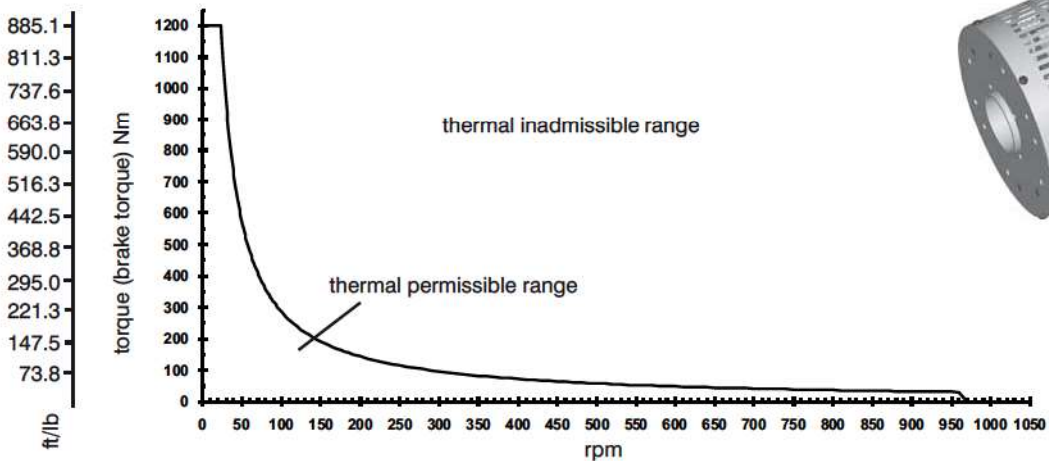
Multi 500



Multi 1500



Multi 3000



1 Nm = 0.7376 ft/lb

6.73

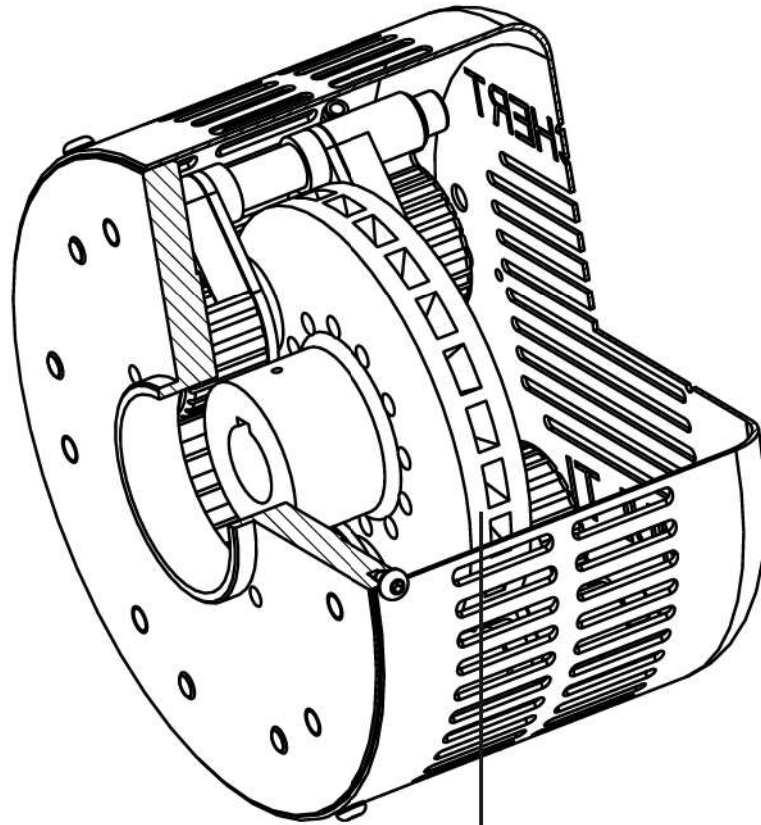
Mattenstrasse 1
D-79541 Loerrach-Hauingen

infokl@boschert.de
www.boschert.de

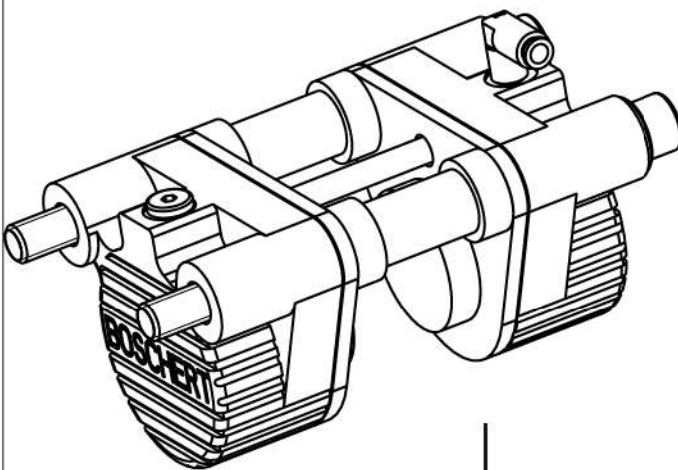
Tel.: +49 (0) 7621 / 9593 0
Fax: +49 (0) 7621 / 5518 4

Changes reserved (a)

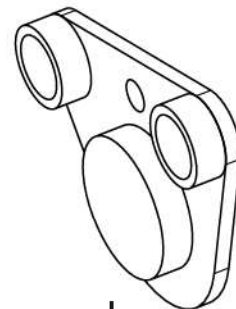
MULTI wearing-parts



brake disc
Please note on your order:
- size of Safety Chuck
- size of brake



calliper BNR 18500002



brake lining BNR 18500005-1

1 set brake linings = 2 pieces

7.0 Clutch schedule



	Clutch			Info
	manual	pneumatic	membrane I	
Type Mini				7.00
friction performance kW (h.p.)	0,1	0,1	0,1	
max. friction torque Nm (ft/lb)	30	30	30	



	clutch			Info
	manual	pneumatic	membrane I	
Type 22-30 to 40-50				7.20
friction performance kW (h.p.)	0,2	0,2	0,2	
max. friction torque Nm (ft/lb)	50	50	50	

**7.00 Clutch
type mini**



Clutch manual



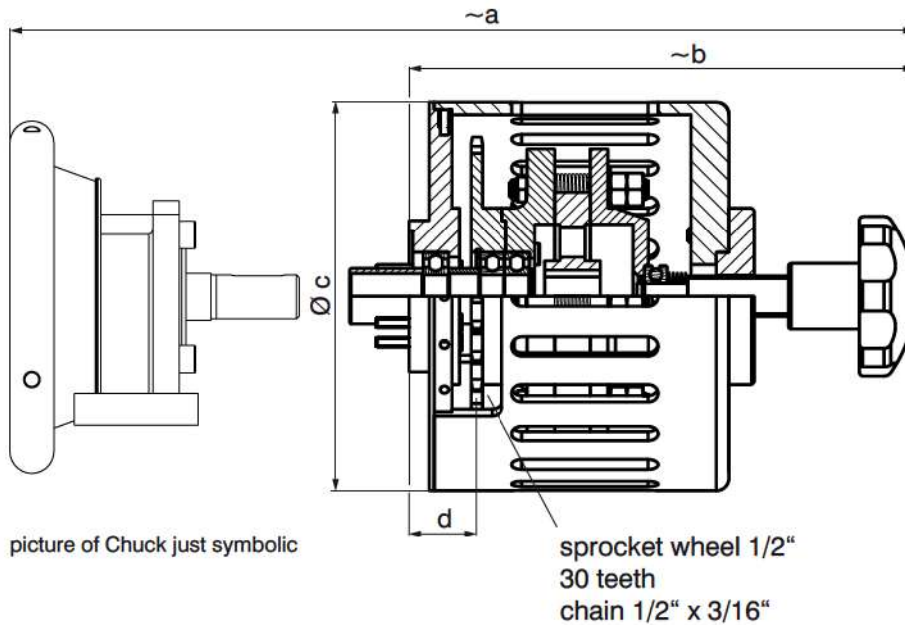
Clutch pneumatic



Clutch with membrane cylinder I

	Clutch		
	manual	pneumatic	membrane I
type mini			
friction performance kW (h.p.)	0.1 (0.134)	0.1 (0.134)	0.1 (0.134)
max. friction torque Nm (ft/lb)	30 (22.1)	30 (22.1)	30 (22.1)

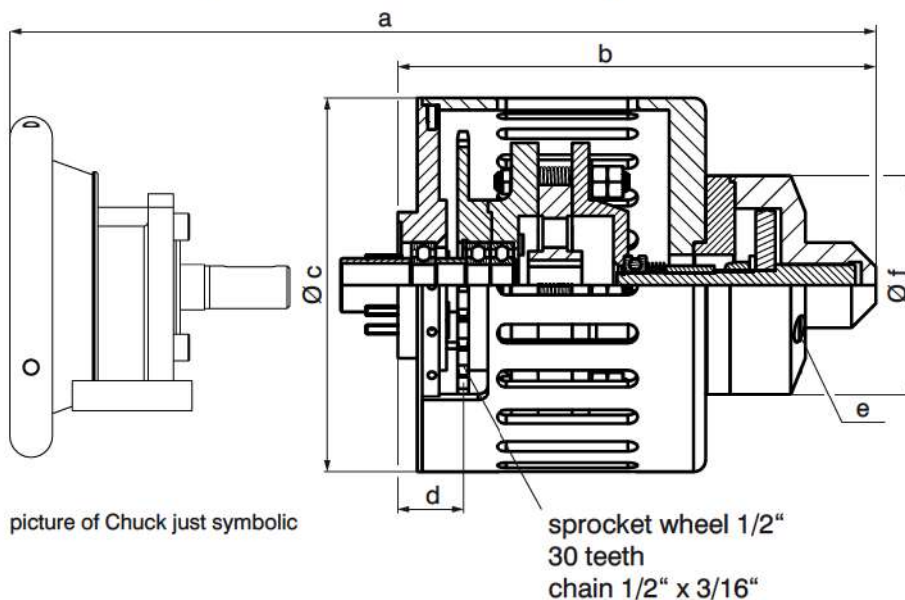
Safety Chuck with clutch manual



	a	b	c	d
Safety Chuck Mini + Clutch manual	264	200	162	32.5

Dimension schedule for Boschert-Chuck see chapter 2.00

Safety Chuck with clutch pneumatic

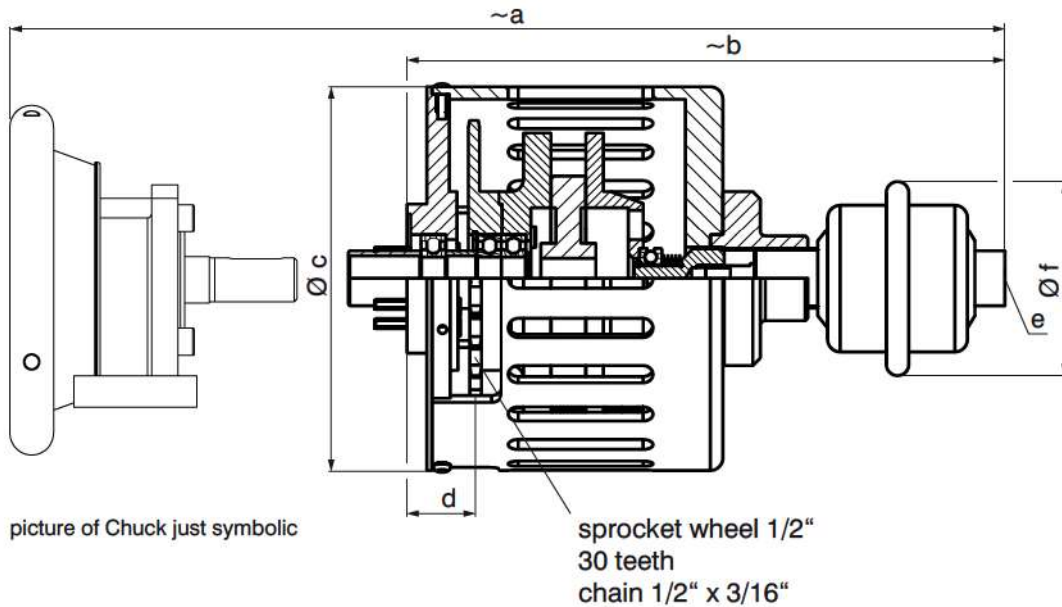


	a	b	c	d	e	f
Safety Chuck Mini + Clutch pneumatic	261	197	162	32,5	G 1/8	80

Dimension schedule for Boschert-Chuck see chapter 2.00

Clutch mini and membrane cylinder I

Safety Chuck with clutch and membrane cylinder I



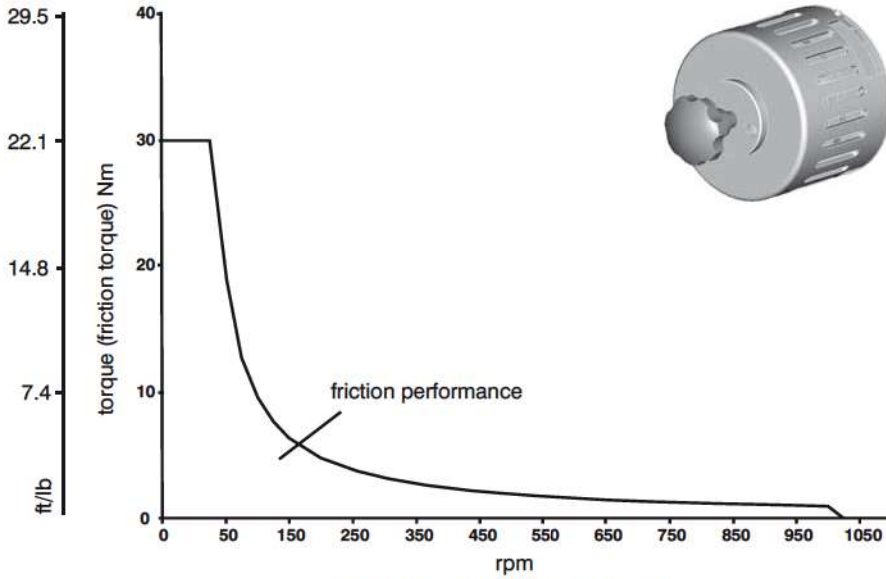
	a	b	c	d	e	f
Safety Chuck Mini + clutch pneumatic	305	240	162	32.5	G 1/4	80

Dimension schedule for Boschert-Chuck see chapter 2.00

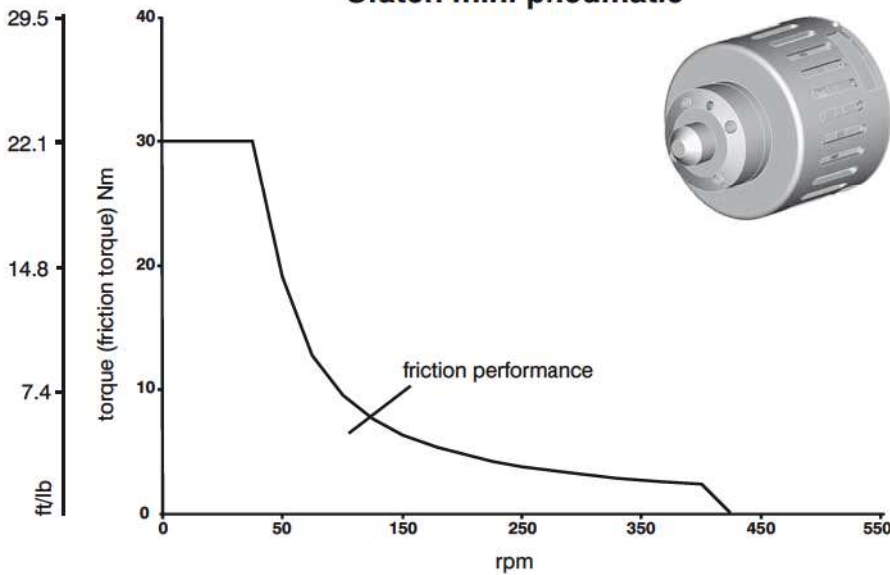
Performance diagrams Clutch mini



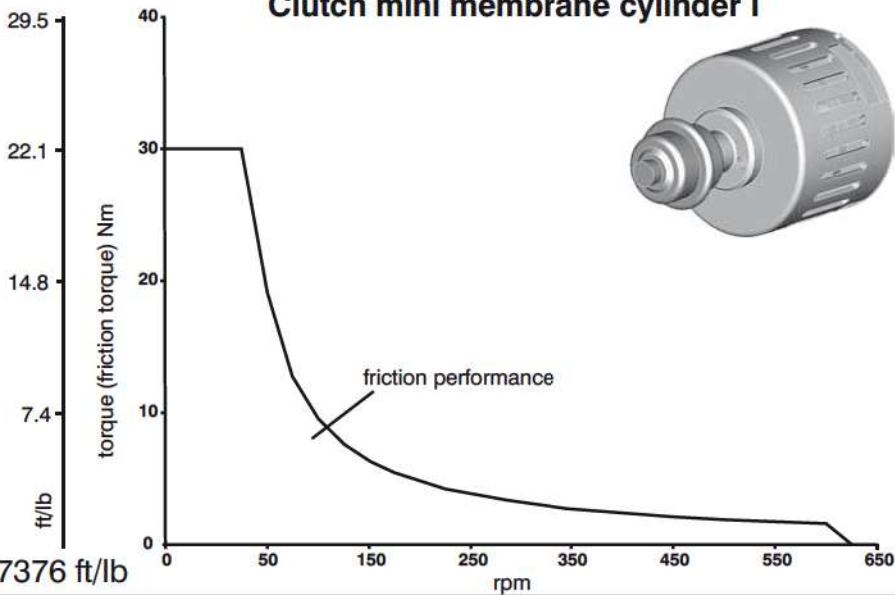
Clutch mini manual



Clutch mini pneumatic



Clutch mini membrane cylinder I



1 Nm = 0.7376 ft/lb

7.03

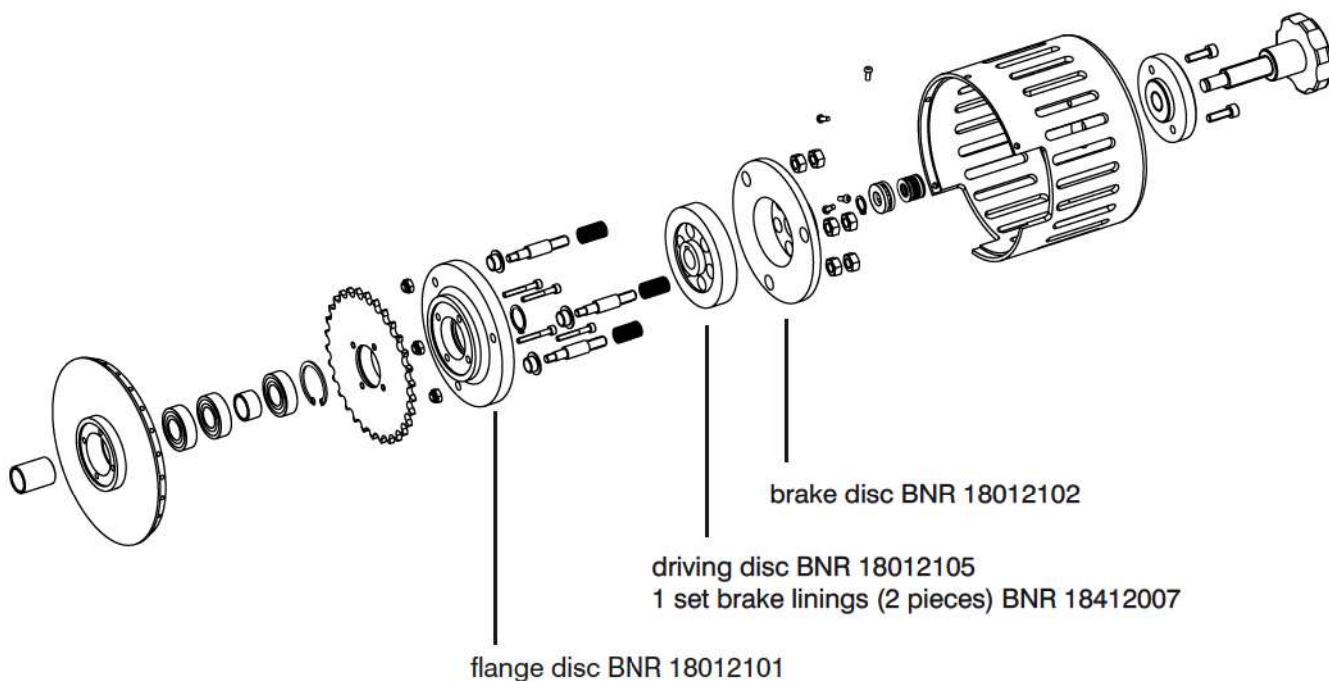
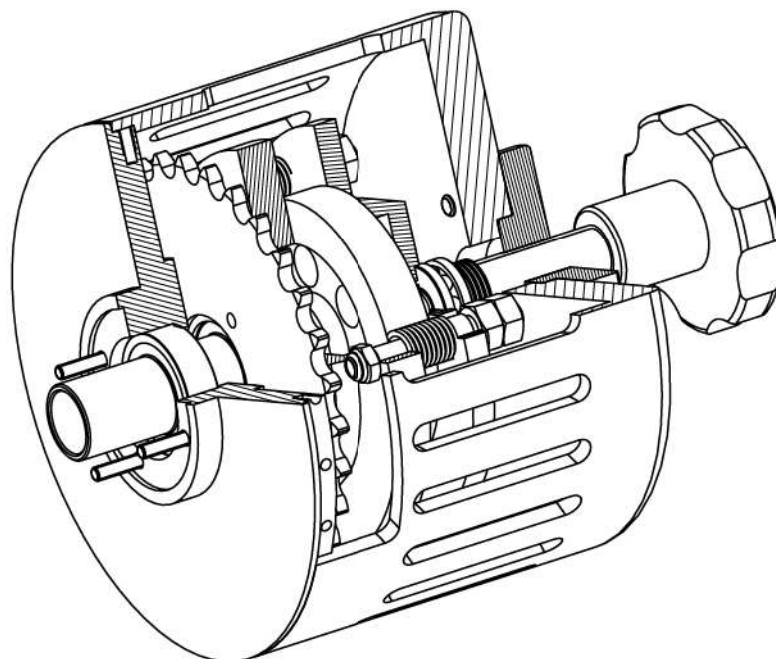
Mattenstrasse 1
D-79541 Loerrach-Hauingen

infokl@boschert.de
www.boschert.de

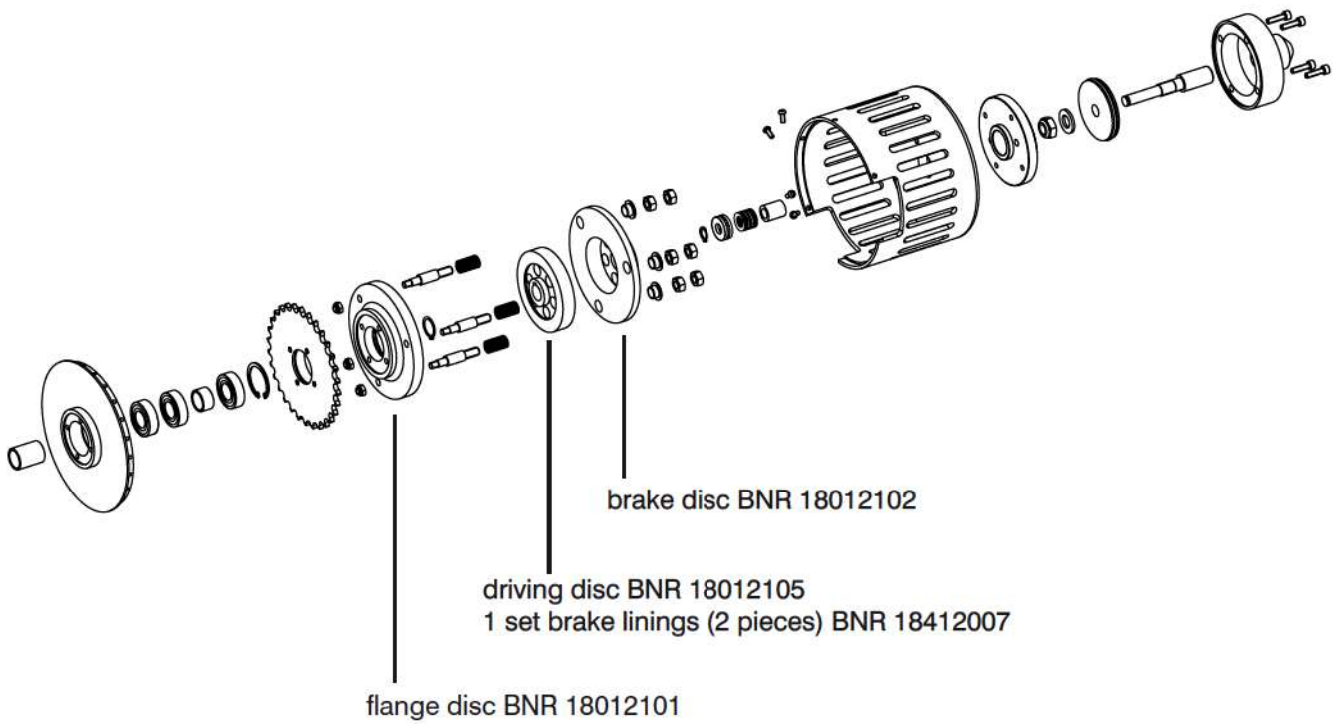
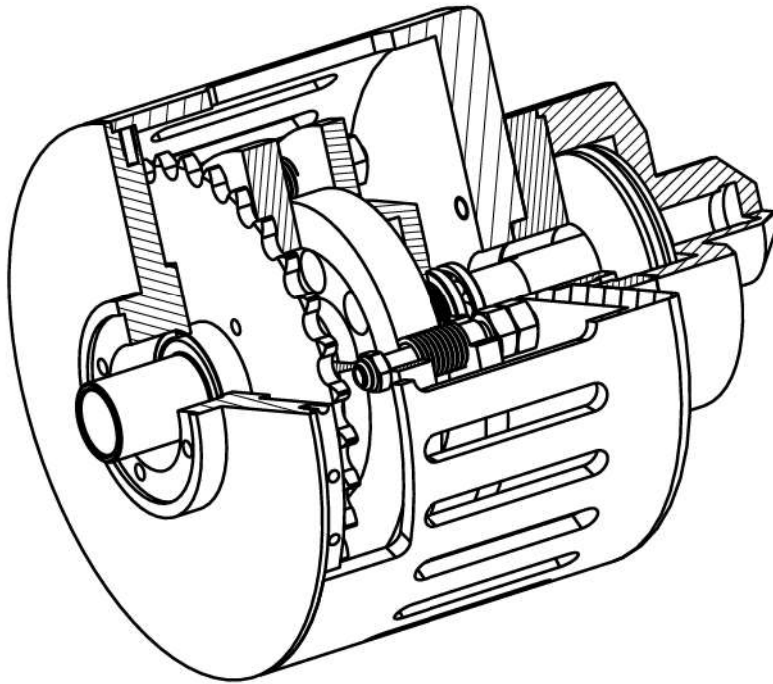
Tel.: +49 (0) 7621 / 9593 0
Fax: +49 (0) 7621 / 5518 4

Changes reserved (a)

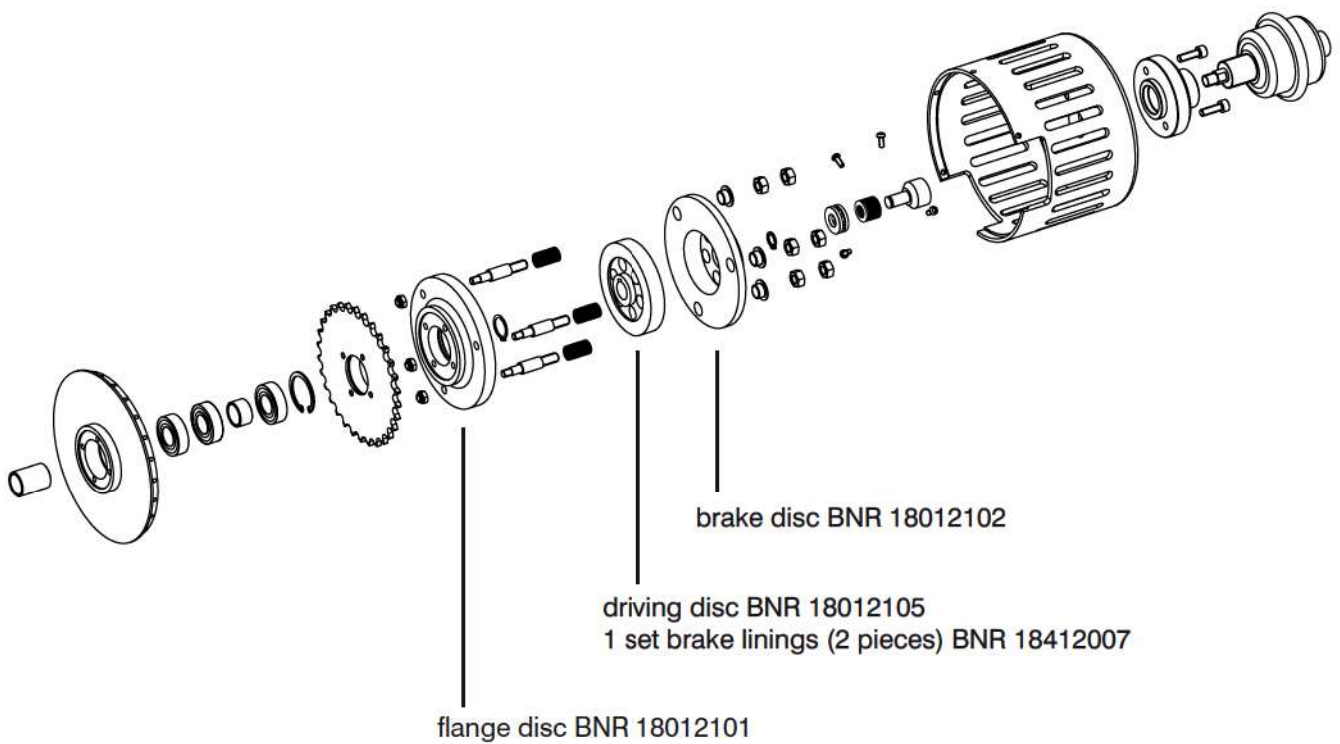
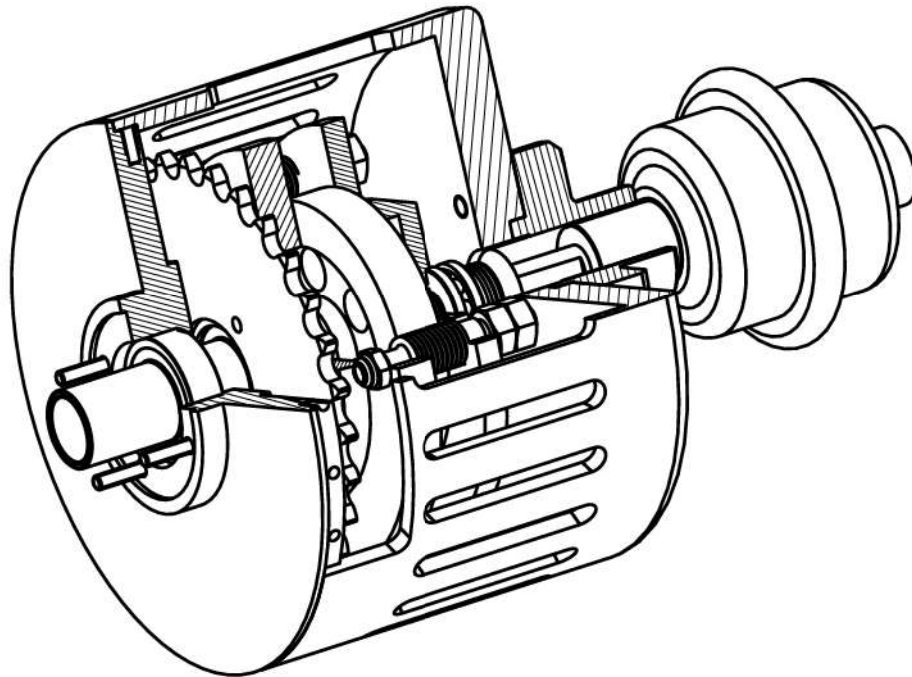
Clutch mini manual wearing-parts



Clutch mini pneumatic wearing-parts



Clutch mini membrane I wearing-parts



7.20 Clutch
type 22-30 to 40-50



Clutch manual



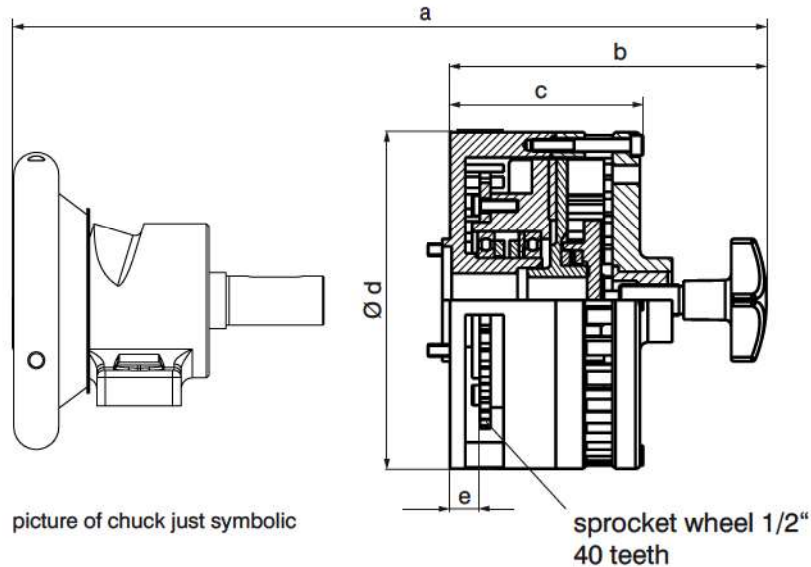
Clutch pneumatic



Clutch with membrane cylinder I

	Clutch		
	manual	pneumatic	membrane I
type 22-30 to 40-50			
friction performance kW (h.p.)	0.2 (0.268)	0.2 (0.268)	0.2 (0.268)
max. friction torque Nm (ft/lb)	50 (36.9)	50 (36.9)	50 (36.9)

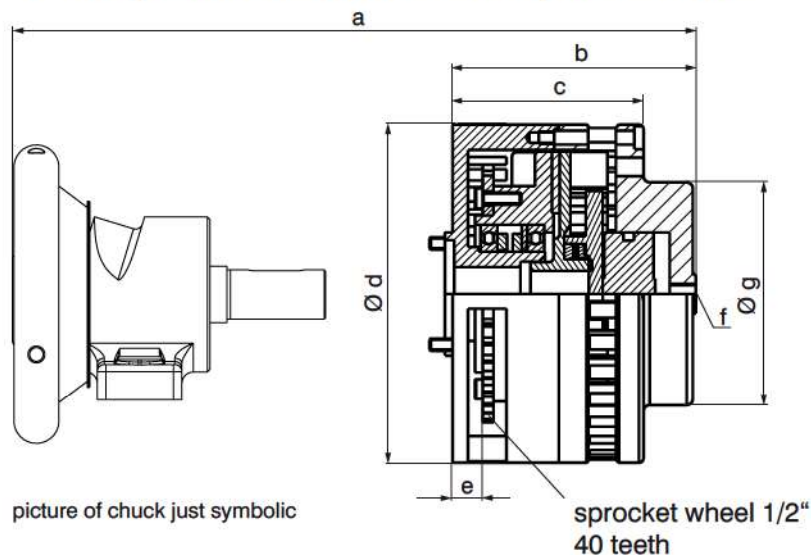
Safety Chuck with clutch manual



	a	b	c	d	e
Safety Chuck 22-30 + clutch manual	344	214	124	220	19
Safety Chuck 30-40 + clutch manual	361	214	124	220	19
Safety Chuck 40-50 + clutch manual	412	214	124	220	19

Dimension schedule for Boschert-Chuck see chapter 2.20 - 2.43

Safety Chuck with clutch pneumatic

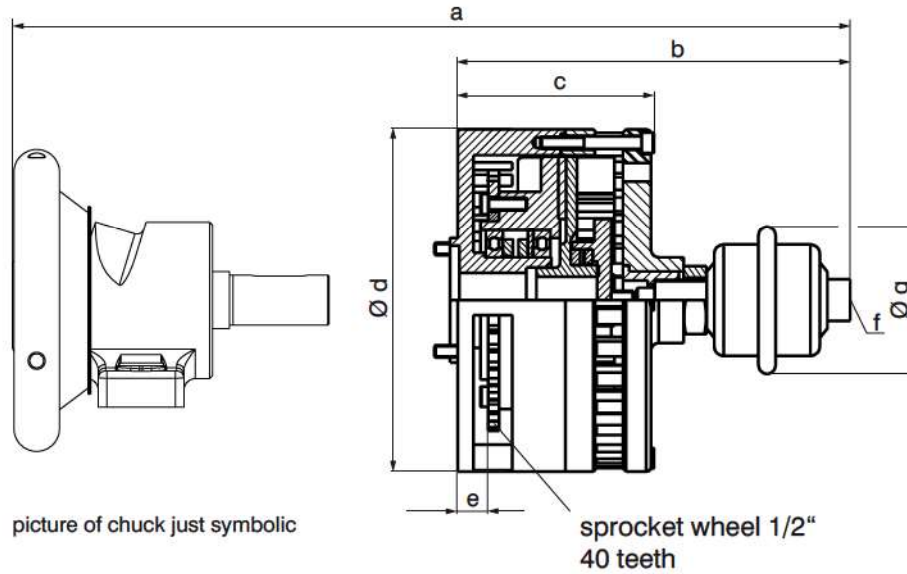


	a	b	c	d	e	f	g
Safety Chuck 22-30 + clutch pneumatic	281	160	124	220	19	G 1/4	145
Safety Chuck 30-40 + clutch pneumatic	298	160	124	220	19	G 1/4	145
Safety Chuck 40-50 + clutch pneumatic	349	160	124	220	19	G 1/4	145

Dimension schedule for Boschert-Chuck see chapter 2.20 - 2.43

Clutch with membrane cylinder I

Safety Chuck with clutch and membrane cylinder I

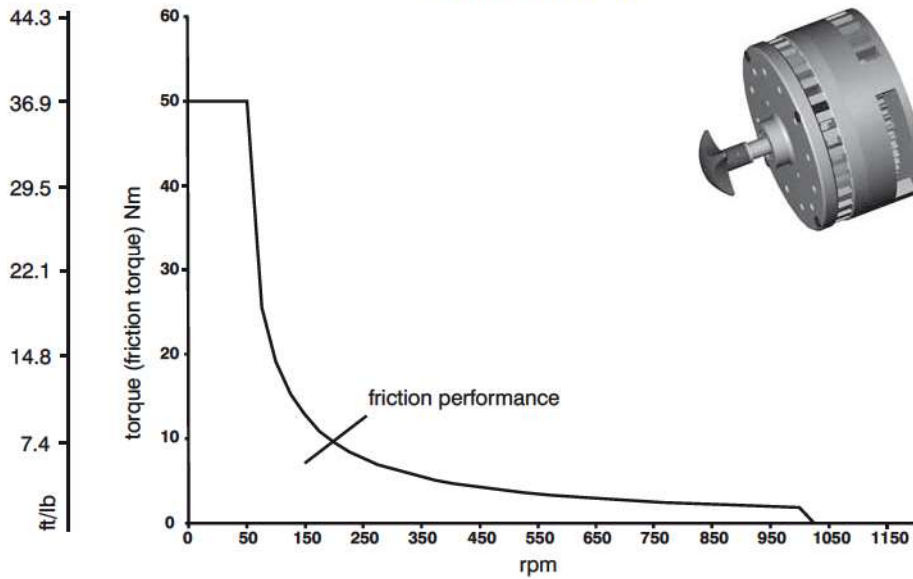


	a	b	c	d	e	f	g
Safety Chuck 22-30 + clutch membrane cylinder I	343	220	124	220	19	G 1/4	80
Safety Chuck 30-40 + clutch membrane cylinder I	360	220	124	220	19	G 1/4	80
Safety Chuck 40-50 + clutch membrane cylinder I	411	220	124	220	19	G 1/4	80

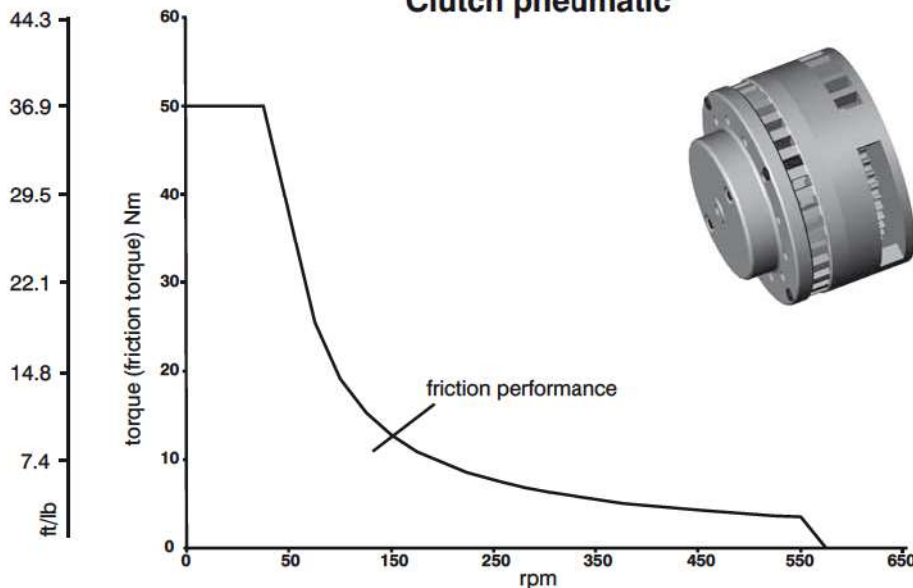
Dimension schedule for Boschert-Chuck see chapter 2.20 - 2.43

Clutch performance diagrams

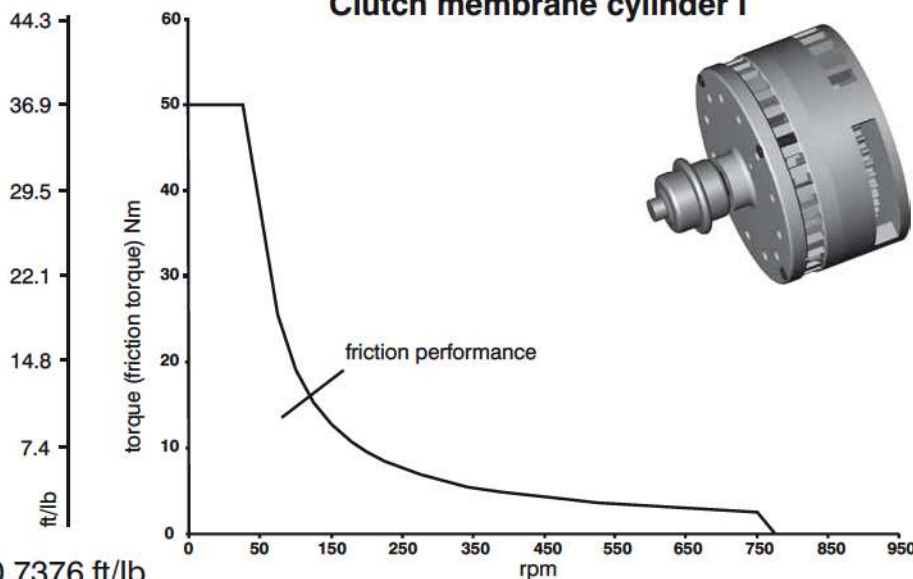
Clutch manual



Clutch pneumatic

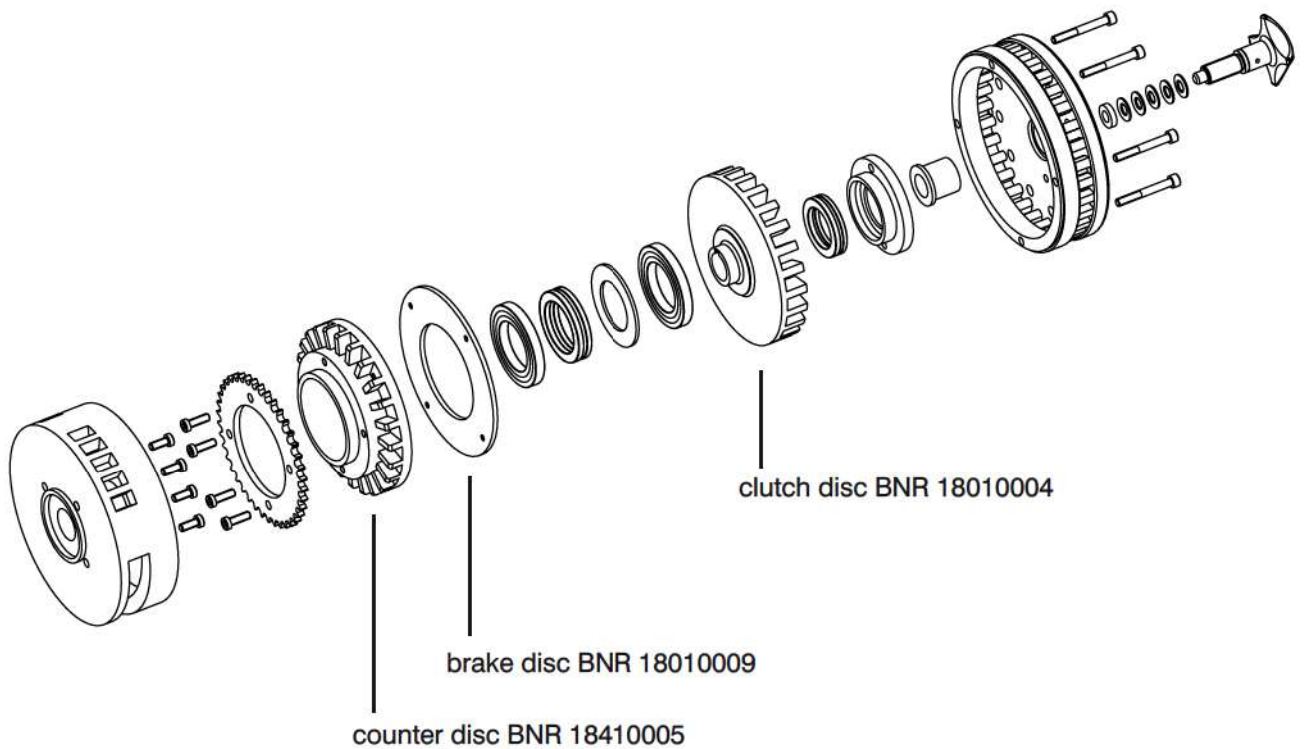
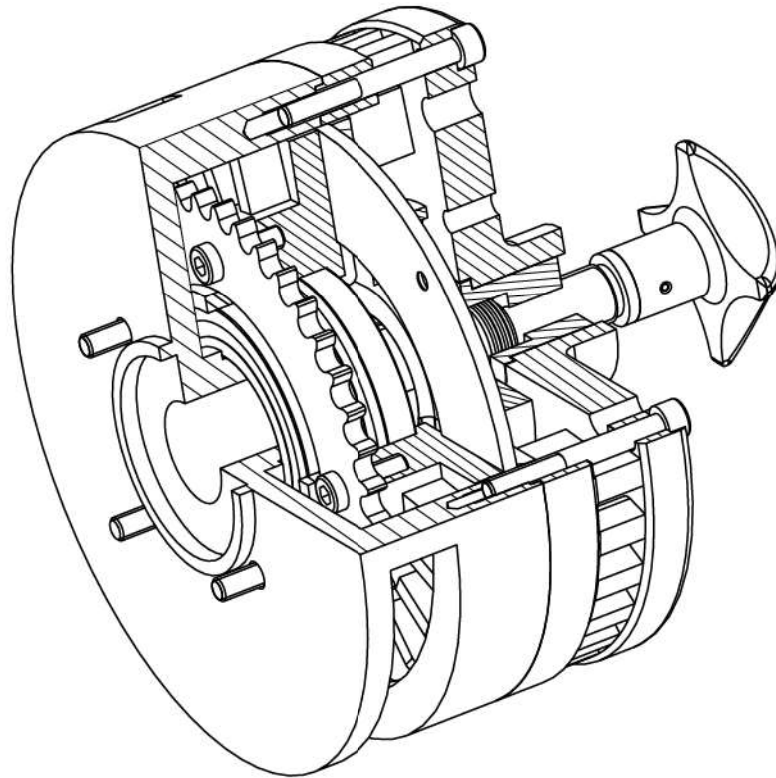


Clutch membrane cylinder I

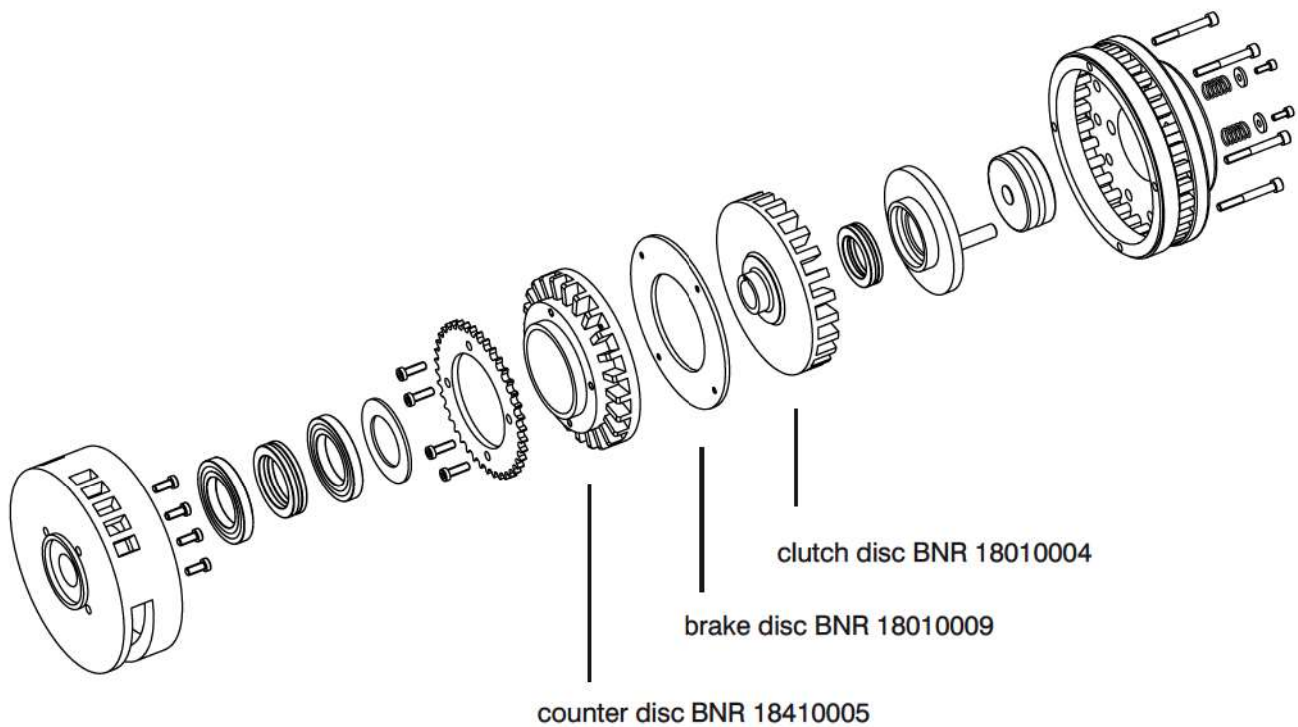
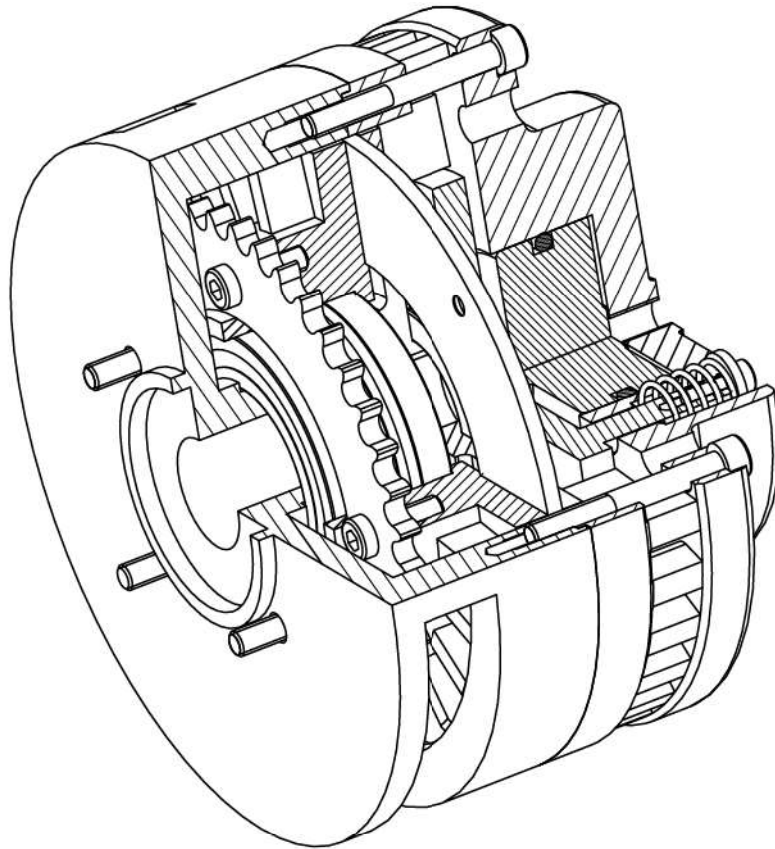


1 Nm = 0.7376 ft/lb

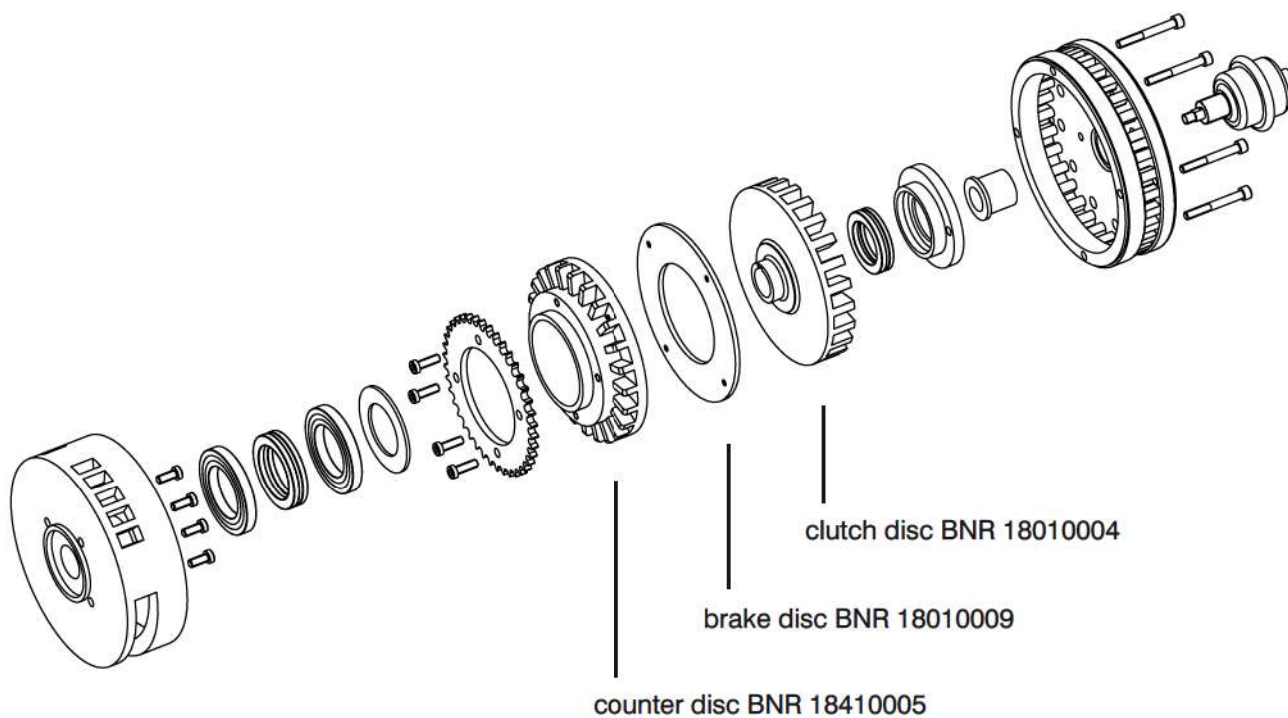
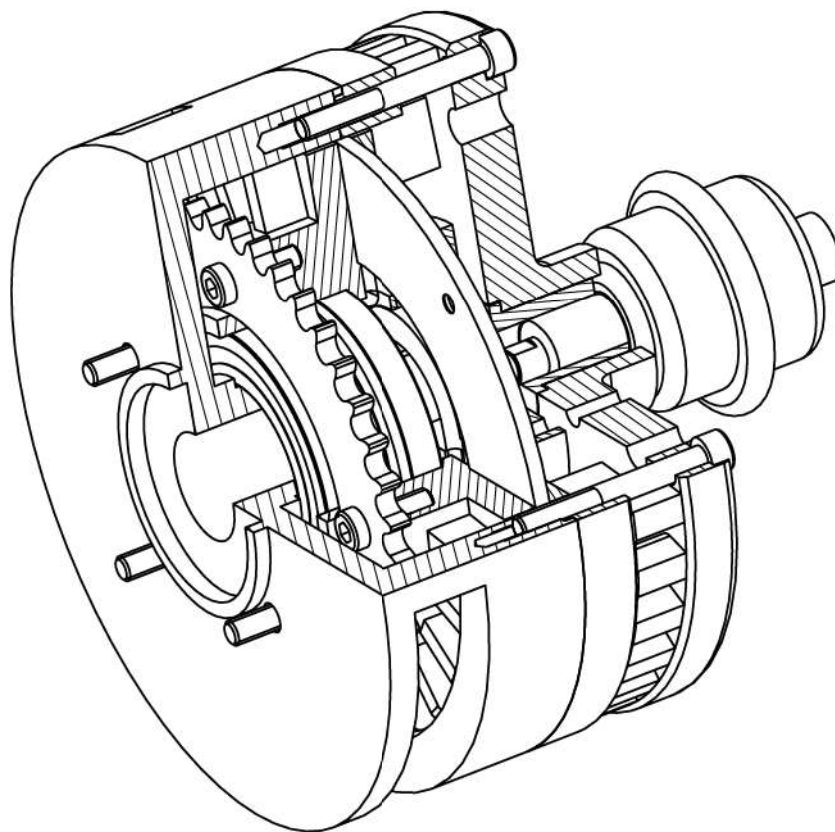
Clutch manual wearing-parts



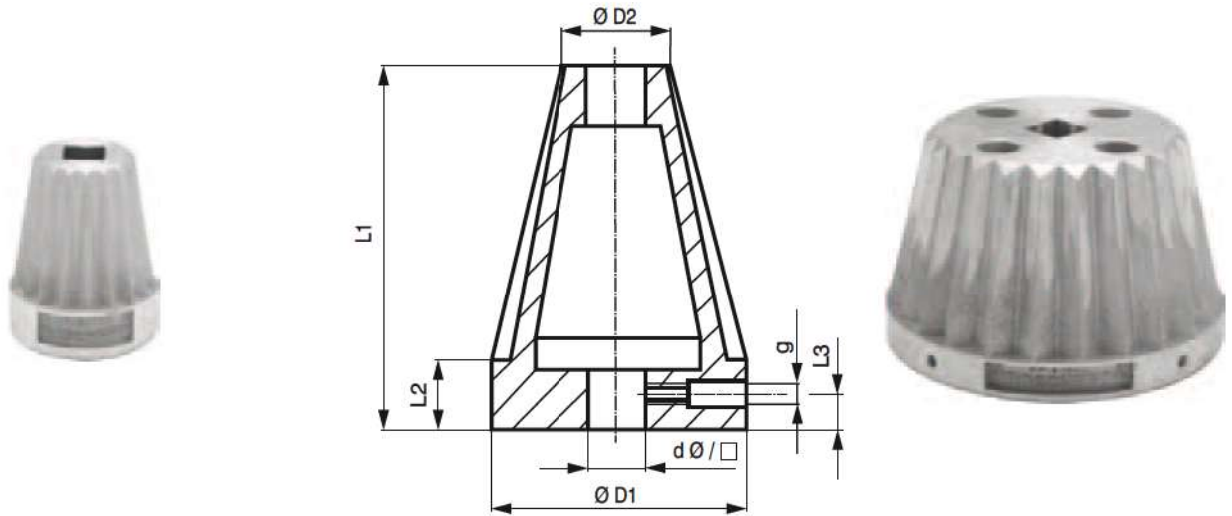
Clutch pneumatic wearing-parts



Clutch membrane cylinder I wearing-parts



9.00 Aluminium Cones model I - VII

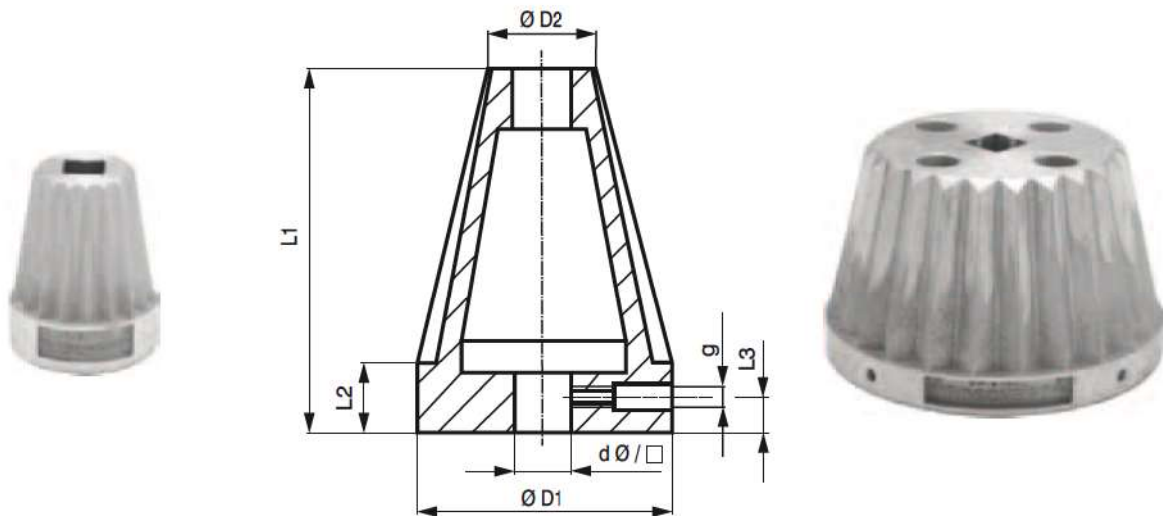


		Model				
		I	II	III	IV	
					30	40
Tube diameters Ø		80 - 95	70 - 80	70 - 80	55 - 120	70 - 120
d	Ø	30 - 50	30 - 50	30 - 50	30 - 35	>35 - 50
	30	30, 40	30, 40	30, 40	30	40
D1		110	90	95	130	
D2		75	65	65	50	65
L1		145	95	145	95	83
L2		40	35	35	40	
L3		20	18	18	20	
g		M10				

		Model		
		V	VI	VII
Tube diameters Ø		50 - 70	145 - 160	125 - 150
d	Ø	30 - 40	30 - 80	30 - 60
	30	30	30, 40, 50	30, 40, 50
D1		90	170	160
D2		45	140	120
L1		145	150	145
L2		35	35	35
L3		18	18	18
g		M10		

Special designs on request

Aluminium cones model VIII - XIII

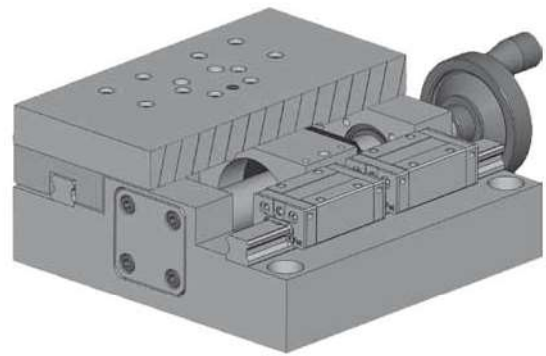
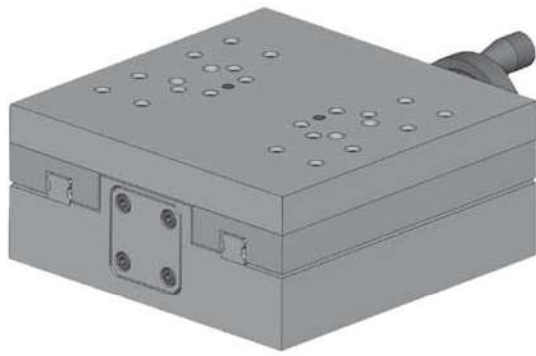


		Model			
		VIII		IX	X
		□ 30	□ 40		
Tube diameters Ø		60 - 120	68 - 120	120 - 180	225 - 280
d	Ø	30 - 40	>40 - 50	30 - 70	30 - 80
	□	30	40	40, 50	40, 50
D1		130		190	290
D2		55	63	115	220
L1		185	168	185	185
L2		35			
L3		18			
g		M10			

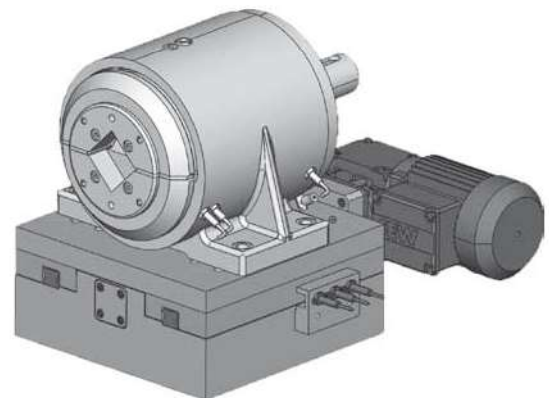
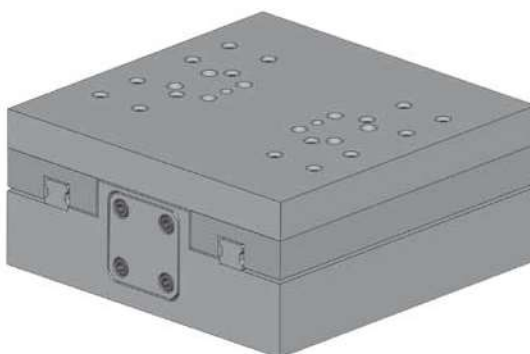
		Model		
		XI	XII	XIII
Tube diameters Ø		275 - 330	75 - 180	165 - 215
d	Ø	40 - 100	30 - 50	30 - 60
	□	40, 50	30, 40	30, 40
D1		340	190	225
D2		270	70	160
L1		185	155	185
L2		35		
L3		18		
g		M10		

Special designs on request

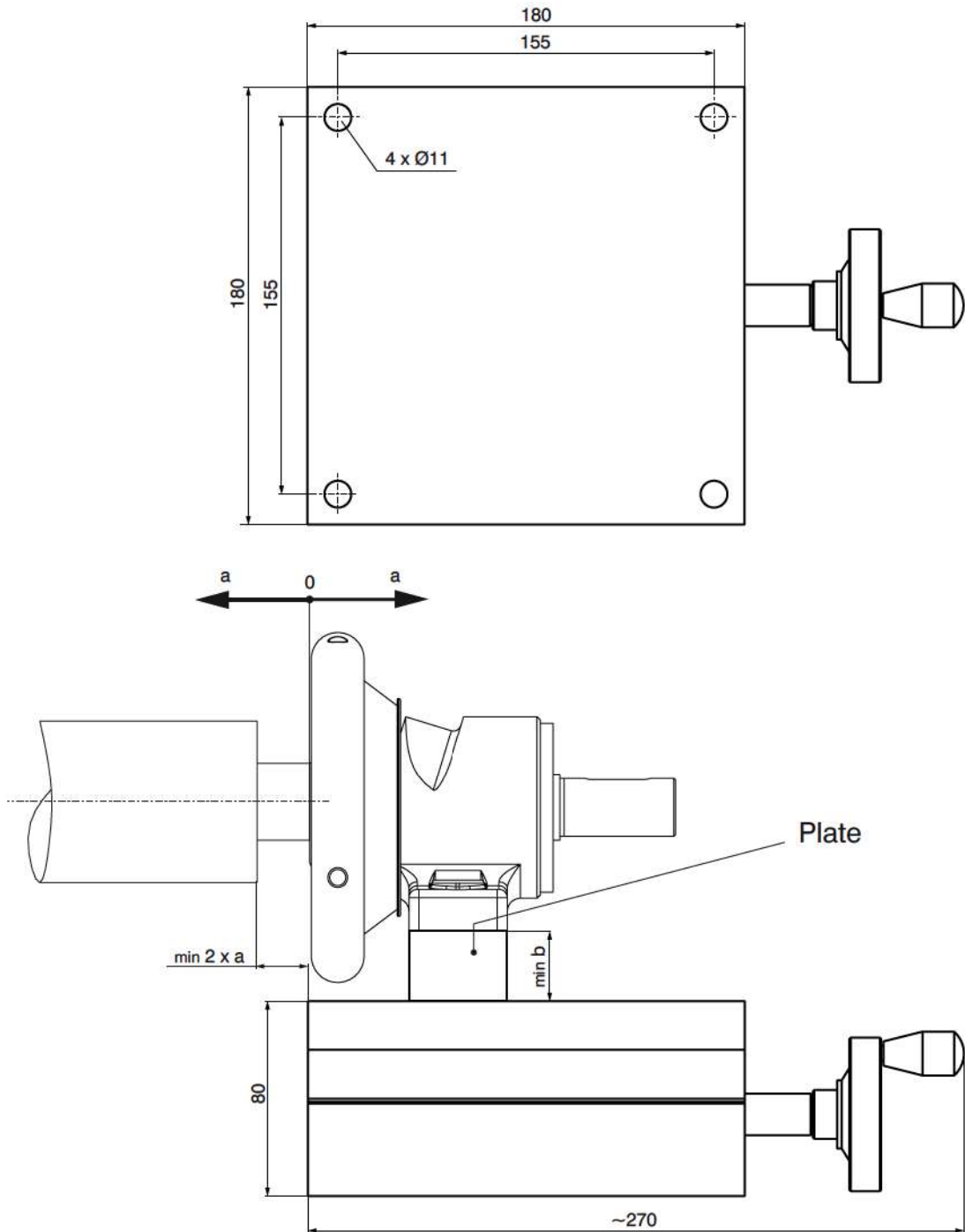
9.10 Overview Slide axial / radial



Slide								
	Axial						Radial	
	small			large			small	large
	active	with motorized adjustment	passive	active	with motorized adjustment	passive	active	active
22-30	x	x	x				x	
30-40	x	x	x				x	
40-50				x	x	x		x
50-80				x	x	x		x
Sliding-Chuck								
22-30							x	
30-40							x	
40-50								x
Series A								
A40	x	x	x				x	
A50				x	x	x		x
A80				x	x	x		x
Series P								
P40				x	x	x		x
P50				x	x	x		x

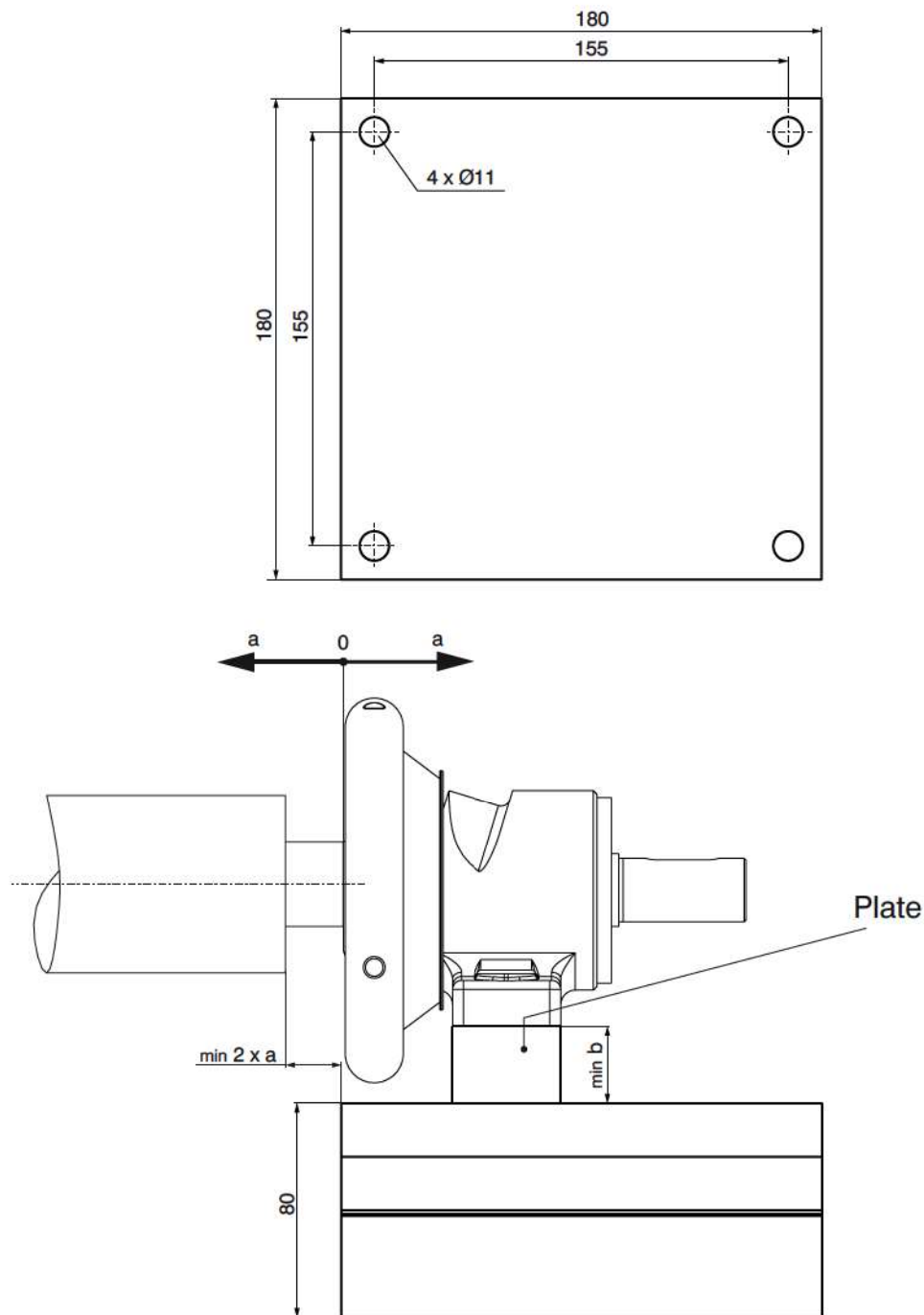


9.20 Axial Slide small active



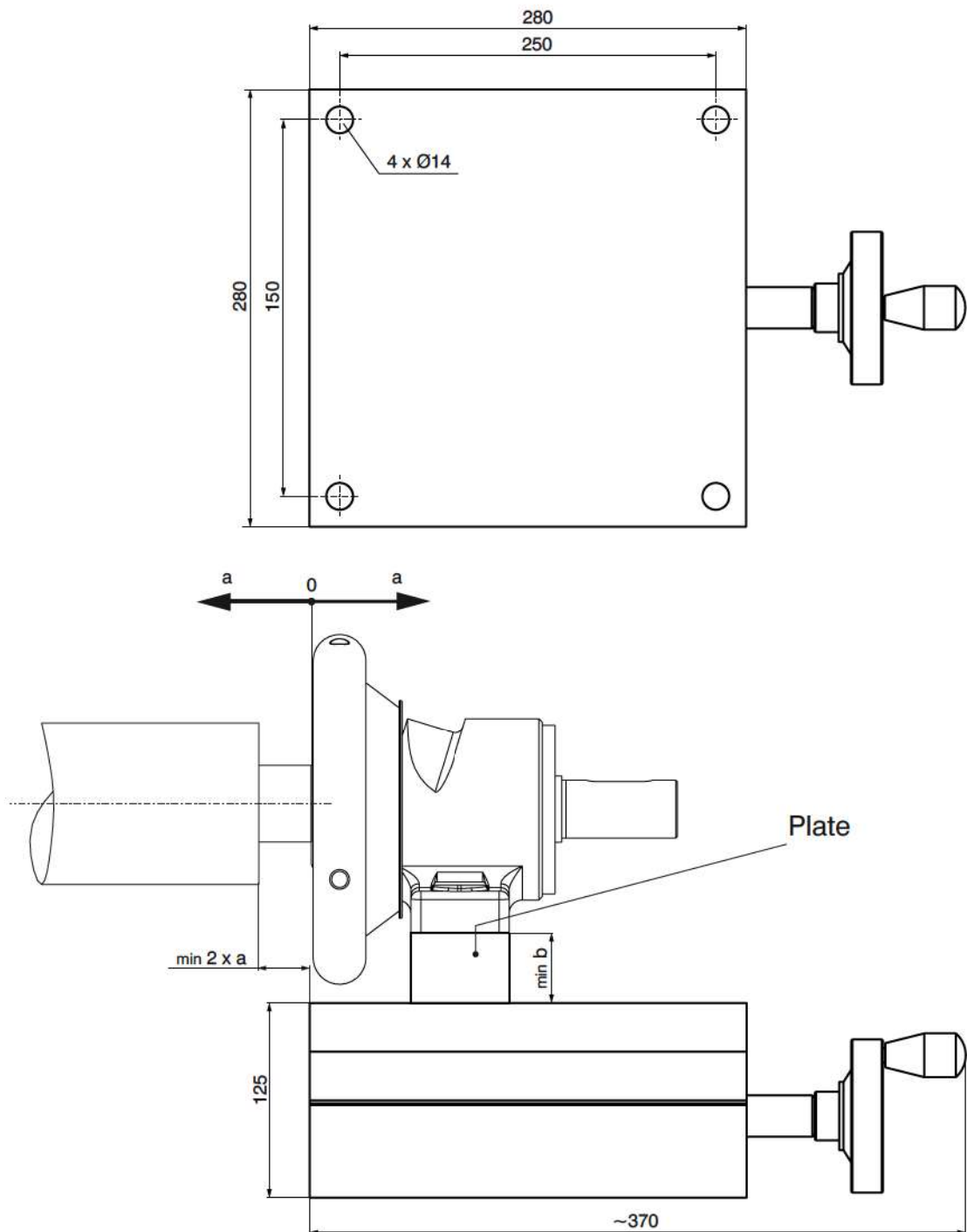
	a	b
22-30	25	50
30-40	25	50
A40	25	50

Axial slide small passive



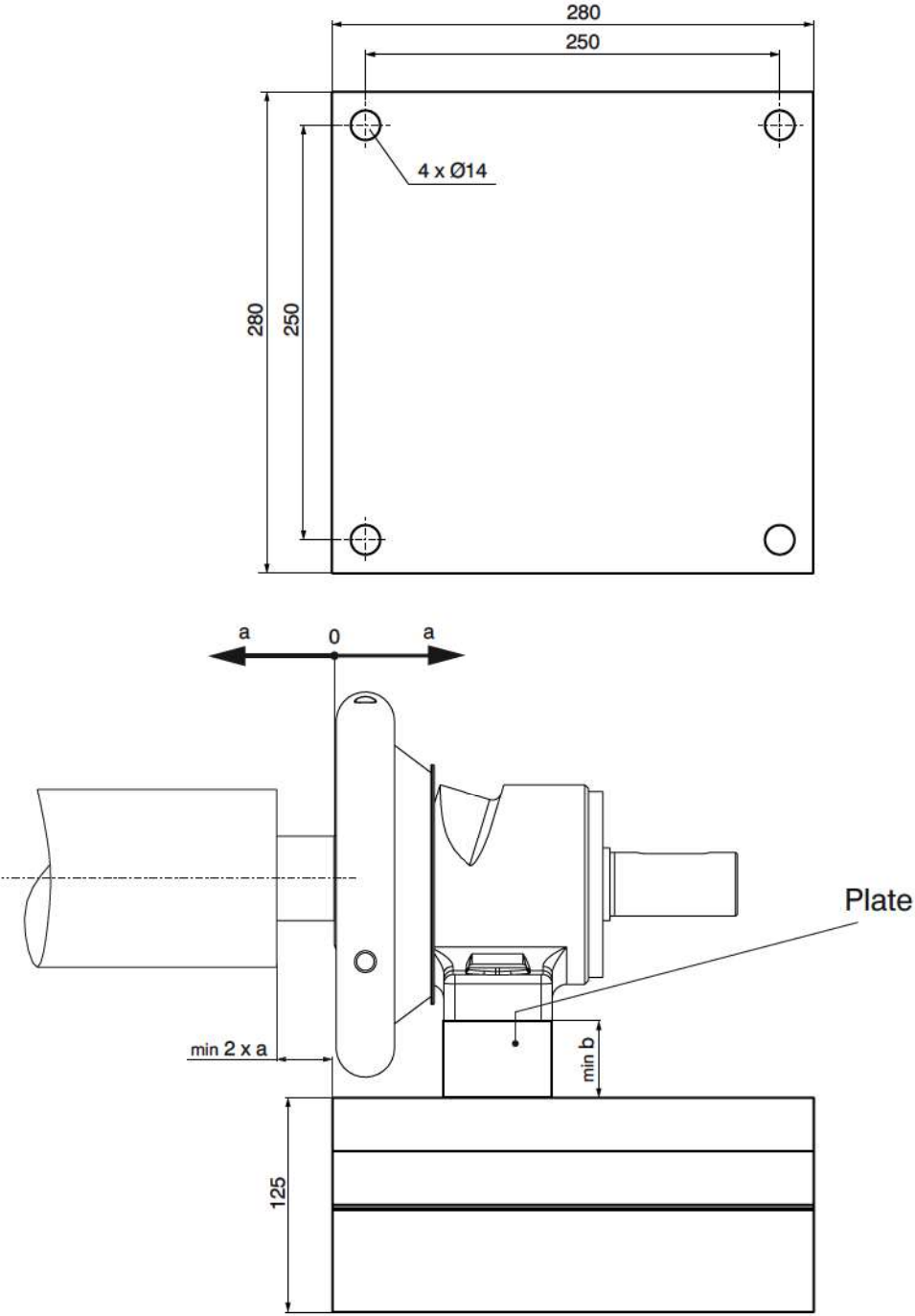
	a	b
22-30	25	50
30-40	25	50
A40	25	50

Axial Slide big active



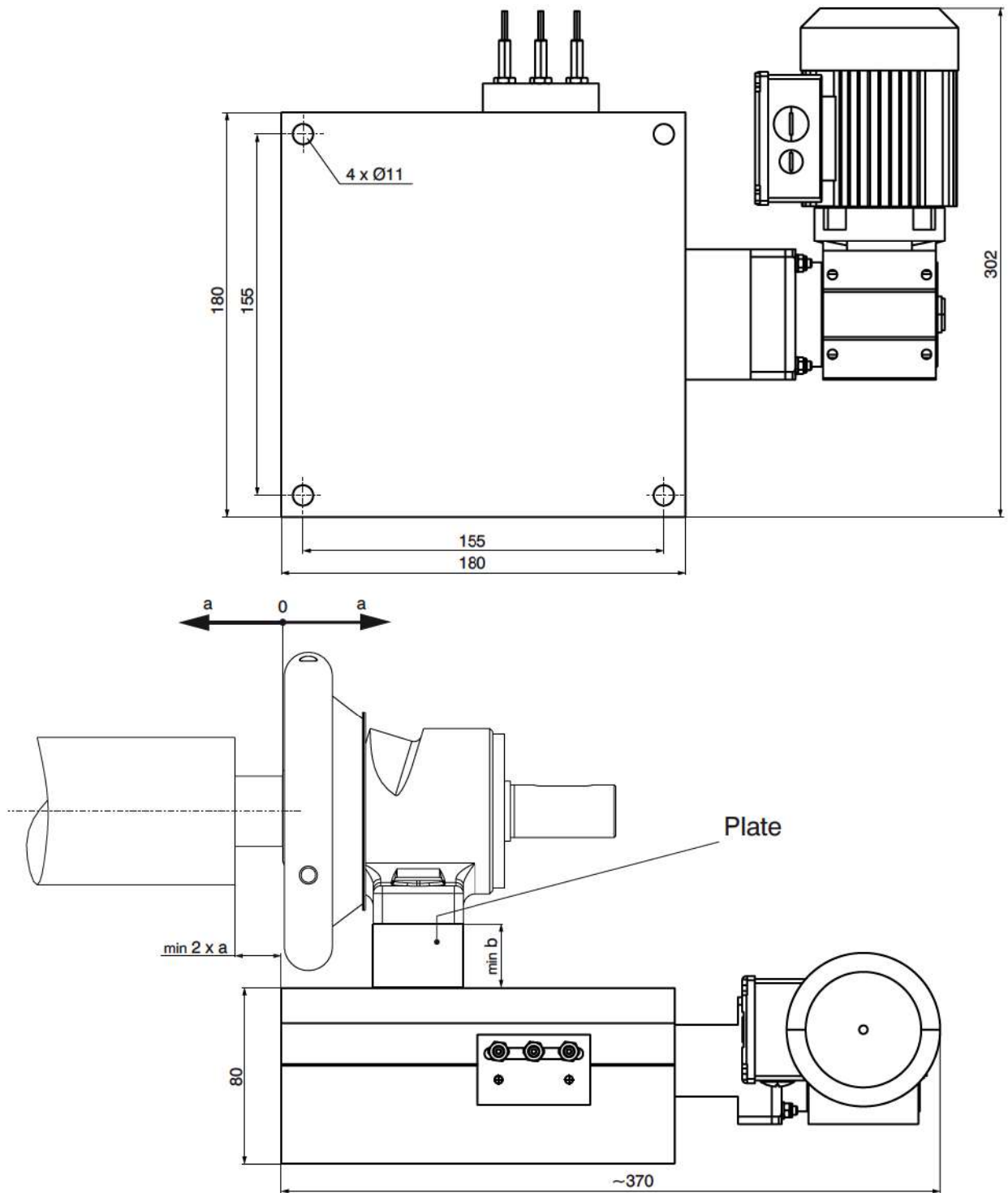
	a	b
40-50	25	60
50-80	25	80
A50	25	60
A80	25	80
P40	25	60
P50	25	60

Axial Slide big passive



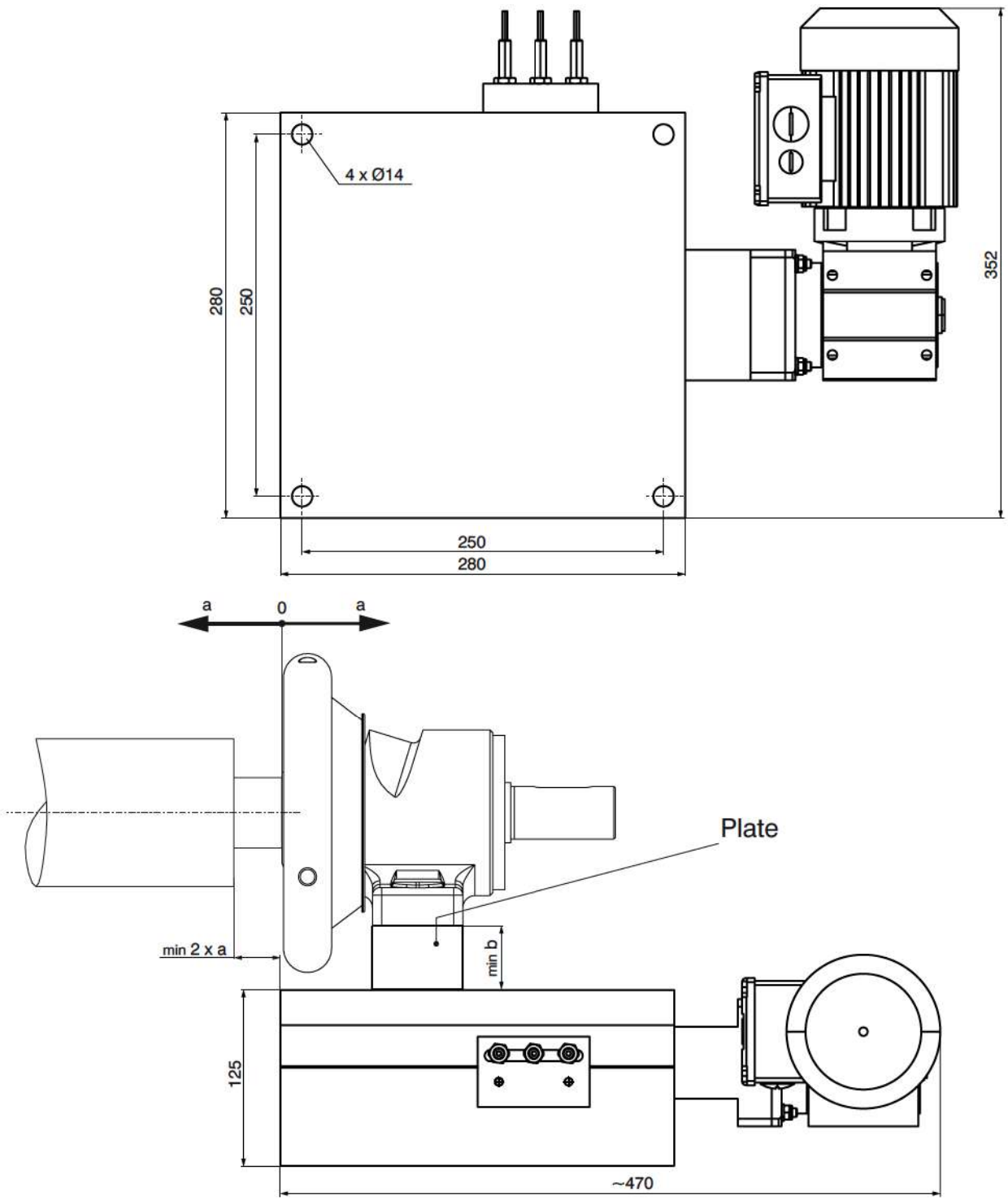
	a	b
40-50	25	60
50-80	25	80
A50	25	60
A80	25	80
P40	25	60
P50	25	60

Axial Slide small with motor adjustment



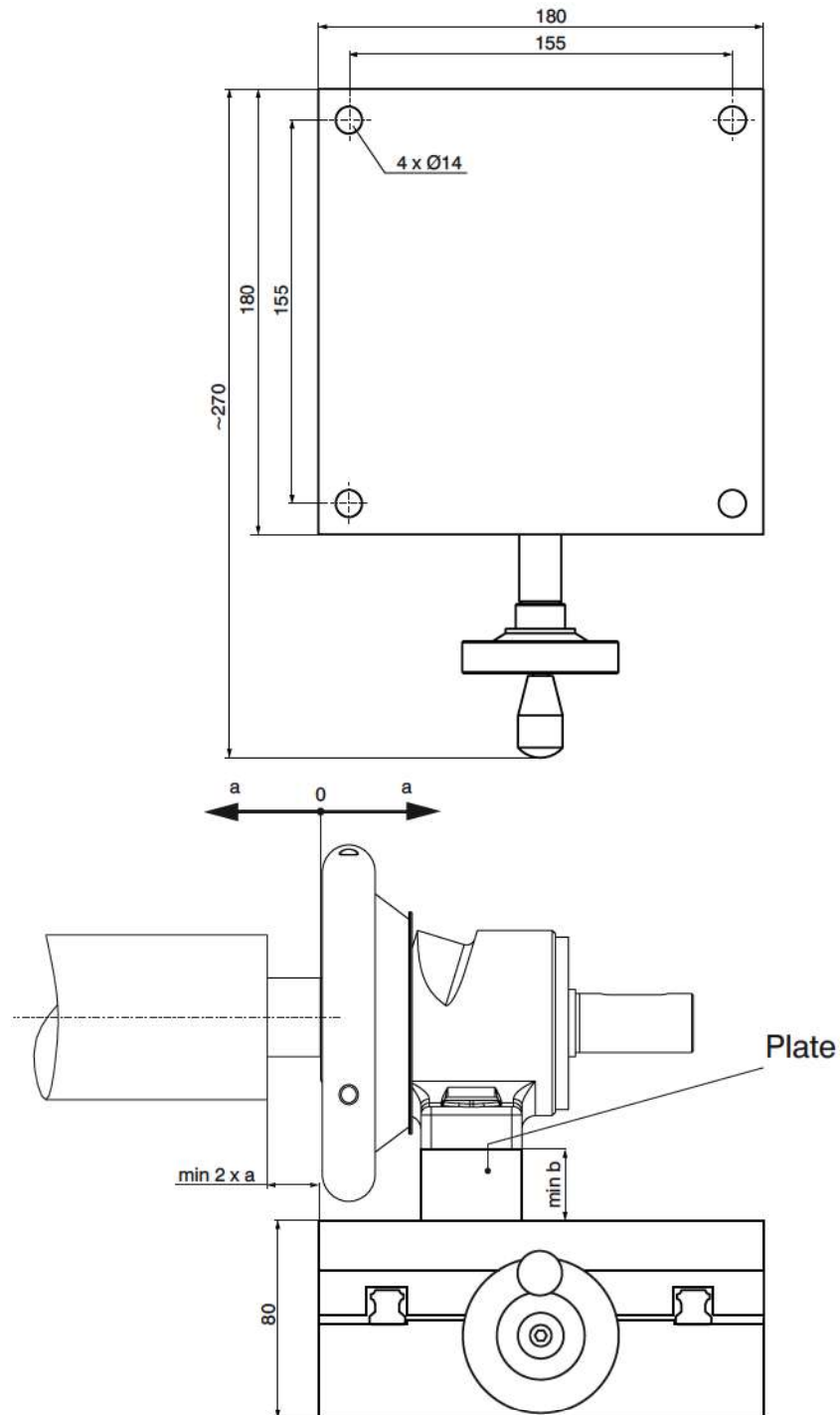
	a	b
22-30	25	50
30-40	25	50
A40	25	50

Axial Slide big with motor adjustment



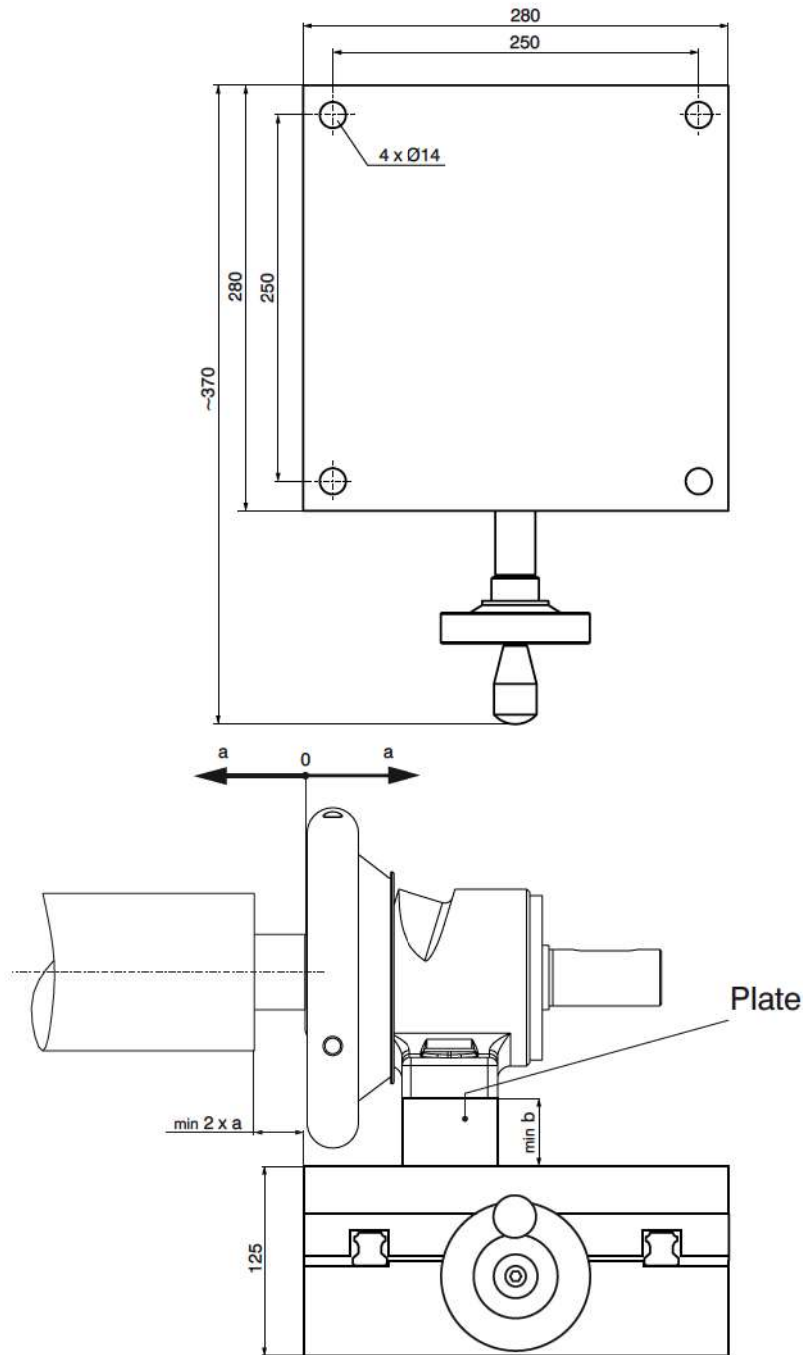
	a	b
40-50	25	60
50-80	25	80
A50	25	60
A80	25	80
P40	25	60
P50	25	60

Radial Slide small active



	a	b
22-30	25	50
30-40	25	50
A40	25	50
Sliding-chuck		
22-30	25	50
30-40	25	50

Radial Slide big active



	a	b
40-50	25	60
50-80	25	80
A50	25	60
A80	25	80
P40	25	60
P50	25	60
Sliding-chuck		
40-50	25	60

9.80 Tension Control Easy Wind



Easy Wind:
Standard solution for one roll

Technical data	
Control box (W x H x D):	300 x 300 x 120 mm
Sensor:	88 x 30 x 65 mm
Electricity:	230 V / 50 Hz / 30 W
Compressed air:	max. 7 bar (105 psi) filtered 0,3 μ m
Output pressure:	max. 5 bar
Roll / lap / reel \varnothing :	max. 1600 mm
Enclosure:	IP54

Options:

Easy Wind Twin: The solution for two rolls (two sensors, one control unit)

Easy Wind Sensitive: Each brake caliper can be shut on or off

Further solutions on request.