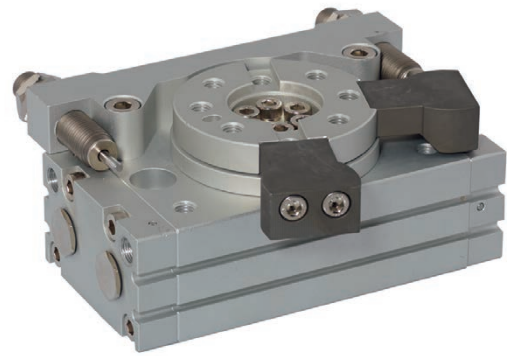


Standard executions		
Version	Code	Item
Bore 15 mm (x2), 90°	073071	15/90ARP
Bore 18 mm (x2), 90°	073072	18/90ARP
Bore 20 mm (x2), 90°	073073	20/90ARP
Bore 25 mm (x2), 90°	073074	25/90ARP
Bore 28 mm (x2), 90°	075588 <i>New</i>	28/90ARP
Bore 32 mm (x2), 90°	075589 <i>New</i>	32/90ARP
Bore 15 mm (x2), 180°	073079	15/180ARP
Bore 18 mm (x2), 180°	073080	18/180ARP
Bore 20 mm (x2), 180°	073081	20/180ARP
Bore 25 mm (x2), 180°	073082	25/180ARP
Bore 28 mm (x2), 180°	075590 <i>New</i>	28/180ARP
Bore 32 mm (x2), 180°	075591 <i>New</i>	32/180ARP



Options	Suffix
With hydraulic shock absorbers	D

### How to choose the shock absorber

Rotary actuator	Cushioning capability max (kgf.m)
15ARP	3
18ARP	6
20ARP	6
25ARP	20
28ARP	59
32ARP	59

Series of rotary actuators with piston and external mechanical stoppers.

Rotation angles 90°-180°.

They are standard magnetic provided with grooves on the body allowing the direct mounting of the magnetic reed switches.

The mechanical stoppers are standard; the hydraulic shock absorbers can be supplied on request.

For the magnetic reed switches type ASC see from page 1.110.1

How to order: 20ARCD

20	/	90	ARP	D
Bore	/	Rotation	Item	Option

Technical data							
Type	15	18	20	25	28	32	
Bore	Ø 15	Ø 18	Ø 20	Ø 25	Ø 28	Ø 32	
Fluid	Compressed filtered air with or without lubrication. Lubrication, if started, must be continued.						
Pressure range	1,5 ÷ 7 bar						
Temperature range	0° C ÷ + 50° C						
Rotation angle	90° - 180°						
Adjustment angle	10°						
Rotation moments (Nm) at 6 bar	1,5	2,2	3,2	5,5	7,5	9,8	
Ports	M5			1/8"			
Weight (g)	90°	630	1200	1520	2480	3390	4700
	180°	600	1140	1450	2370	3210	4500



Standard executions		
Version	Symbol	Type
With non-threaded rod		MCN
With threaded rod		MCF



1

Series of cartridge microcylinders single acting with threaded body. The threaded body allows a further adjustment of the end position of the stroke.

How to order: 10/15 MCN

Options	Suffix
Special versions on request	/ S

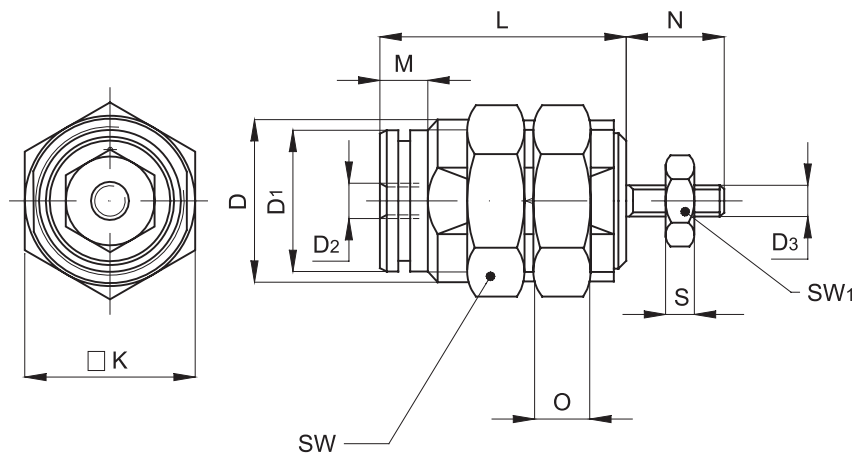
10	/	15	MCN	
Bore	/	Stroke	Type	Option

Seal kits not available for these cylinders.

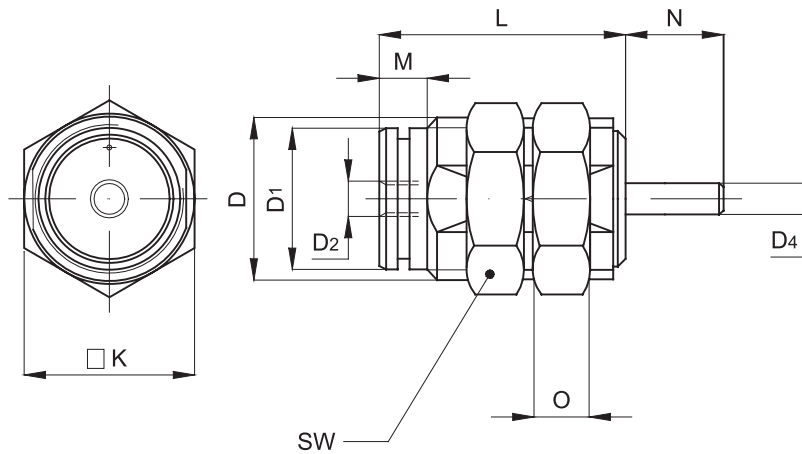
Technical data	
Fluid	Compressed filtered air with or without lubrication. Lubrication, if started, must be continued.
Pressure	2 ÷ 7 bar
Temperature range	-20 °C ÷ + 80°C
Materials	Body: Nickel plated brass Rod: Stainless steel AISI 303 Seals: Polyurethane Spring: Stainless steel AISI 302

Bore (mm)	Possible strokes (mm)	Thrust force at 6 bar (N)	Traction force (N)			Maximum side admissible load (N)
			5	10	15	
6	5, 10, 15	14	1,4	2	1,5	0,10
10		42	3,9	3,4	2,9	0,15
16		109	9,9	8,7	7,4	0,20

Type: **MCF**



Type: **MCN**



Ø mm	D	D <sub>1</sub>	D <sub>2</sub>	D <sub>3</sub>	D <sub>4</sub>	K	M	L (with the stroke included)			N	O	SW	S	SW <sub>1</sub>
								5	10	15					
6	M10x1	8,5	M5	M3	3	9	5	19,5	26,5	33,5	8	3	14	2,4	5,5
10	M15x1,5	12	M5	M4	4	19	7	23	29,5	36,5	10,5	4	19	2	7
16	M22x1,5	19	M5	M5	5	20	6	27	32	37	13	5	27	4	8