

Valves series A1

1/8", 3/2, manually operated, spring return with air assist



Standard executions

| Version | Symbol | Code | Item |
|------------------------------------------------|--------|--------|-------------|
| 3/2 NC red head, push button, 1 position | | 034085 | A1MA130FR |
| 3/2 NC green head, push button, 1 position | | 034086 | A1MA130FV |
| 3/2 NC black head, push button, 1 position | | 034087 | A1MA130FN |
| 3/2 red head, push button, 2 positions | | 034182 | A1MA132FR |
| 3/2 NC red recessed button, 1 position | | 034088 | A1MA130BR |
| 3/2 NC green recessed button, 1 position | | 034089 | A1MA130BV |
| 3/2 NC black recessed button, 1 position | | 034090 | A1MA130BN |
| 3/2 NC red head, push button 90°, 1 position | | 036045 | A1MA130FR90 |
| 3/2 NC green head, push button 90°, 1 position | | 036046 | A1MA130FV90 |
| 3/2 NC black head, push button 90°, 1 position | | 036047 | A1MA130FN90 |
| 3/2 red head, push button 90°, 2 positions | | 036048 | A1MA132FR90 |
| 3/2 NC red recessed button 90°, 1 position | | 036049 | A1MA130BR90 |
| 3/2 NC green recessed button 90°, 1 position | | 036050 | A1MA130BV90 |
| 3/2 NC black recessed button 90°, 1 position | | 036051 | A1MA130BN90 |
| 3/2 black selector 90° 2 positions | | 036052 | A1MA132SB90 |



Series of spool valves, with static seals, high flow, for panel or sub-base mounting.

Code key

| Series | Actuation | Size | Function | Configuration | Options |
|--------|-------------|--------|------------------------------------------------------------|-------------------------------------------------------------------------------------------------------------------------------------------------------------------------------------------------------------------------------------------------------------------------------------------------------------------------------------------------------------------------------------------------------------------------------------|----------------------|
| A1 | MA = Manual | 1=1/8" | 30 = 3/2 NC spring return 32 = 3/2 two stable positions | FR = red head push button FV = green head push button FN = black head push button BR = red recessed button BV = green recessed button BN = black recessed button FR90 = red head push button 90° FV90 = green head push button 90° FN90 = black head push button 90° BR90 = red recessed button 90° BV90 = green recessed button 90° BN90 = black recessed button 90° SB90 = black selector 90° | BT = low temp. seals |

| Options | Suffix |
|-------------------------------------|--------|
| Low temperature seals (-25 ÷ +60°C) | BT |



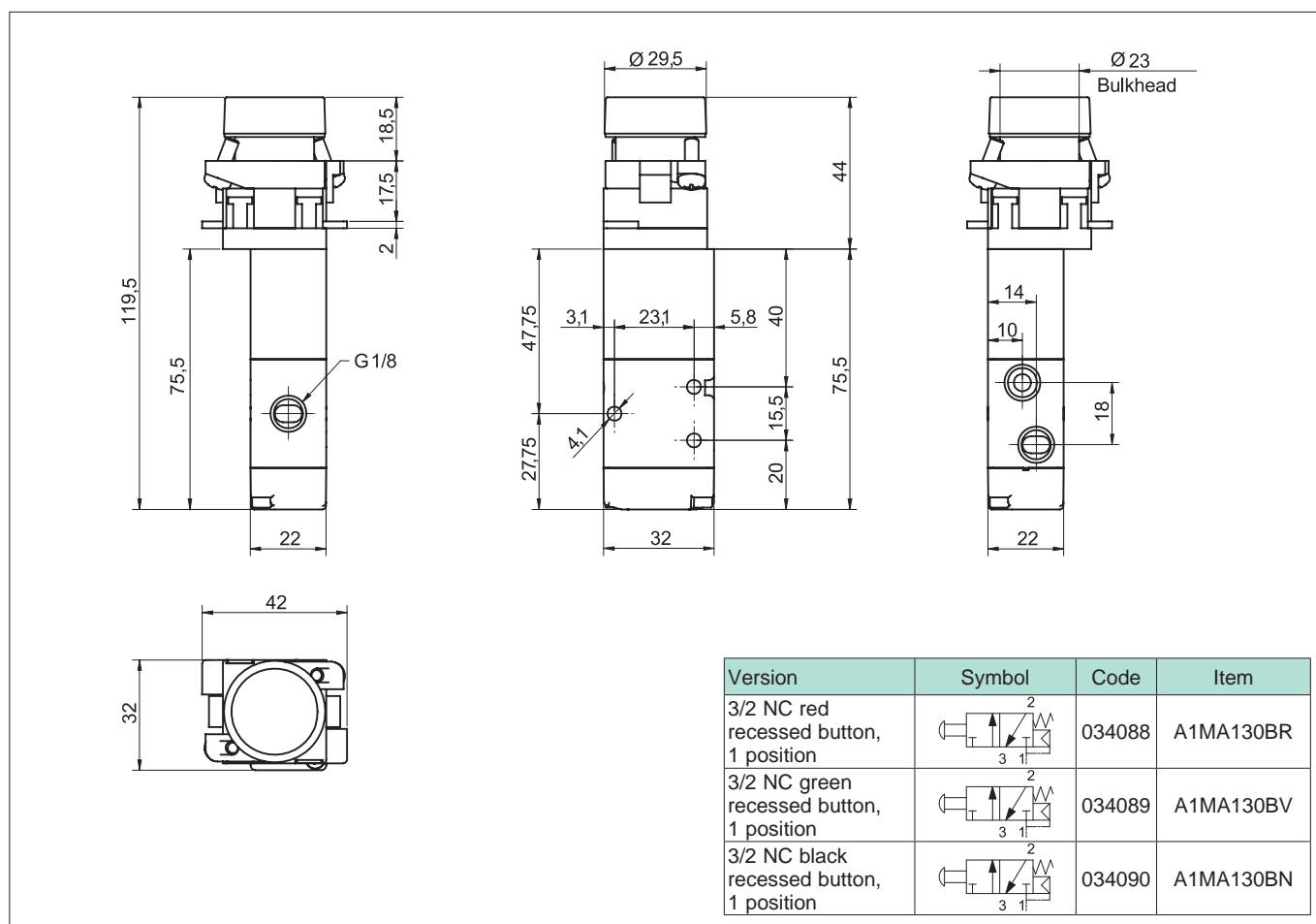
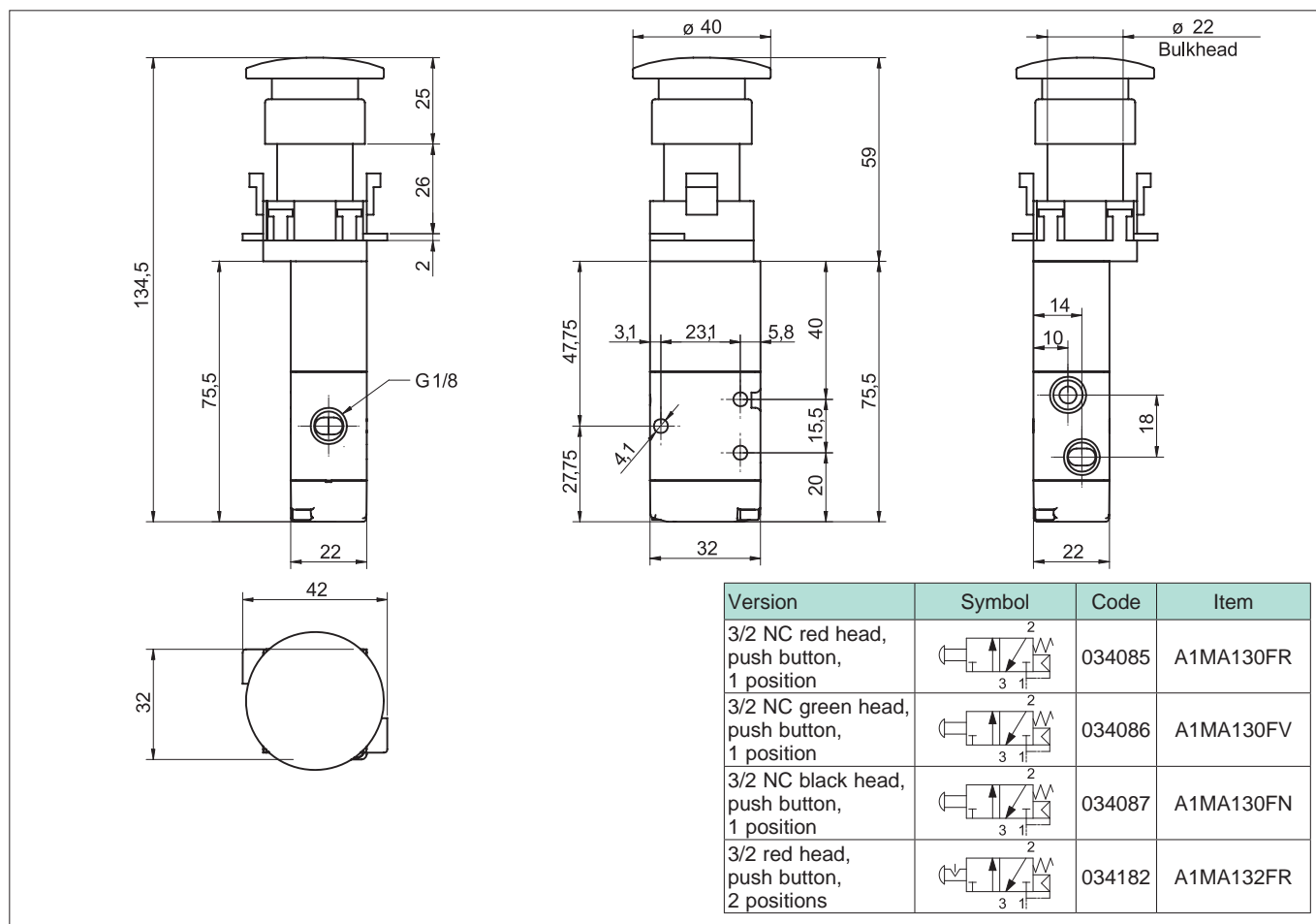
On request, they can be supplied according to 2014/34/EU - ATEX

Technical data

| | | |
|-------------------|--------------------------------------------------------------------------------------------------|--------------------------------------------------------------------------------------------------------------------------------------------------------------------------|
| Fluid | Compressed filtered air with or without lubrication. Lubrication, if started, must be continued. | |
| Pressure range | 0 ÷ 10 bar | |
| Temperature range | -10°C ÷ +80°C (standard) | -25°C ÷ +60°C (BT) |
| Orifice | 6,5 mm | |
| Flow | 650 NI/min at 6 bar with ΔP 1 bar | |
| Mounting | In any position | |
| Materials | Body: Cover: Bottom plates: Spool: Distancers: Seals: Lever: | Anodised aluminium Anodised aluminium Hostaform C 13031 Hard aluminium anodized Ixef 1022 Hydrogenated Nitrile Butadiene Rubber (HNBR) Steel / Plastic |

Valves series A1

1/8", 3/2, manually operated, spring return with air assist

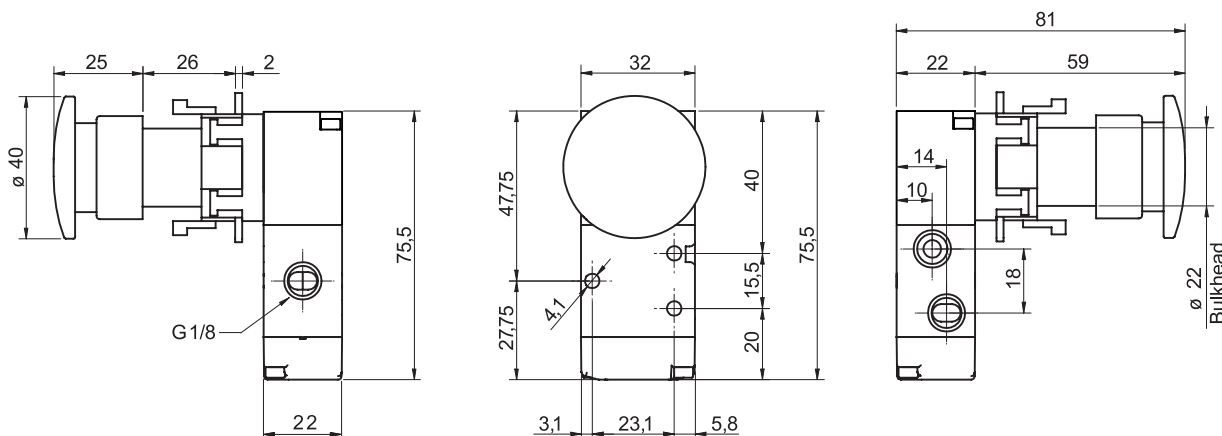


Valves series A1

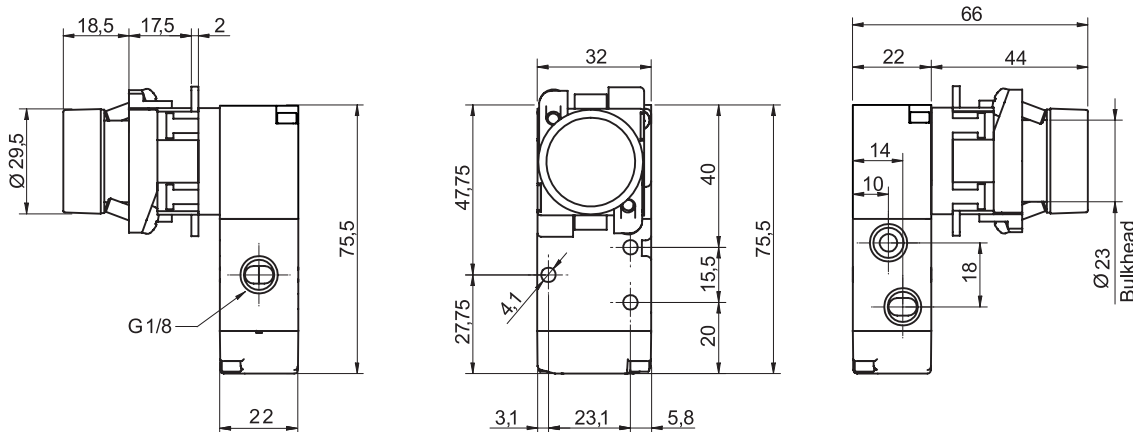
1/8", 3/2, manually operated, spring return with air assist



2

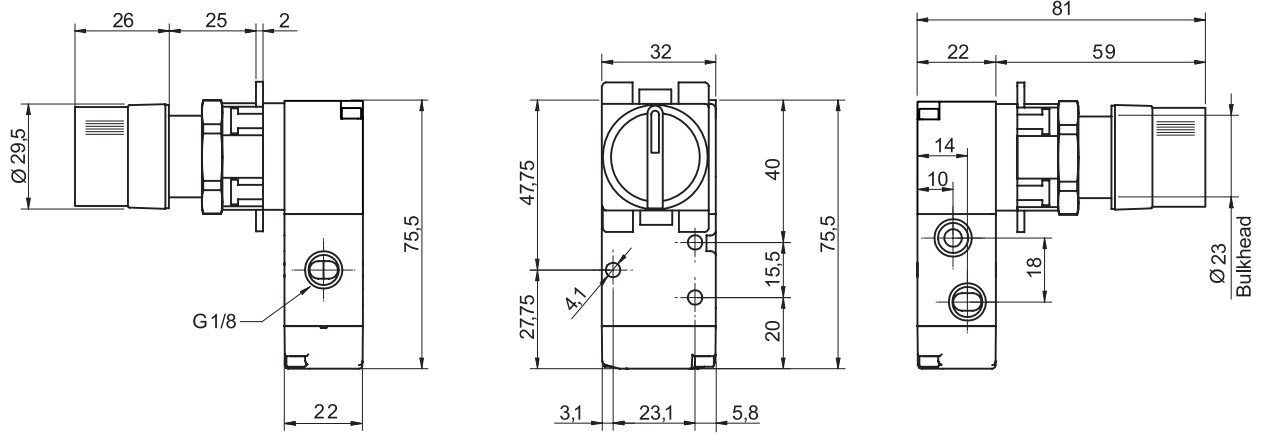


| Version | Symbol | Code | Item |
|------------------------------------------------|--------|--------|-------------|
| 3/2 NC red head, push button 90°, 1 position | | 036045 | A1MA130FR90 |
| 3/2 NC green head, push button 90°, 1 position | | 036046 | A1MA130FV90 |
| 3/2 NC black head, push button 90°, 1 position | | 036047 | A1MA130FN90 |
| 3/2 red head, push button 90°, 2 positions | | 036048 | A1MA132FR90 |



| Version | Symbol | Code | Item |
|----------------------------------------------|--------|--------|-------------|
| 3/2 NC red recessed button 90°, 1 position | | 036049 | A1MA130BR90 |
| 3/2 NC green recessed button 90°, 1 position | | 036050 | A1MA130BV90 |
| 3/2 NC black recessed button 90°, 1 position | | 036051 | A1MA130BN90 |

Valves series A1
 1/8", 3/2, manually operated, spring return with air assist



| Version | Symbol | Code | Item |
|---------------------------------------|--------|--------|-------------|
| 3/2 black selector 90° 2 positions | | 036052 | A1MA132SB90 |