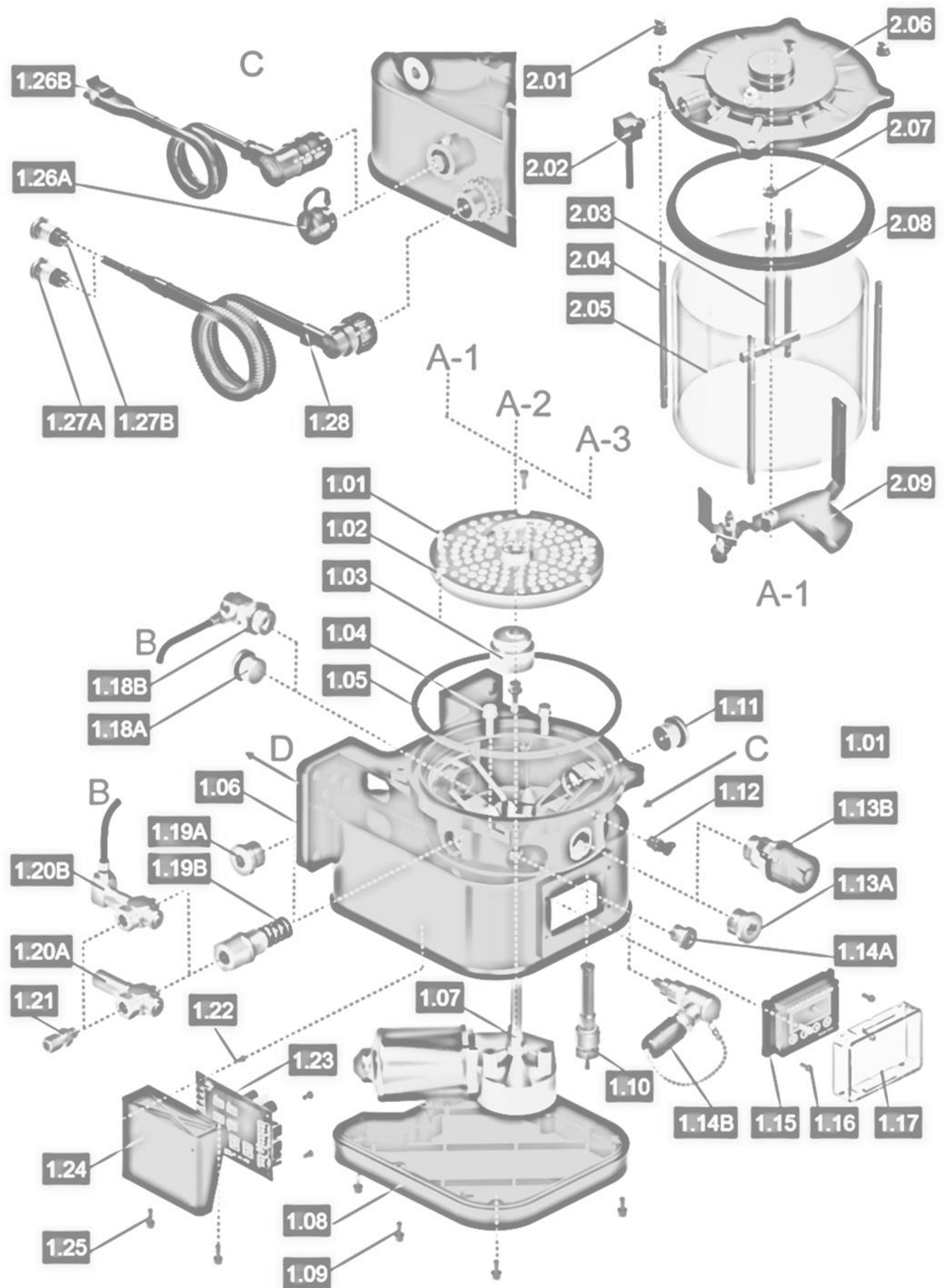


# Accessories for Automatic Lubrication System

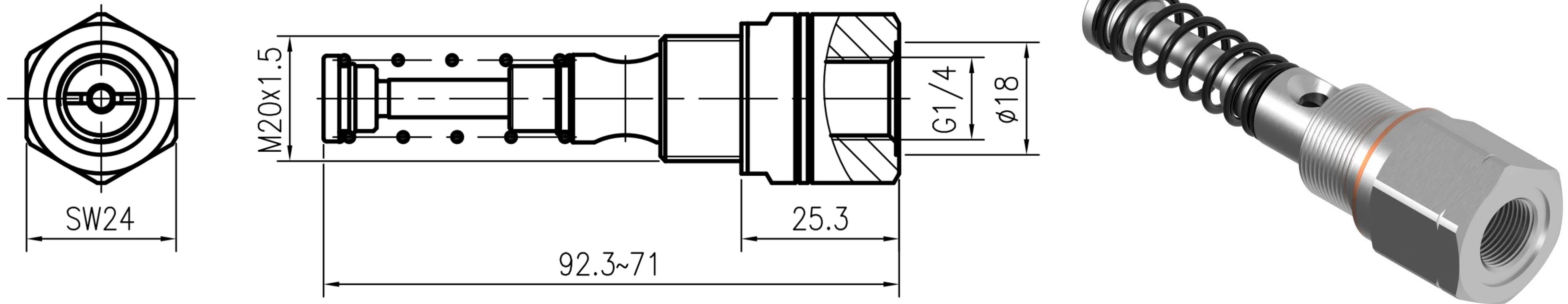
# Produkt Katalog



## Index

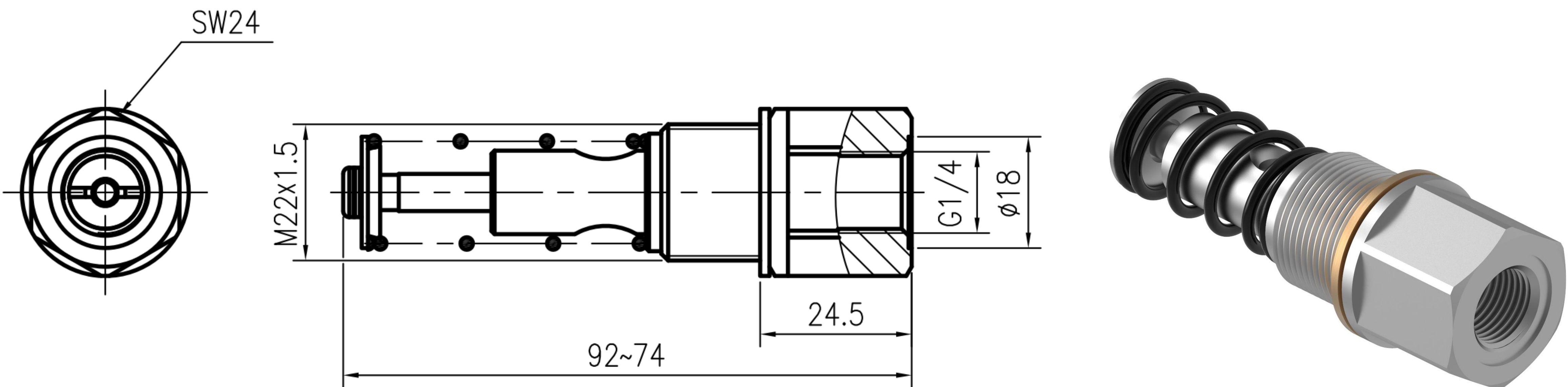
Pump Accessories / Pumpen Zubehör	3-8
Divider Accessories / Verteiler Zubehör	9-16
Fittings / Verschraubung	17-28
Hose, Tubes and Accessories / Schlauch und Zubehör	29-33

## Pump Element M20 x 1,5 / Pumpenelement M20 x 1,5



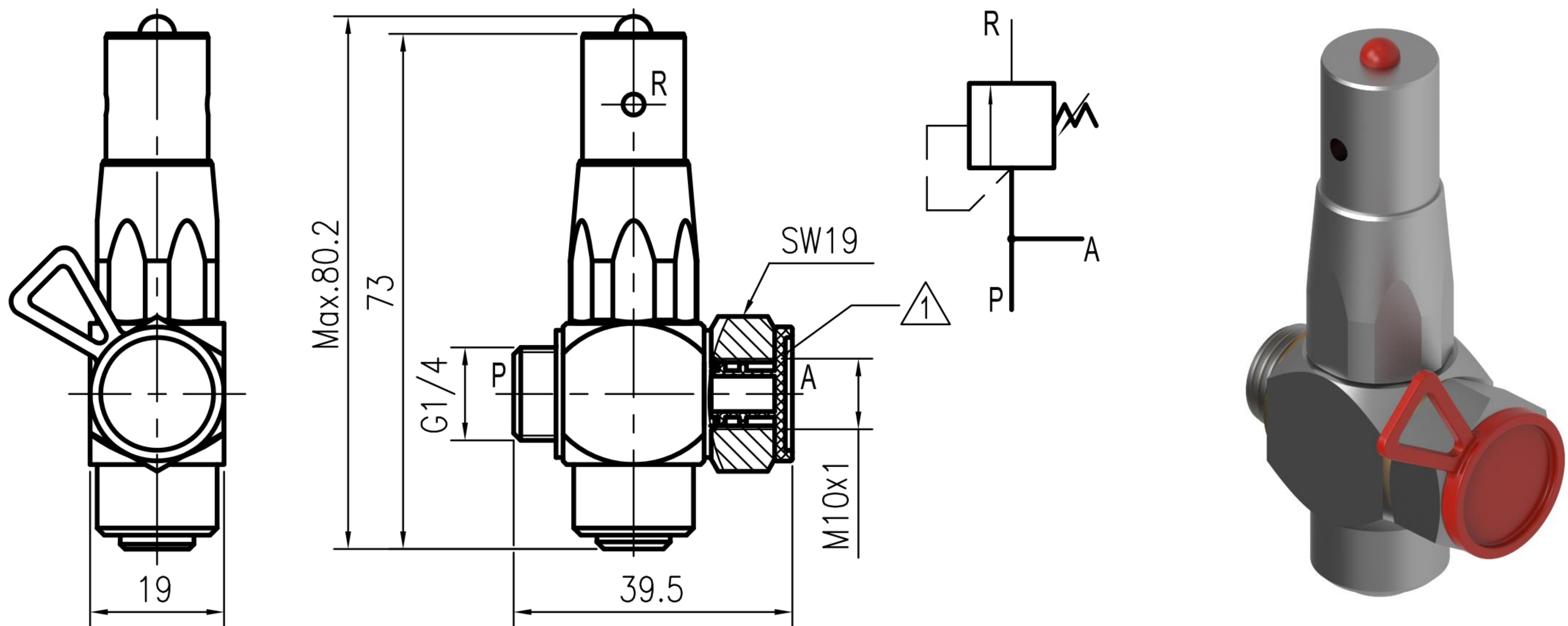
Part No.	Description	G1	Fit for	Material
2011025880	HPA Straight – M20	M20x1,5	ALPA	Steel Zinc Nickel + Plastic Cap
2010821140	HPA Straight – M22	M22x1,5	ALPB/ALP811	Steel Zinc Nickel + Plastic Cap

## Pump Element M22 x 1,5 / Pumpenelement M22 x 1,5



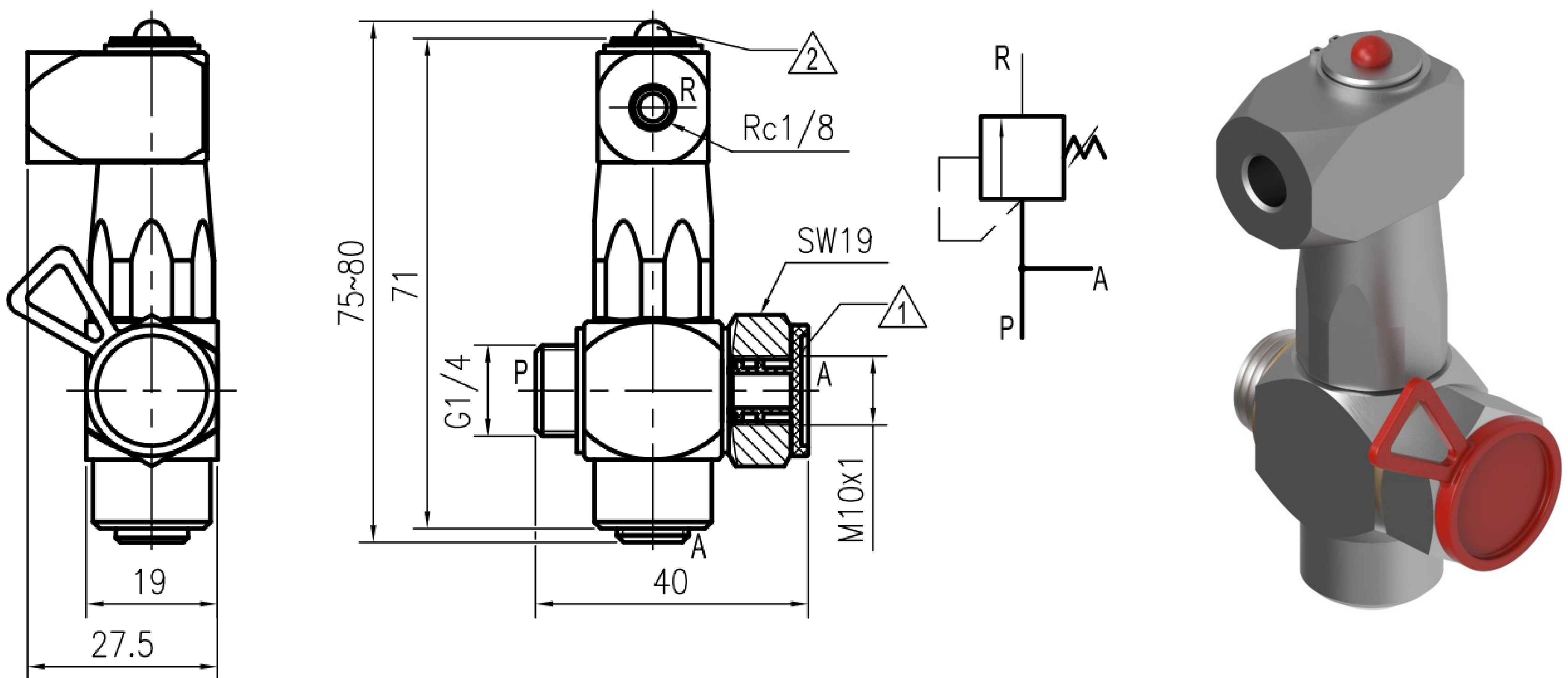
Part No.	Description	G1	Fit for	Material
2011025890	HPA 90 – M20	M20x1,5	ALPA	Steel Zinc Nickel + Plastic Cap
2010821150	HPA 90 – M22	M22x1,5	ALPB/ALP811	Steel Zinc Nickel + Plastic Cap

## Safety Valve Type C (SV-C) / Druckbegrenzungsventil (DBV-C)



Part No.	Description	G1	Fit for	Material
2011025880	HPA Straight – M20	M20x1,5	ALPA	Steel Zinc Nickel + Plastic Cap
2010821140	HPA Straight – M22	M22x1,5	ALPB/ALP811	Steel Zinc Nickel + Plastic Cap

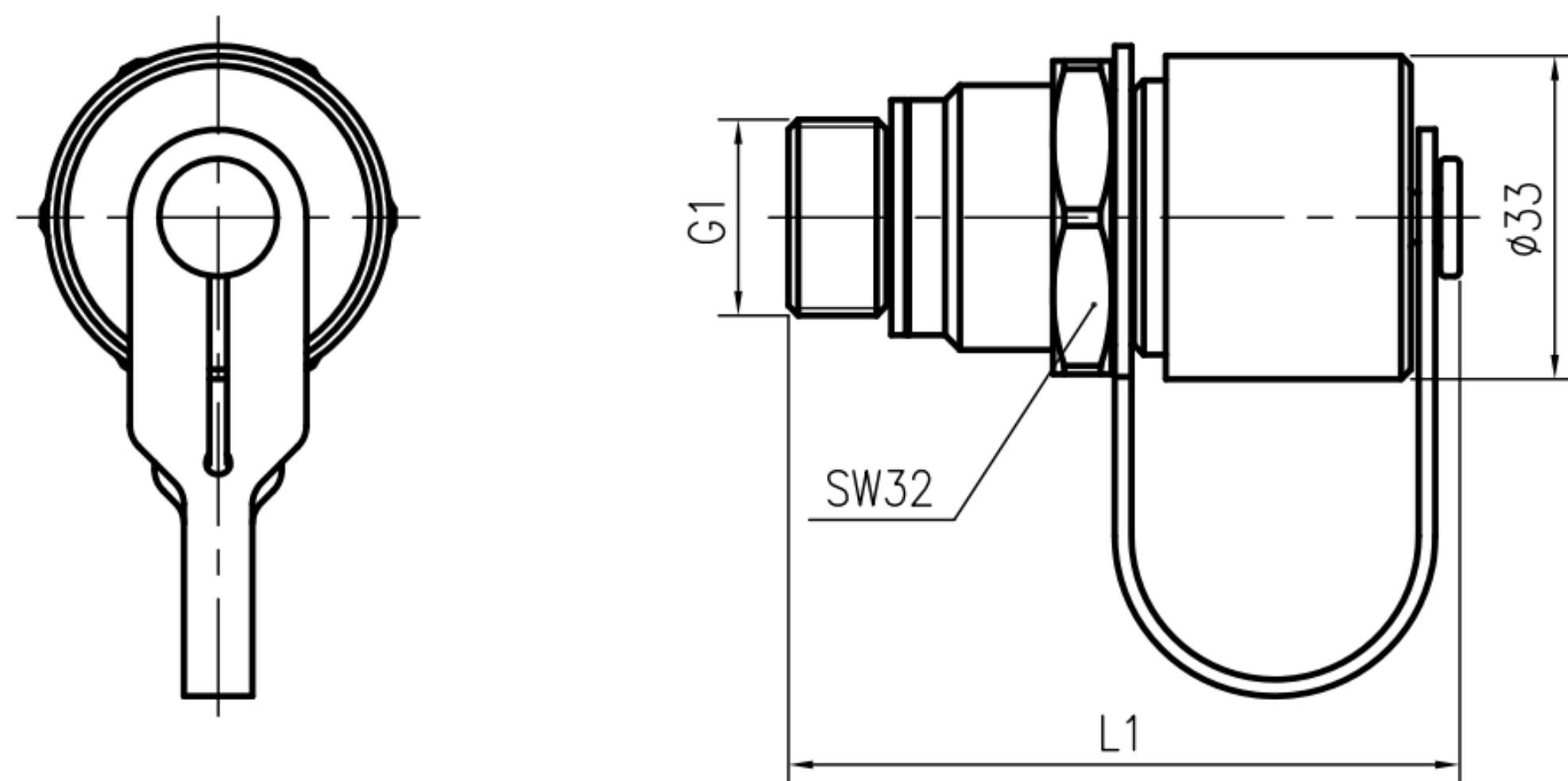
## Safety Valve Type C (SV-A) / Druckbegrenzungsventil (DBV-A)



Part No.	Description	G1	Fit for	Material
2011025890	HPA 90 – M20	M20x1,5	ALPA	Steel Zinc Nickel + Plastic Cap
2010821150	HPA 90 – M22	M22x1,5	ALPB/ALP811	Steel Zinc Nickel + Plastic Cap

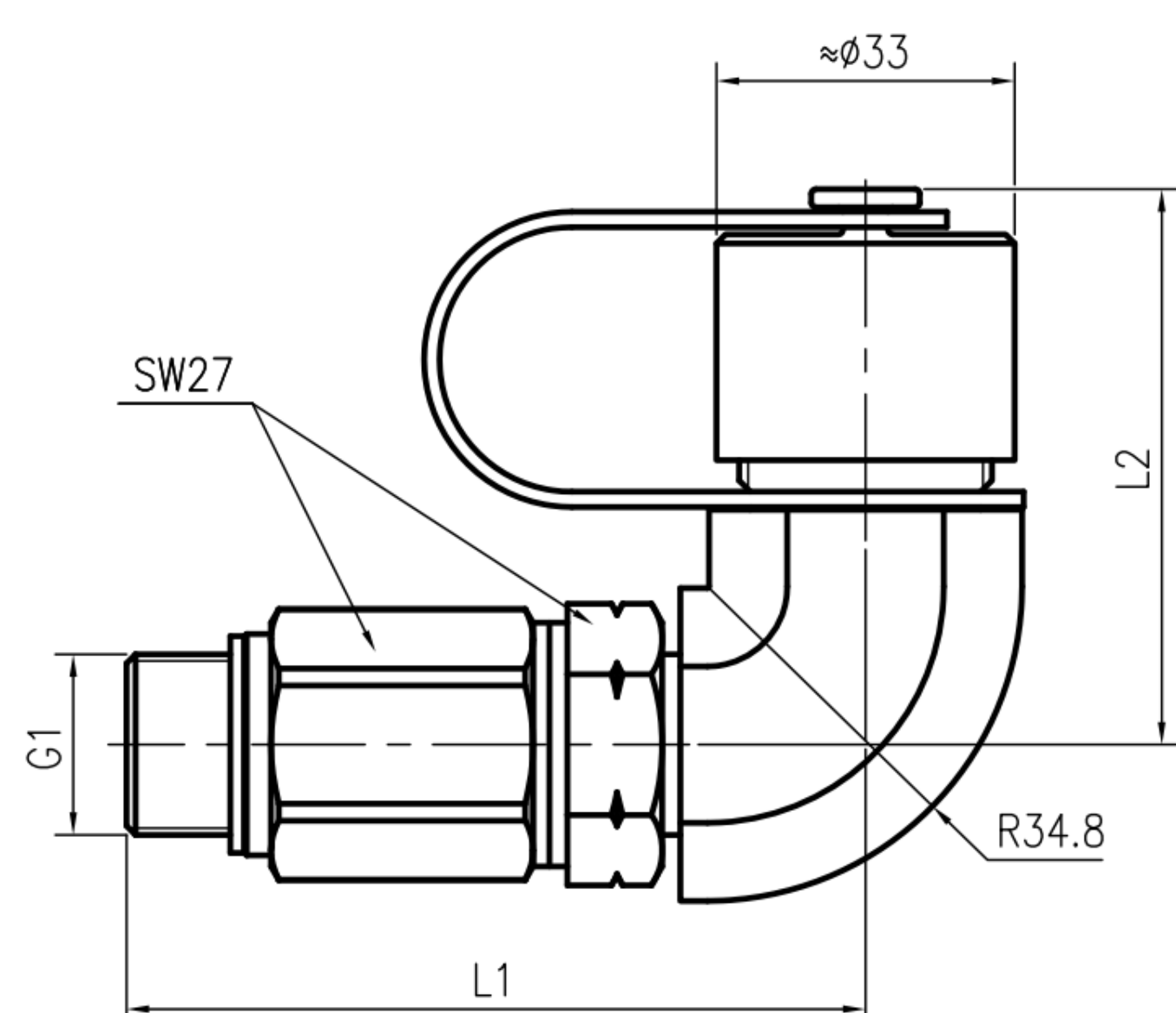
- ⚠ When the safety valve needs to be connected to the divider, it needs to be removed.
- ⚠ When safety valve bypass opens, the red pin moves out.

## Hand Press Adapter Straight / Befüllanschluss Gerade



Part No.	Description	G1	Fit for	L1	Material
2011025880	HPA Straight – M20	M20x1,5	ALPA	60	Steel Zinc Nickel + Plastic Cap
2010821140	HPA Straight – M22	M22x1,5	ALPB/ALP811	60	Steel Zinc Nickel + Plastic Cap

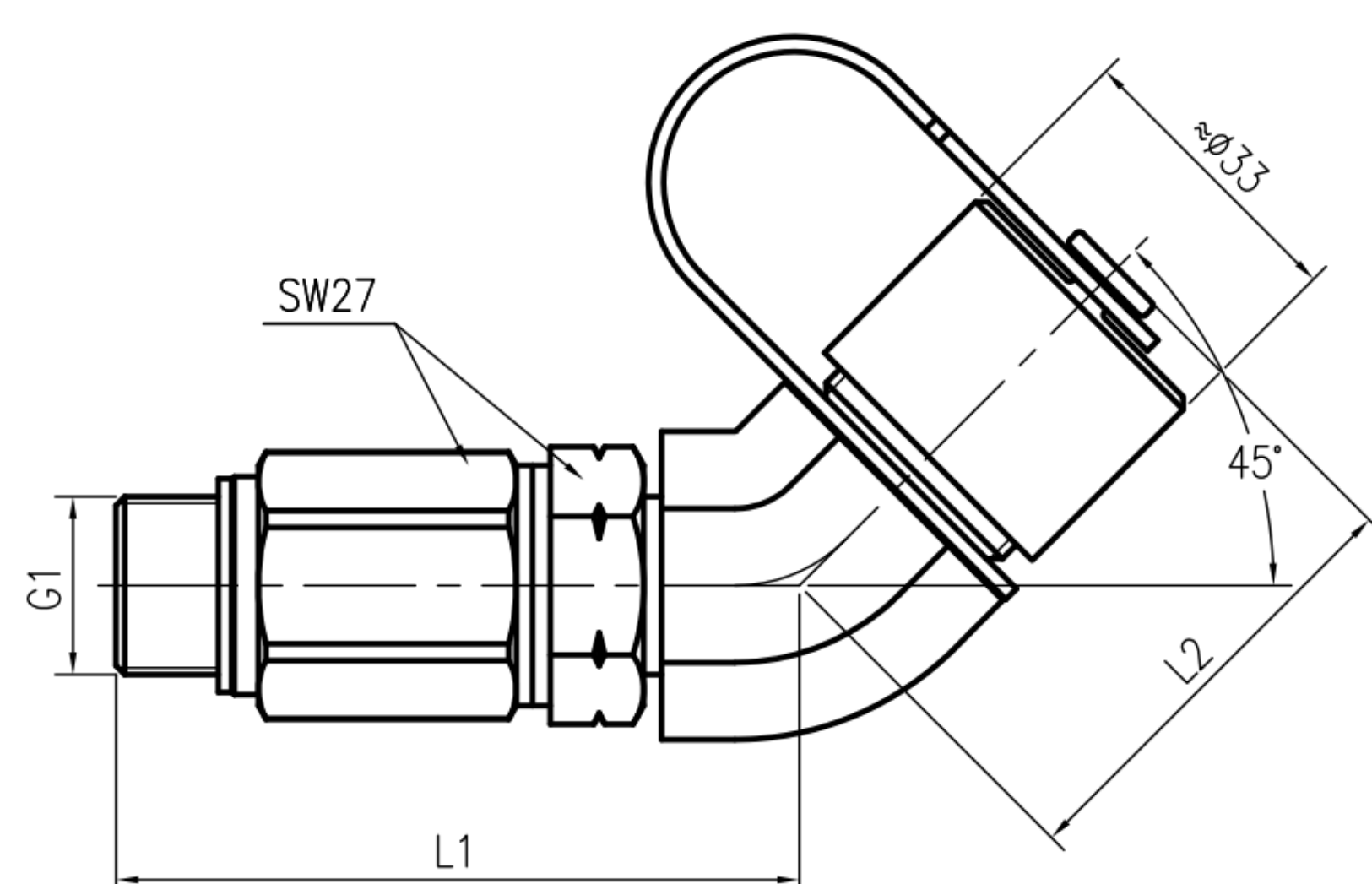
## Hand Press Adapter 90 / Befüllanschluss 90



Part No.	Description	G1	Fit for	L1	L2	Material
2011025890	HPA 90 – M20	M20x1,5	ALPA	82*	62	Steel Zinc Nickel + Plastic Cap
2010821150	HPA 90 – M22	M22x1,5	ALPB/ALP811	82*	62	Steel Zinc Nickel + Plastic Cap

\*Part No. 2011025890 and 2010821150 are incl. Extension. Separate Part No. for Extension M20-M22 is 2011031720, and Extension M22-M22 is 2010830290

## Hand Press Adapter 45 / Befüllanschluss 45



Part No.	Description	G1	Fit for	L1	L2	Material
2011025900	HPA 45 – M20	M20x1,5	ALPA	77	51	Steel Zinc Nickel + Plastic Cap
2010821160	HPA 45 – M22	M22x1,5	ALPB/ALP811	45*	51	Steel Zinc Nickel + Plastic Cap

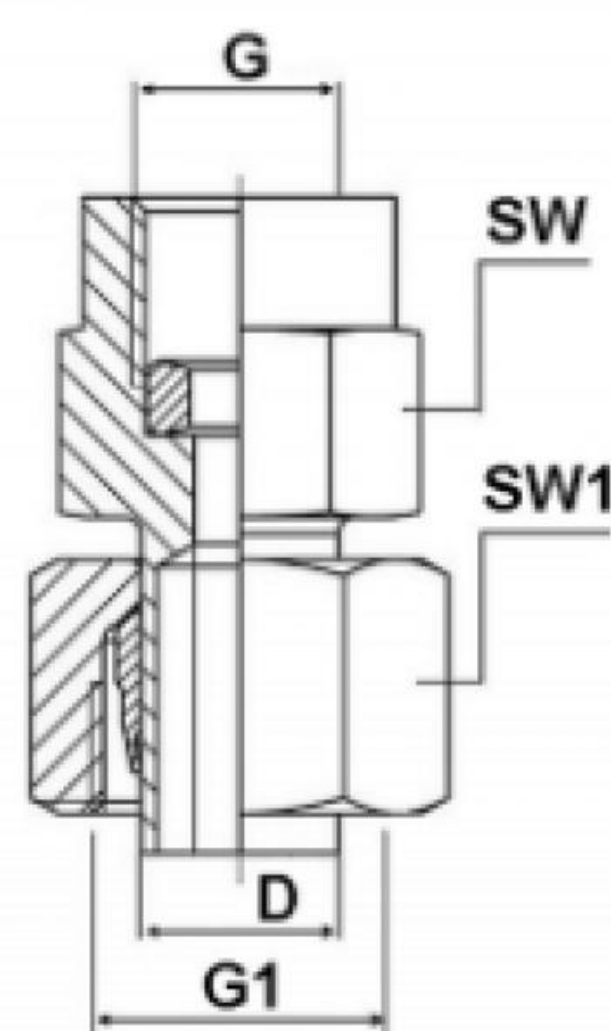
• For Part No. 2010821160 HPA 45 – M22 is excl. extension. Separate Part No. for Extension M20-M22 is 2011031720, and Extension M22-M22 is 2010830290

## Pressure Gauge / Manometer



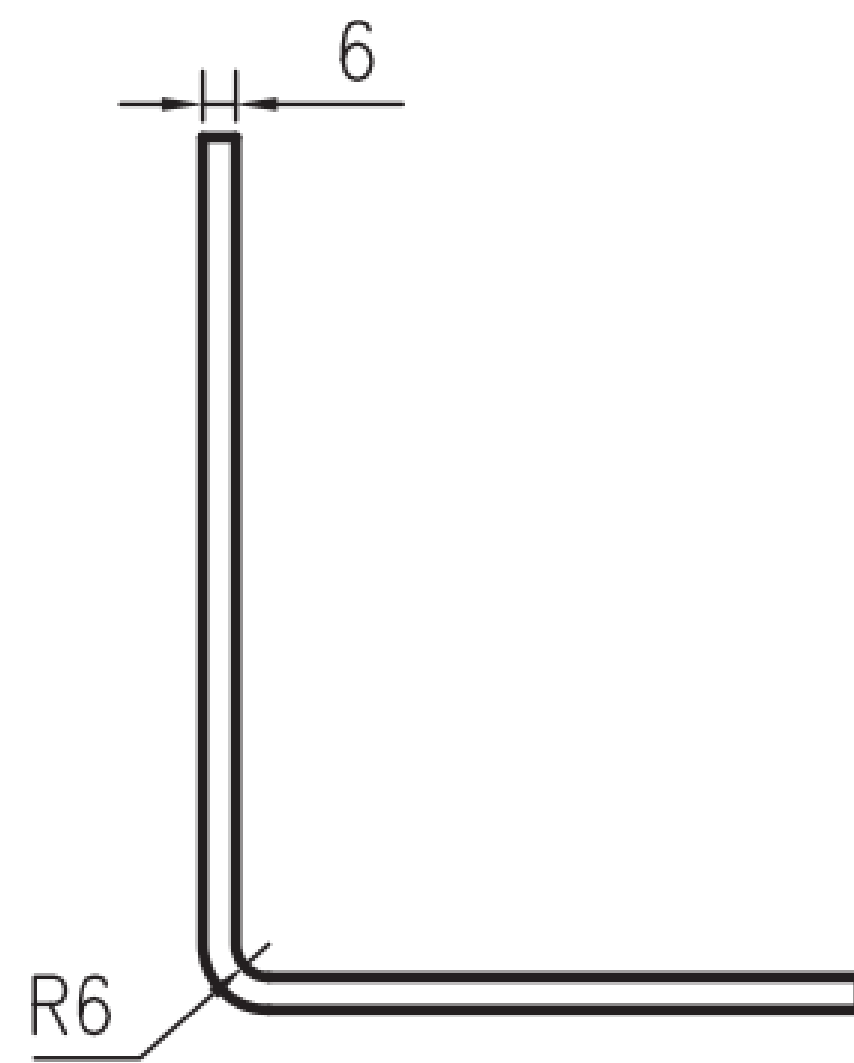
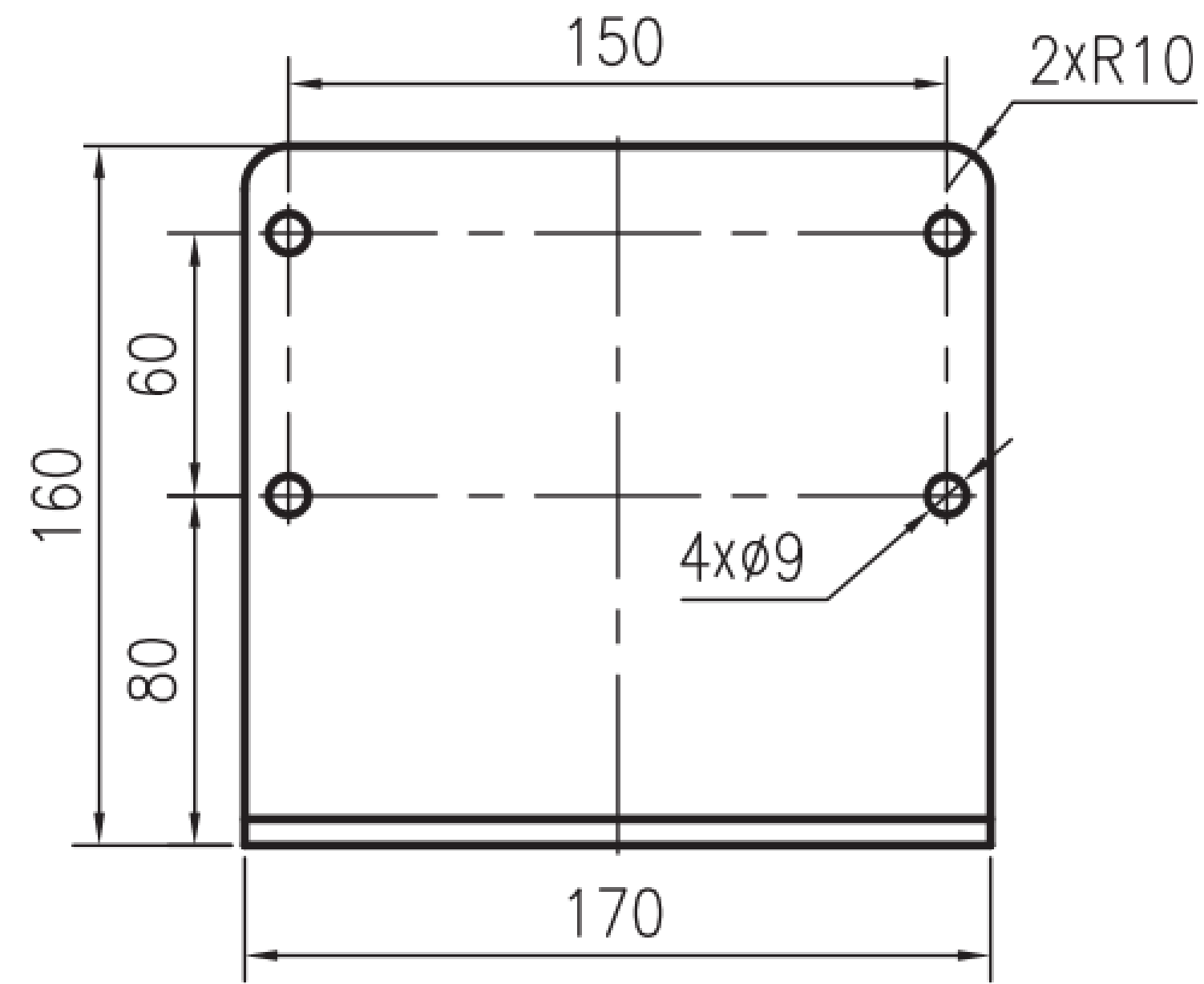
Part No.	Description 1	Description 2	D	G	Pressure (bar)	Material
9901654	PG-S D6R4	Manometer 63 1/4 OA 0-400	63,00	R1/4	0-400	Steel

## Coupling for Pressure Gauge / Einschraubverschraubung der Manometer



Part No.	Description	G	G1	D	SW	SW1	Material
9901655	CPG-ZN D6M12	1/4	M12x1.5	6	14	19	Steel zinc-nickel

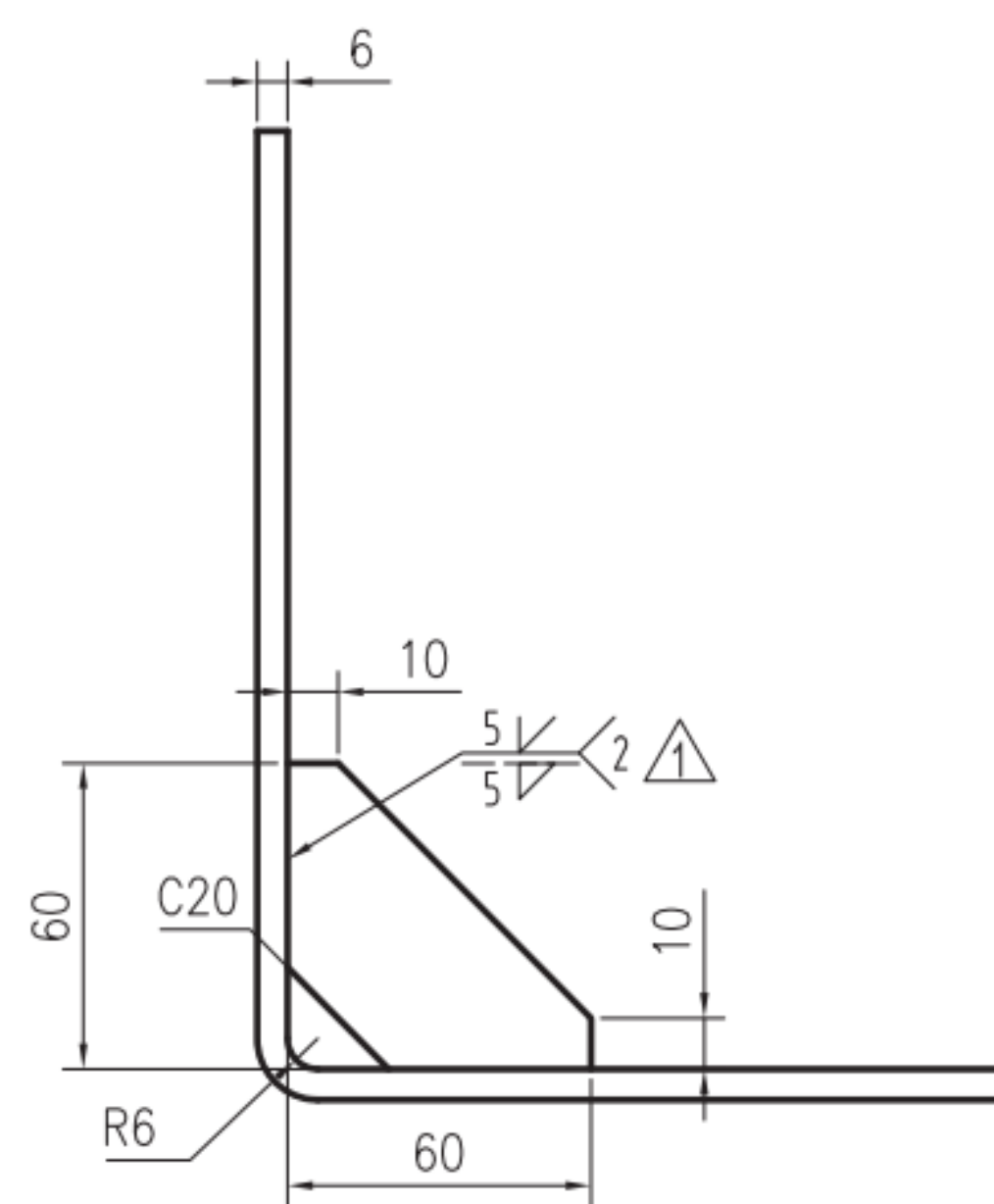
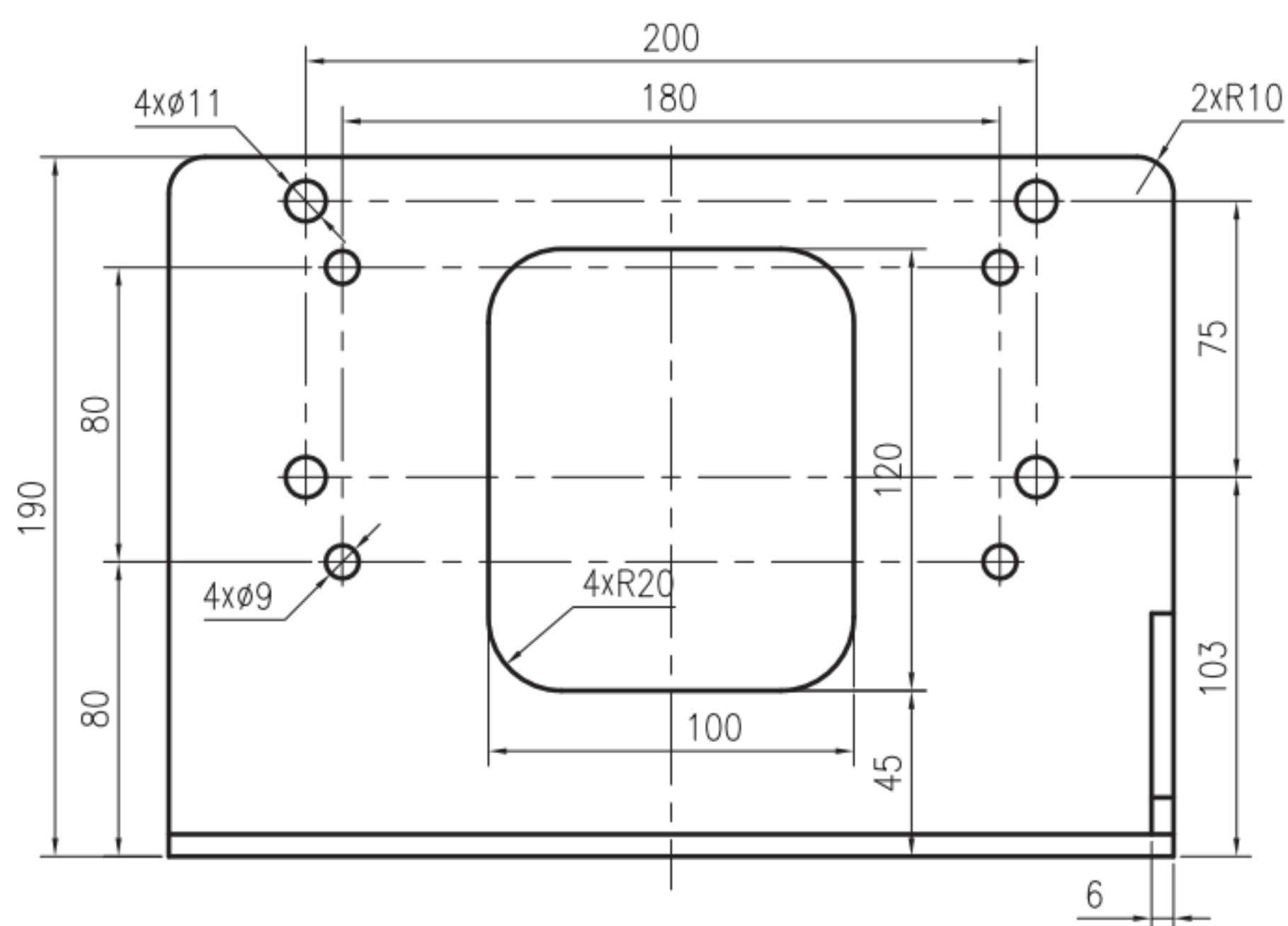
## Pump Mounting Bracket A



1. Pump bracket is designed for ALP811 series pump.
2. Surface treatment: Electrostatic powder spray coating, bright black (RAL9011).
3. Material: E355 (DIN EN 10025-2/DIN 17100)
4. Dimensional tolerance according to DIN6390.

Part No.	Description	Fit for	Material
3010102600	PMB - A	ALP811	Steel, Bright Black

## Pump Mounting Bracket B

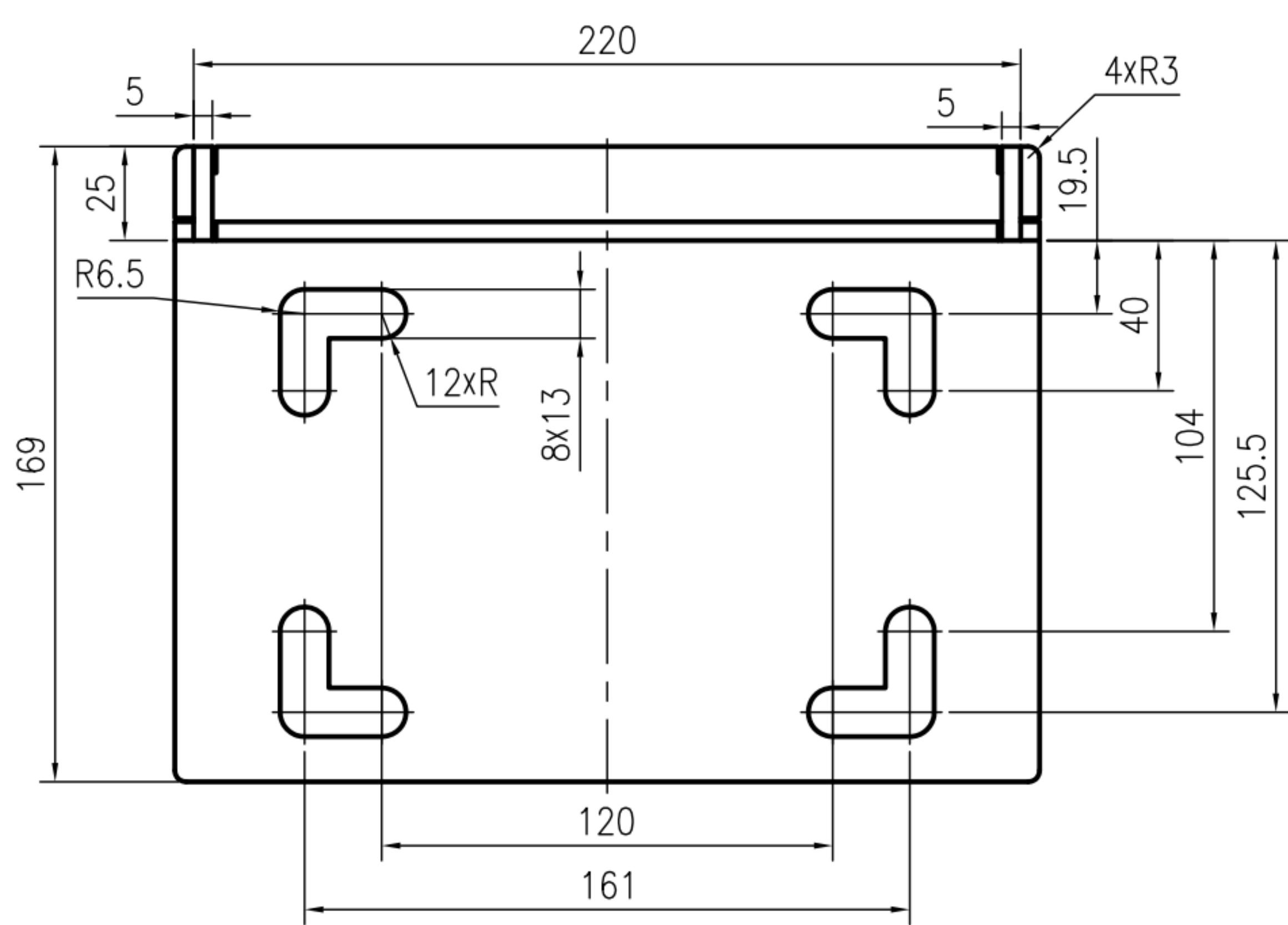
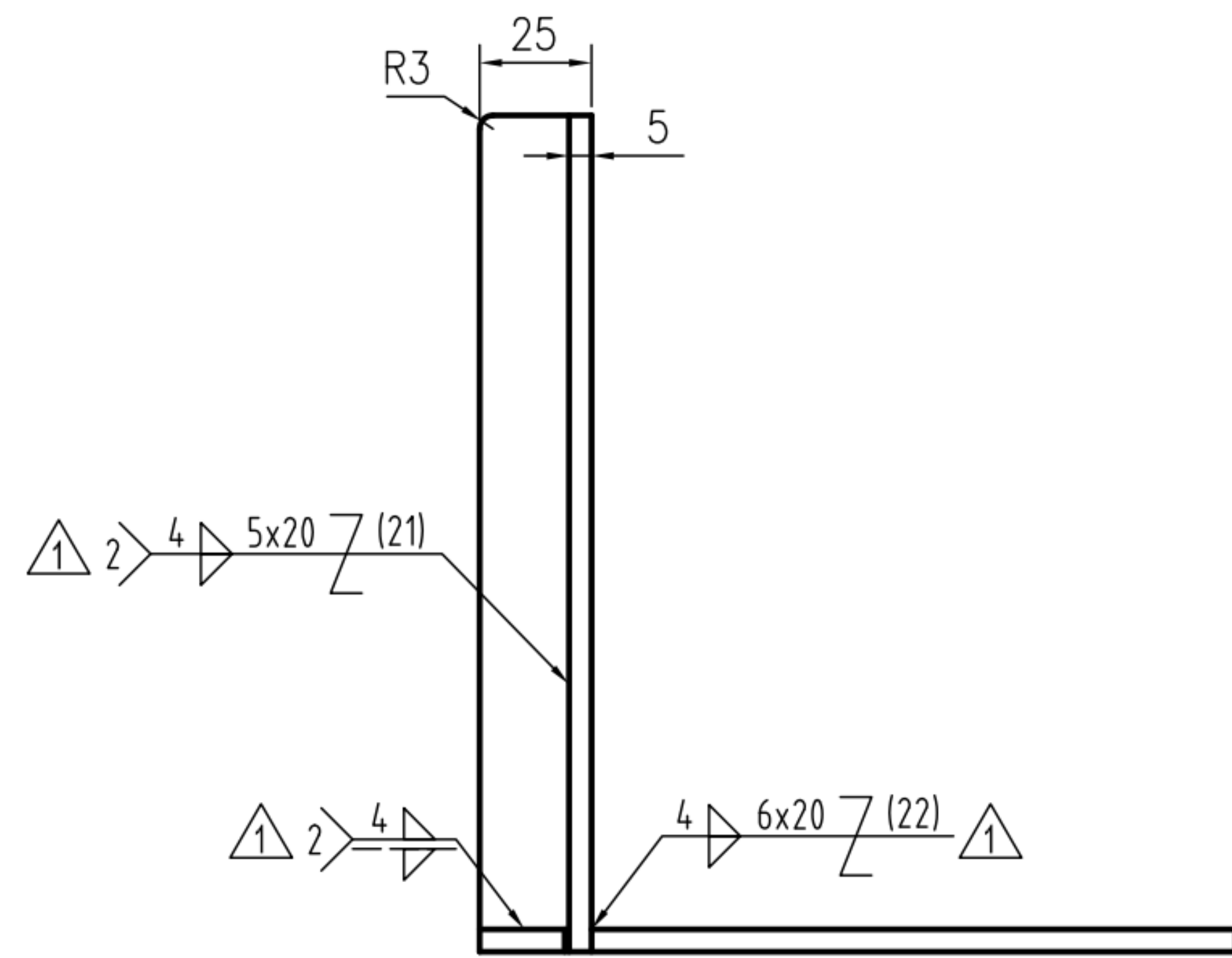
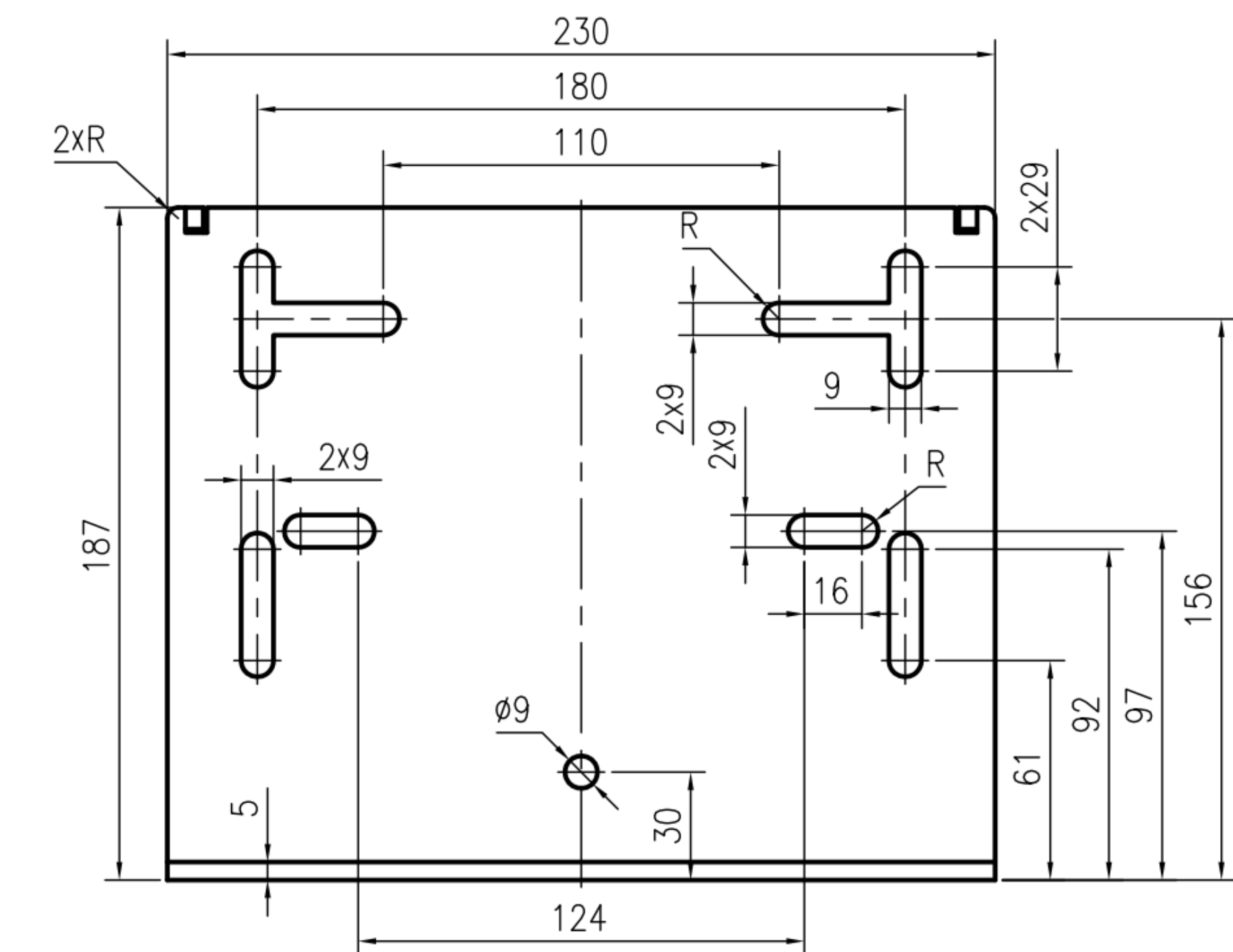


1. Pump bracket is designed for ALPA/ALPB series pump.
2. Surface treatment: Electrostatic powder spray coating, bright black (RAL9011).
3. Material: E355 (DIN EN10025-2/DIN 17100)
4. Dimensional tolerance according to DIN6390.

⚠ Parts are welded according to ISO 4063:2009 and ISO 2553:2019.

Part No.	Description	Fit for	Material
3010106781	PMB - B	ALPB/ALPA	Steel, Bright Black

# Pump Mounting Bracket A



1. Pump bracket is designed for ALPA series pump.
2. Surface treatment: Electrostatic powder spray coating, bright black (RAL9011).
3. Material: E355 (DIN EN10025-2/DIN 17100)
4. Dimensional tolerance according to DIN6390.

△ Parts are welded according to ISO 4063:2009 and ISO 2553:2019.

Part No.	Description	Fit for	Material
3010107870	PMB - C	ALPA	Steel, Bright Black

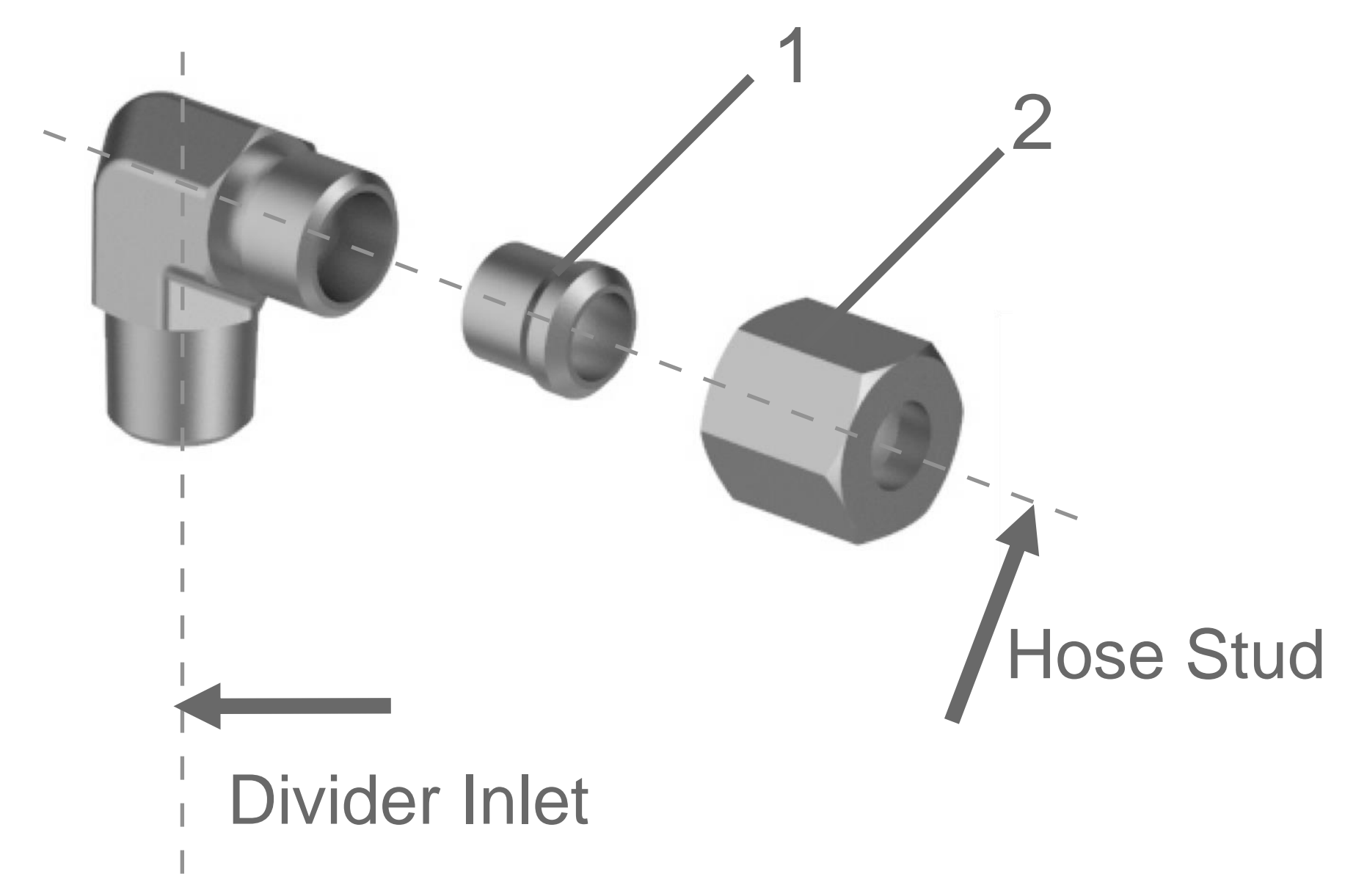


## Inlet Screw Couplings / Eingangsverschraubungen

All screw couplings with M10x1k threads can be directly used for the inlet connection of the divider. All screw couplings with M10x1 threads can be used together with a copper ring (or ED sealed) for the input connection.

### Elbow Inlet Screw Couplings

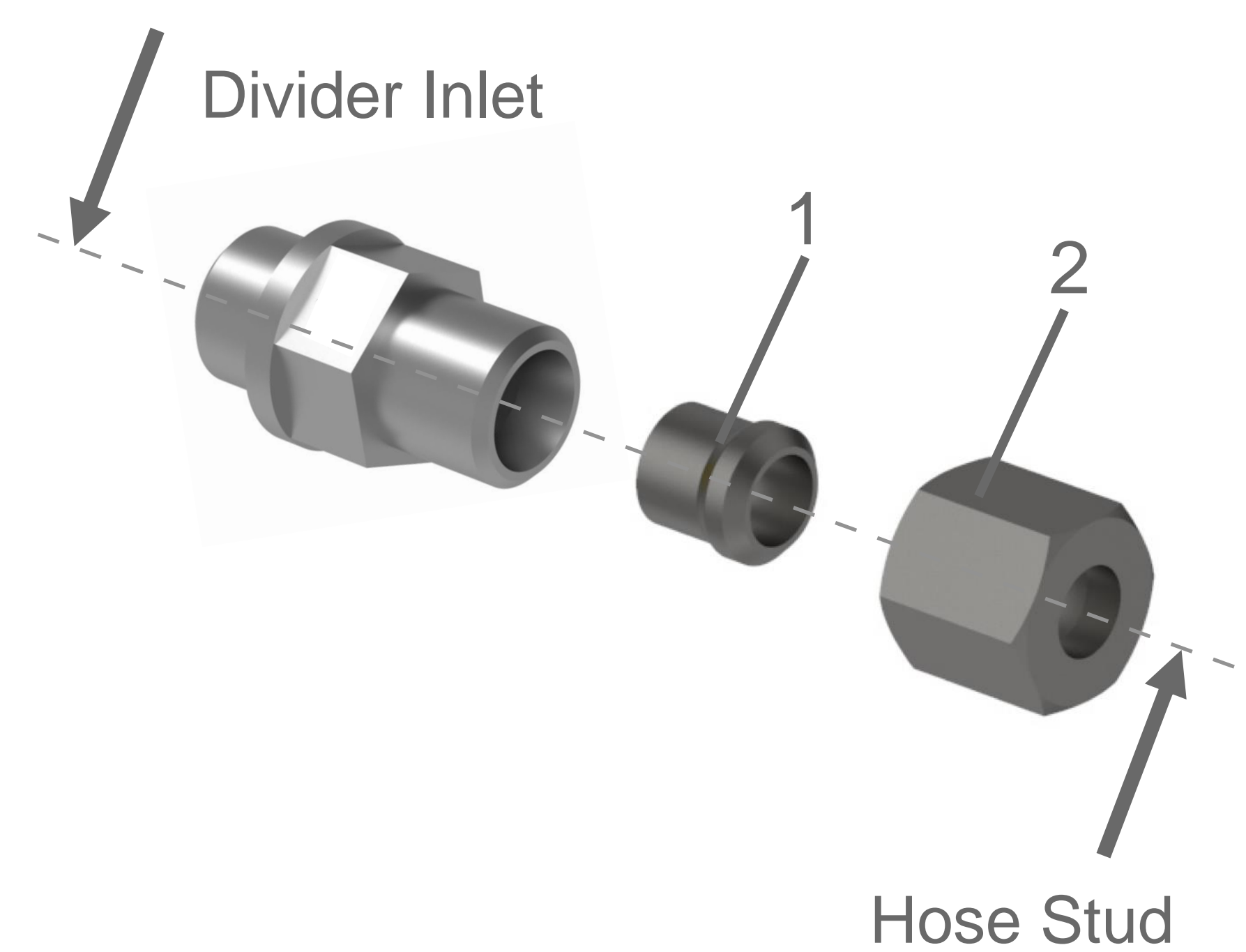
Description	Part No.
WE-ZN M10KD6	9900147
WE-ZN M10KD8	9900149
Spare Parts 1 – Cutting Ring	
SR-ZN D6	9900209
SR-ZN D8	9900211
Spare Parts 2 - Cap of Cutting Ring	
U-ZN D6	9900199
U-ZN D8	9900202



- 1- Coupling and Connector Cutting Ring
- 2- Coupling and Connector Nut

### Straight Inlet Screw Couplings

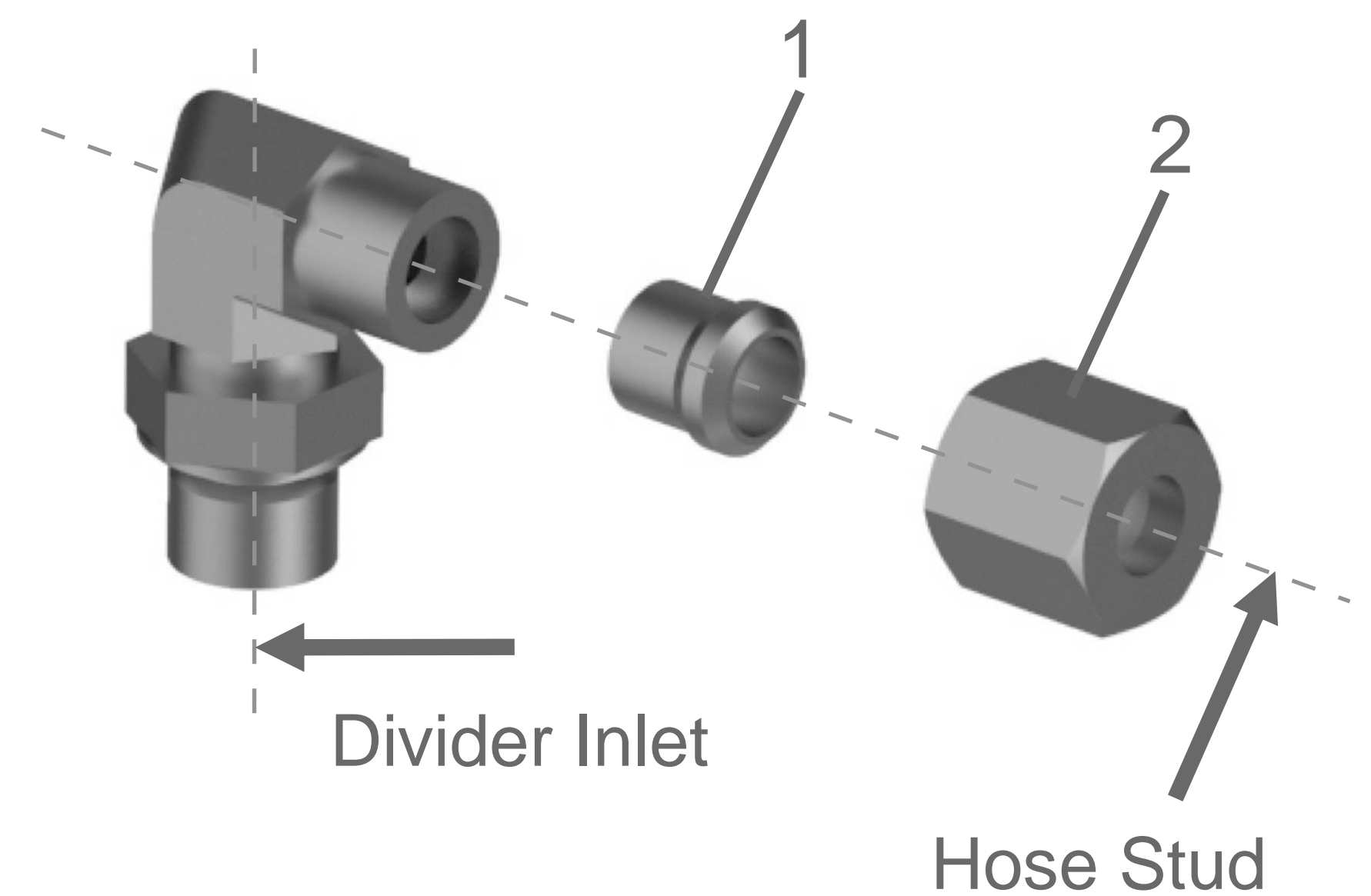
Description	Part No.
GE-ZN M10KD6	9900111
GE-ZN M10KD8	9900112
GE-ZN M10D6 (ED sealed)	3050100890
GE-ZN M10D8 (ED sealed)	3050104830
Spare Parts 1 - Coupling and Connector Cutting Ring	
SR-ZN D6	9900209
SR-ZN D8	9900211
Spare Parts 2 - Coupling and Connector Nut	
U-ZN D6	9900199
U-ZN D8	9900202



- 1- Coupling and Connector Cutting Ring
- 2- Coupling and Connector Nut

## Swivel Inlet Screw Couplings

Description	Part No.
WSA-ZN M10D6 (ED sealed)	3050100620
WSA-ZN M10D8 (ED sealed)	3050105150
WS-ZN M10D6 (ED sealed)	9900323
WS-ZN M10D8 (ED sealed)	9900324
Spare Parts 1 - Coupling and Connector Cutting Ring	
SR-ZN D6	9900209
SR-ZN D8	9900211
Spare Parts 2 - Coupling and Connector Nut	
U-ZN D6	9900199
U-ZN D8	9900202



1- Coupling and Connector Cutting Ring  
2- Coupling and Connector Nut  
Swivel Inlet Screw Coupling WSA



1- Coupling and Connector Cutting Ring  
2- Coupling and Connector Nut  
Swivel Inlet Screw Coupling WS

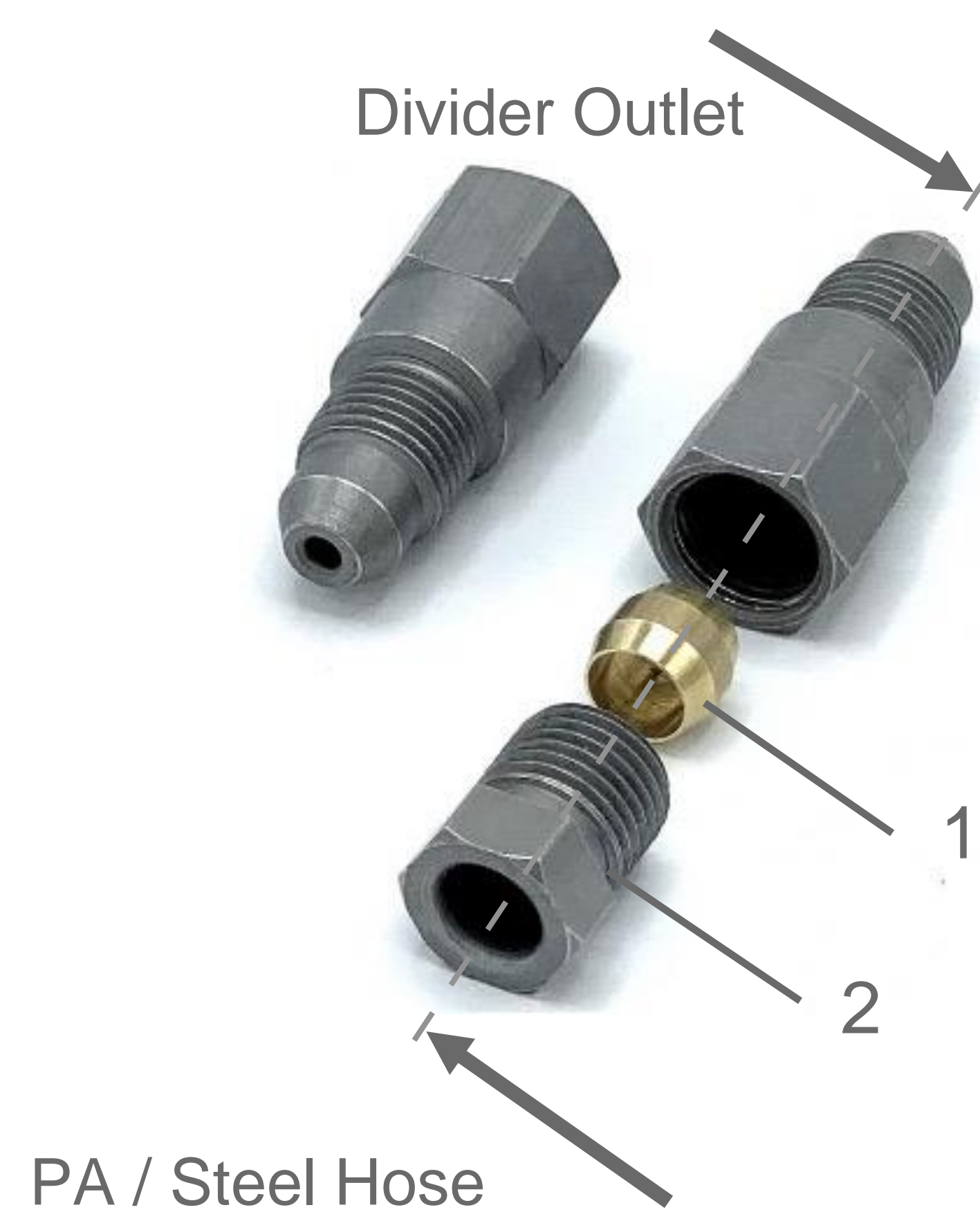
## Outlet Screw Couplings / Ausgangverschraubungen

All screw couplings (including double cone socket union, non return valve and coupling without non return valve) with M10x1k threads can be directly used for the inlet connection of the JPQ divider. All screw couplings with M10x1 threads can be used together with a copper ring (or ED sealed) for the input connection.

### RDGE\*

Description	Part No.
RDGE-ZN M10D6 (double cone drive and socket union are <b>NOT</b> incl.)	9901653
Spare Parts 1 - Double Cone Drive	
DK-MS D6	9900226
Spare Parts 2 - Socket Union for Double Cone Drive	
UDK-ZN M10D6	9900223

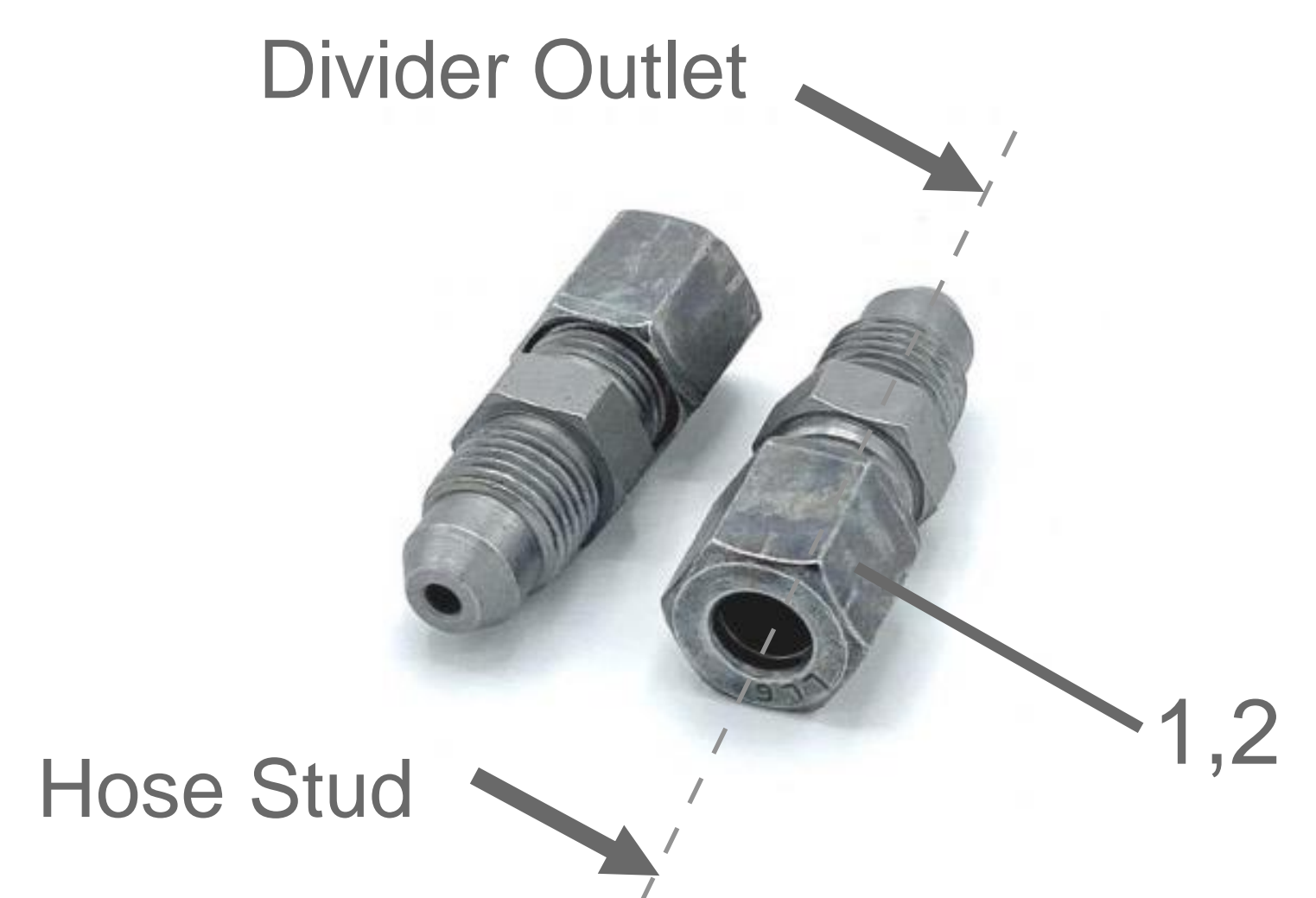
\* Even RDGE has a M10x1 thread, the copper ring or ED sealed is not necessary here.



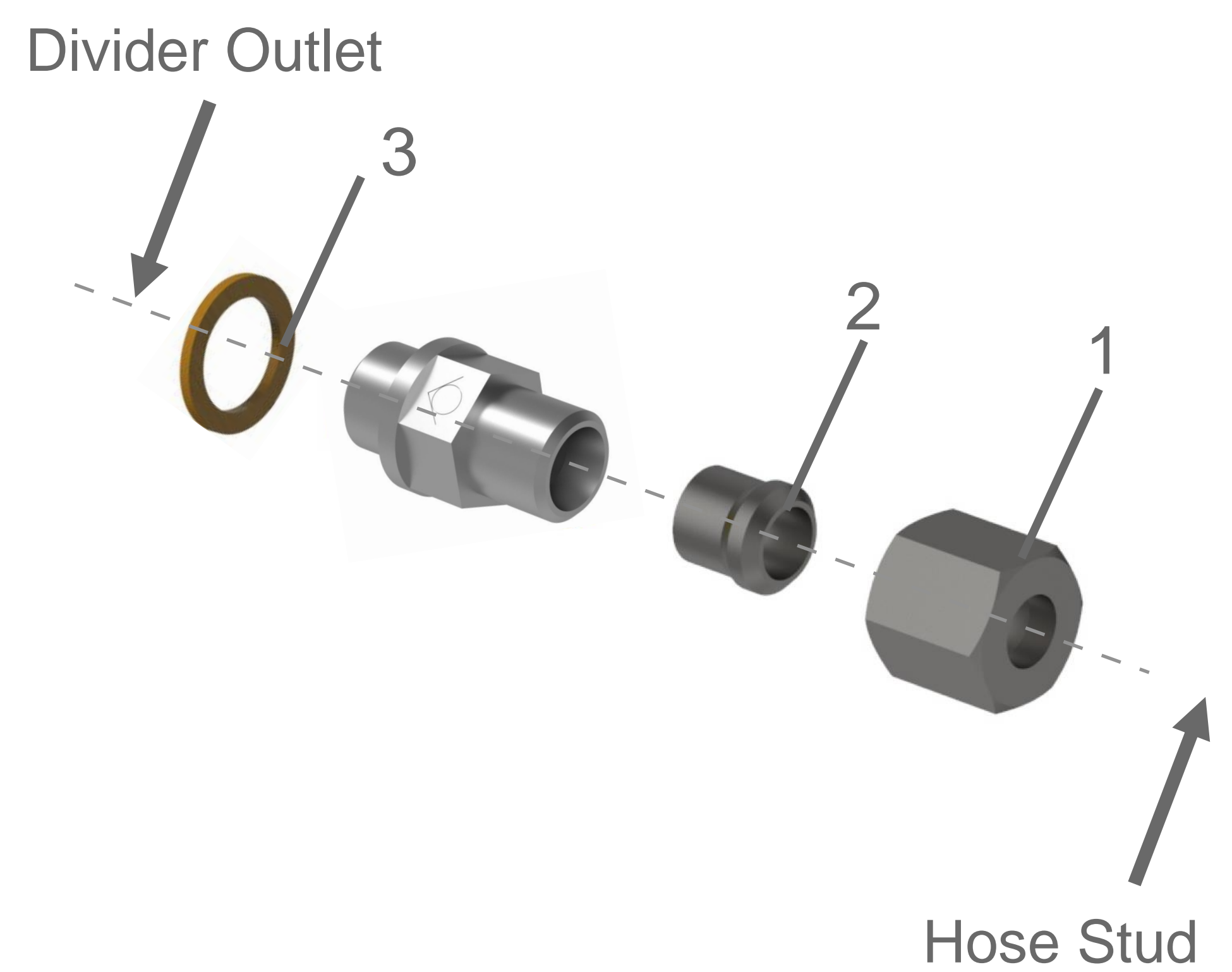
1- Coupling and Connector  
2- Coupling and Connector Cutting Ring

RGE

Description	Part No.
RGE-ZN M10D6	9901652
RGE-ZN M10D6A	2020120150
Spare Parts 1 - Coupling and Connector Cutting Ring	
SR-ZN D6	9900209
Spare Parts 2 - Coupling and Connector Nut	
U-ZN D6	9900199
Spare Parts 3 - Copper Ring	
CR 10-14x1	3010401930



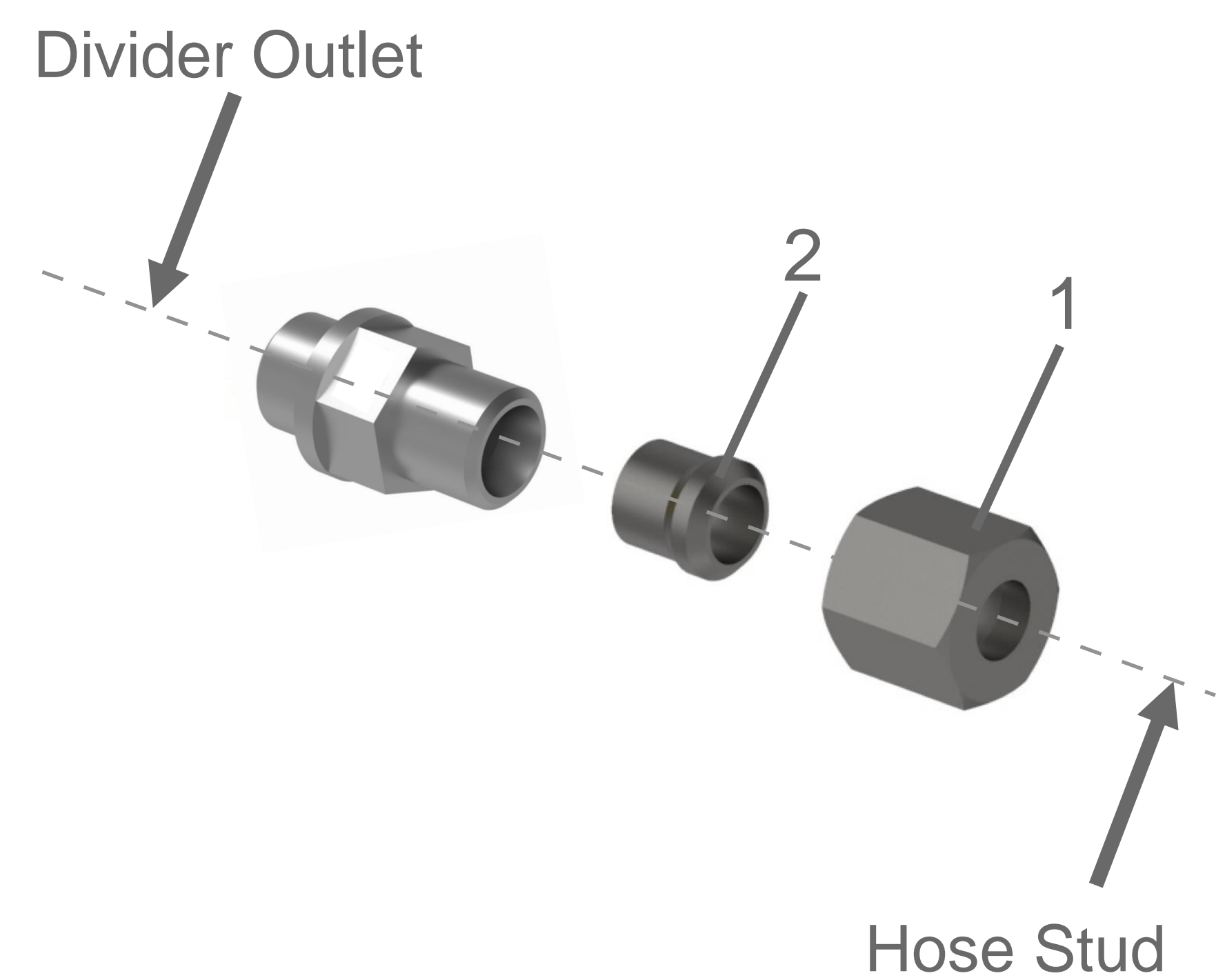
- 1- Coupling and Connector Cutting Ring
  - 2- Coupling and Connector Nut
- RGE-ZN M10D6- Non Return Valve



- 1- Coupling and Connector Cutting Ring
  - 2- Coupling and Connector Nut
  - 3- Coppering Ring (not incl.)
- RGE-ZN M10D6A - Non Return Valve with Copper Ring

GE

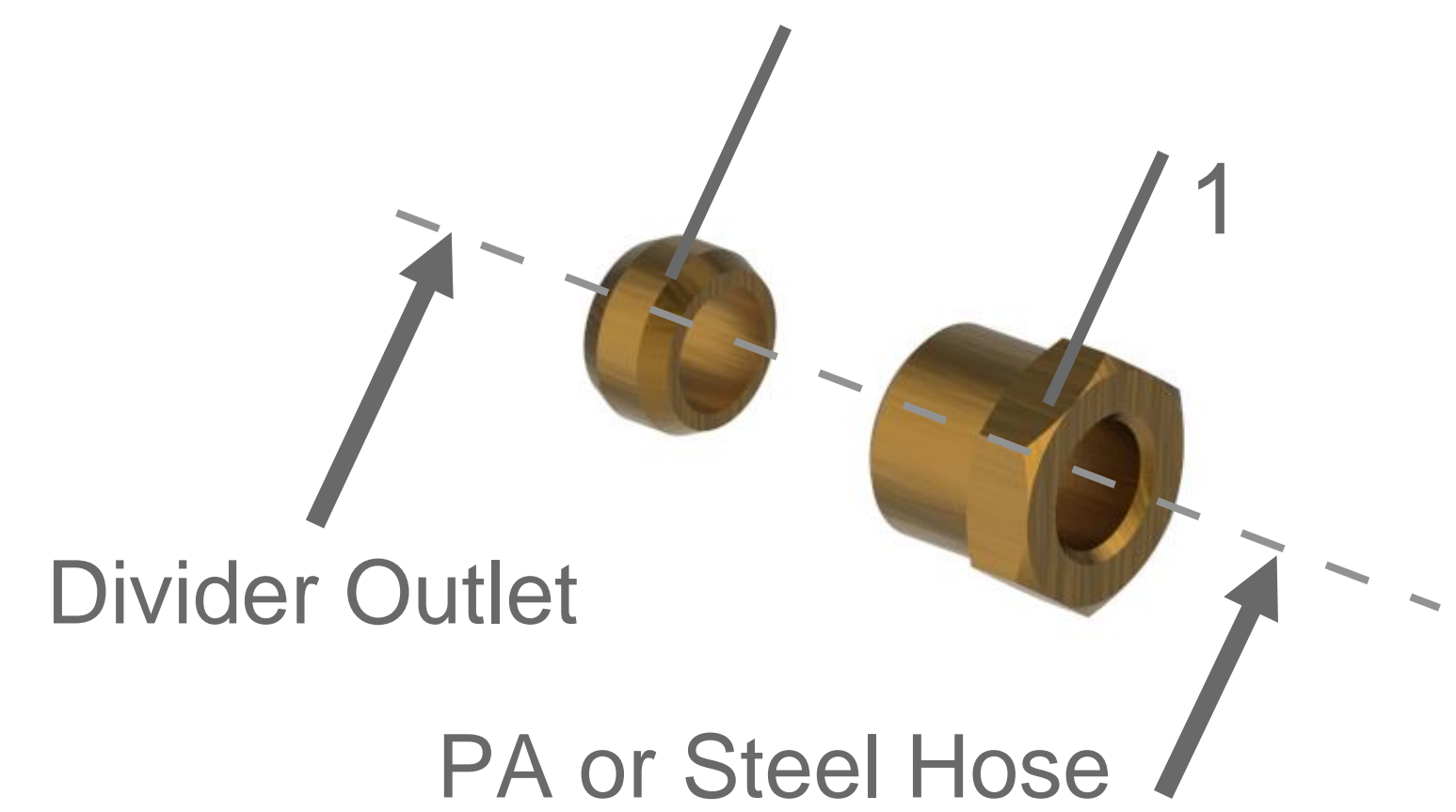
Description	Part No.
GE-ZN M10KD6	9900111
GE-ZN M10D6 (ED sealed)	2020420350
Spare Parts - Coupling and Connector Cutting Ring	
SR-ZN D6	9900209
Spare Parts - Coupling and Connector Nut	
U-ZN D6	9900199



- 1- Coupling and Connector Cutting Ring
- 2- Coupling and Connector Nut

UDK

Description	Part No.
UDK-ZN M10D6 (Part 1 in Dia. 11.1)	9900223
DK-MS D6	9900226



- 1- Socket Union for Double Cone Drive
- 2- Double Cone Drive

PGE

Description	Part No.
PGE-MS M10KD6	9900233



## Outlet Blind Plug

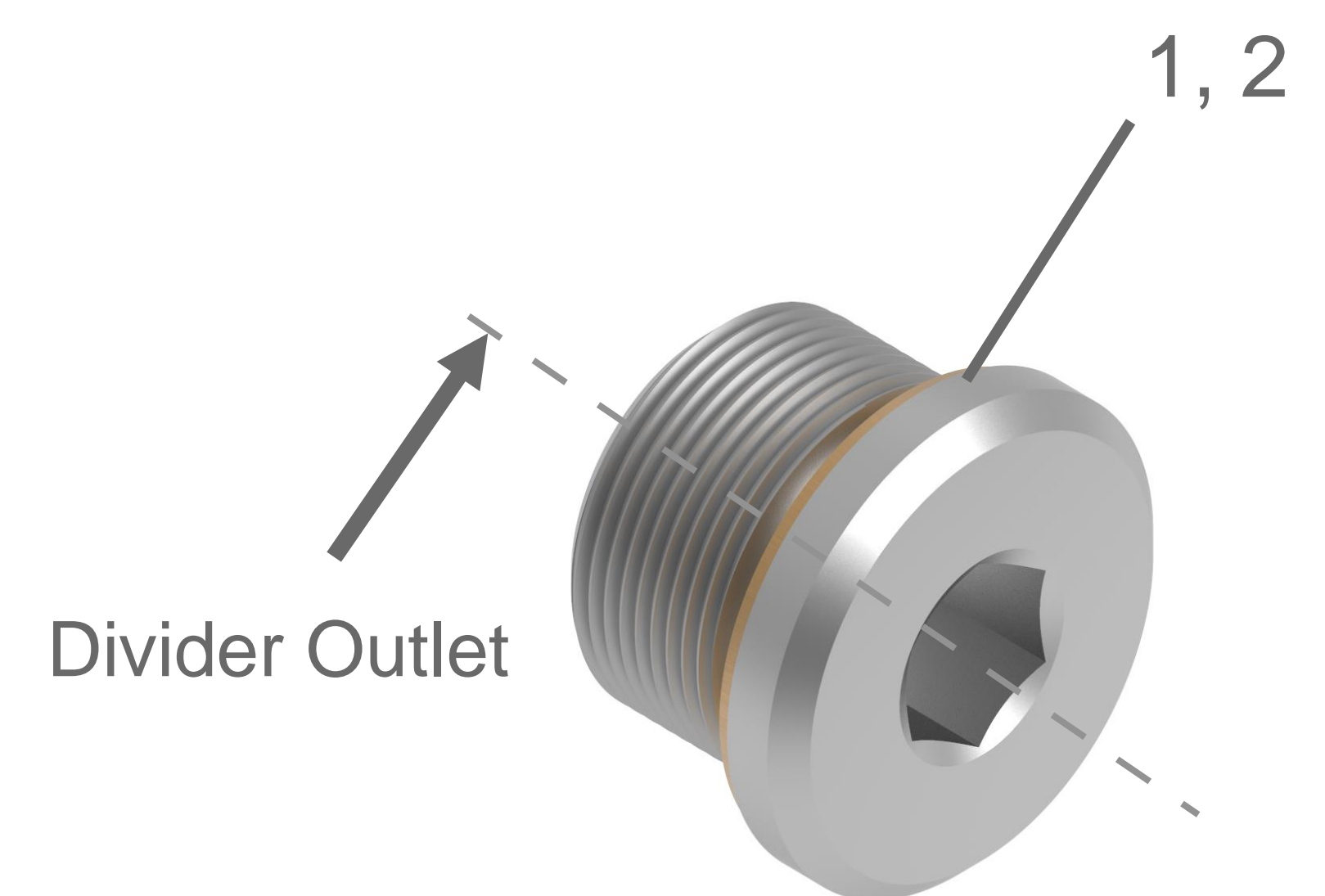
The function of the blind plug of the JPQ divider outlet is to achieve a double flow rate by direct blinding one of the 2 sides on a same middle or end element.

To achieve this function, before the blinding, the sealing screw and sealing screw ball of the element must be taken out in advance, otherwise the divider will be blocked.

*\* More details regarding the working principle please check on page xx.*

BP

Description	Part No.
BP M10	3010401940
CR 10-14x1	3010401930



- 1- Blind Plug
- 2- Copper Ring

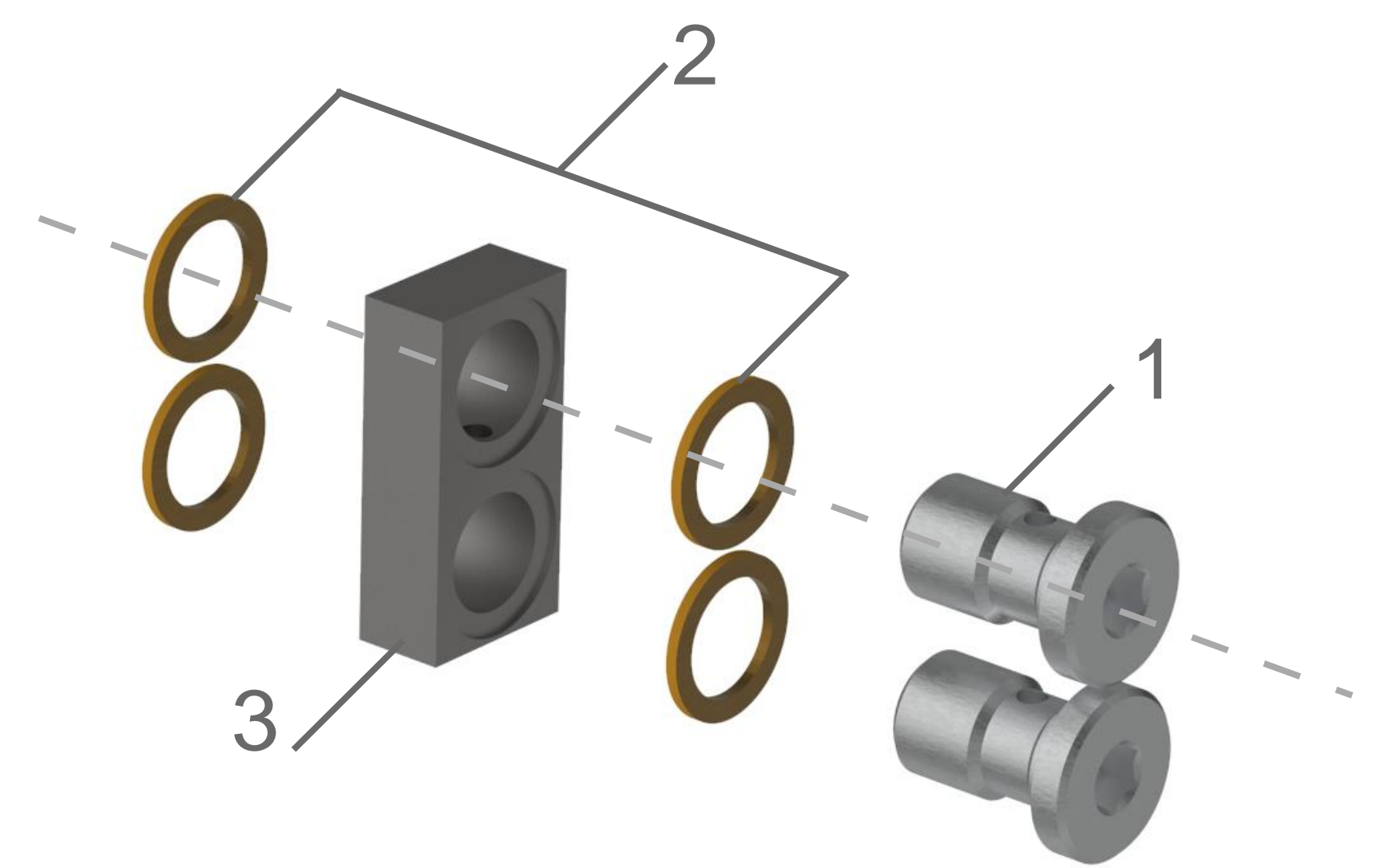
## Bridge with / without Outlet

The function of the bridge with or without outlet of the JPQ divider is to achieve a combined flow rate by external blinding the outlets on the same side of 2 adjacent elements.

The sealing screw and sealing ball of the element can be taken out or kept depends on the configuration.

### OB-0

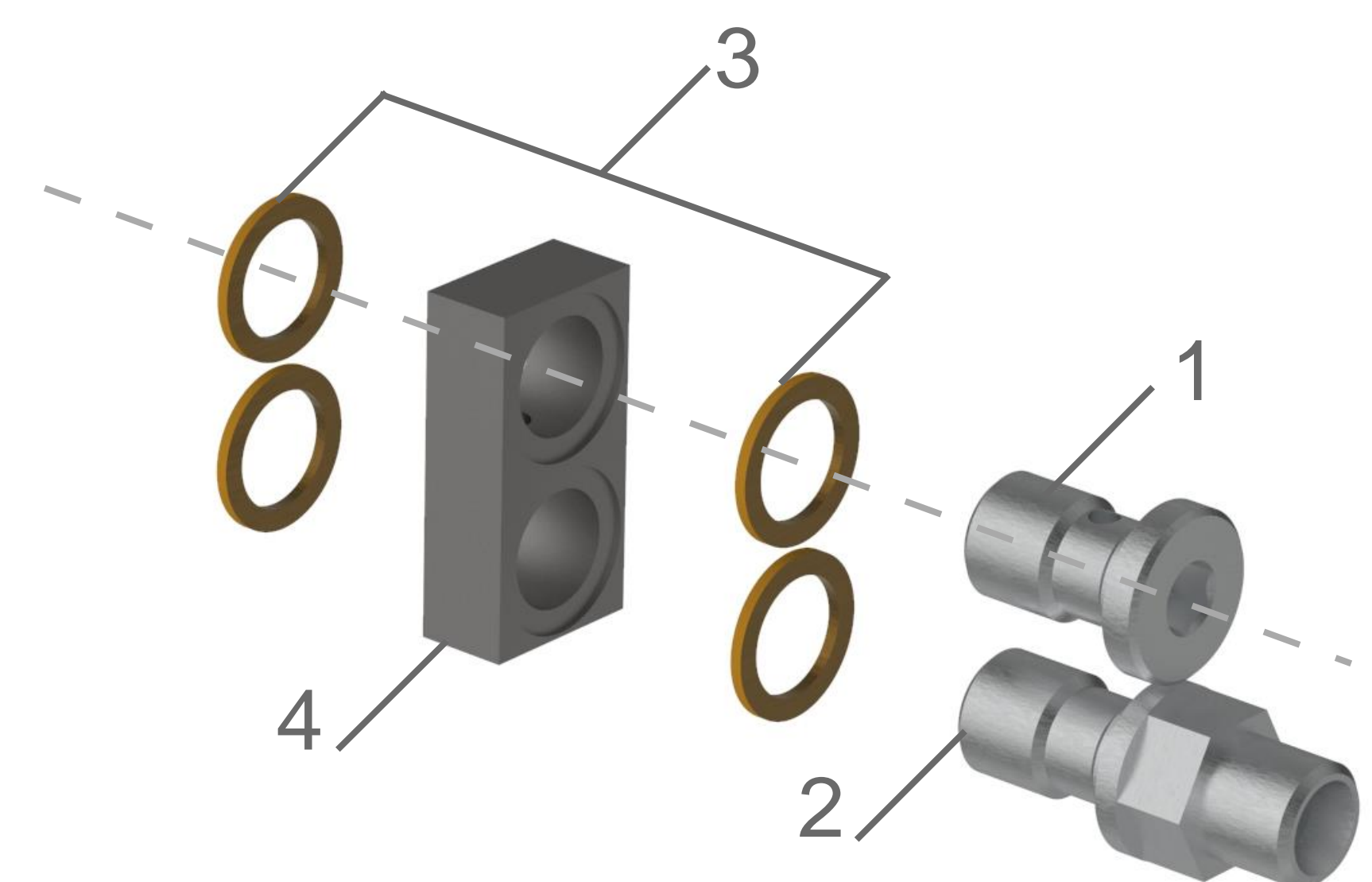
Description	Part No.
OB-0	2090110380
Spare Parts	
	Qty. per Set
BBP	2 3010402080
BB	1 3010402070
CR 10-14x1	4 3010401930



- 1- BBP - Bridge Blind Plug
- 2- CR - Copper Ring
- 3- BB - Bridge Block

### OB-1

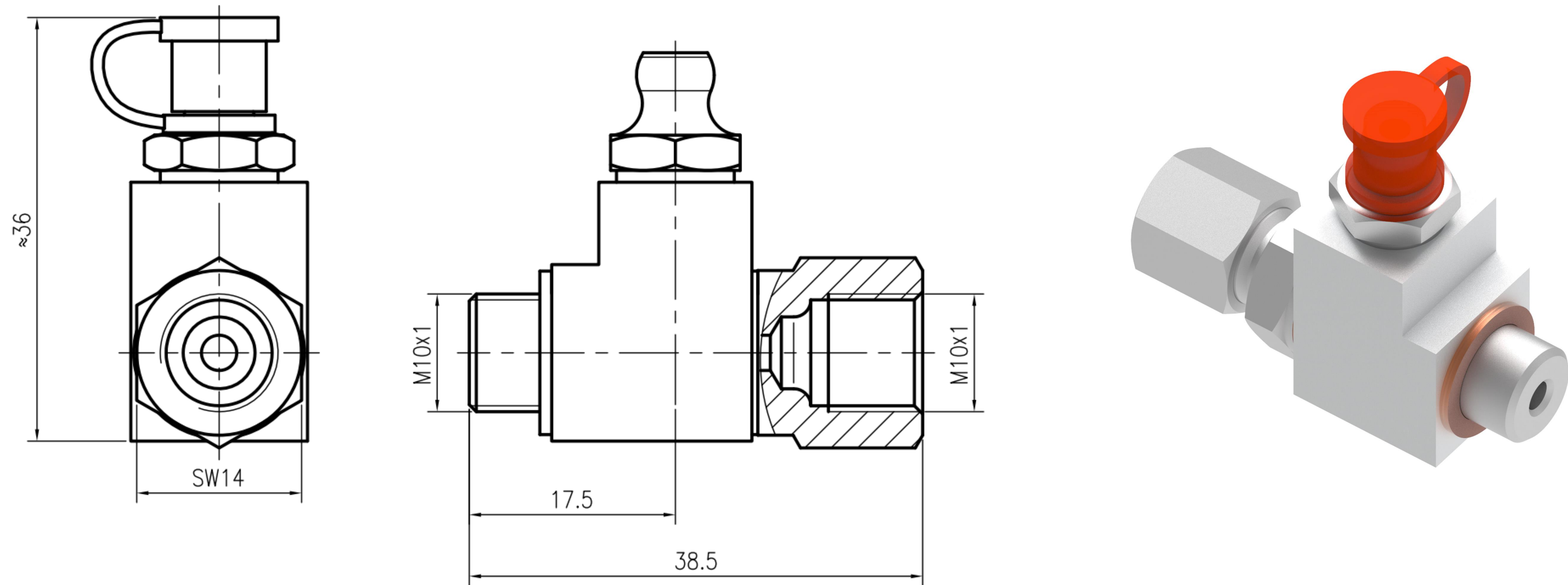
Description	Part No.
OB-1	2090100160
Spare Parts	
	Qty. per Set
BBP	1 3010402080
BO*	1 3010402580
BB	1 3010402070
CR 10-14x1	4 3010401930



- 1- BBP - Bridge Blind Plug
- 2- BO - Bridge Outlet
- 3- CR - Copper Ring
- 4- BB - Bridge Block

\* BO is with non return valve.

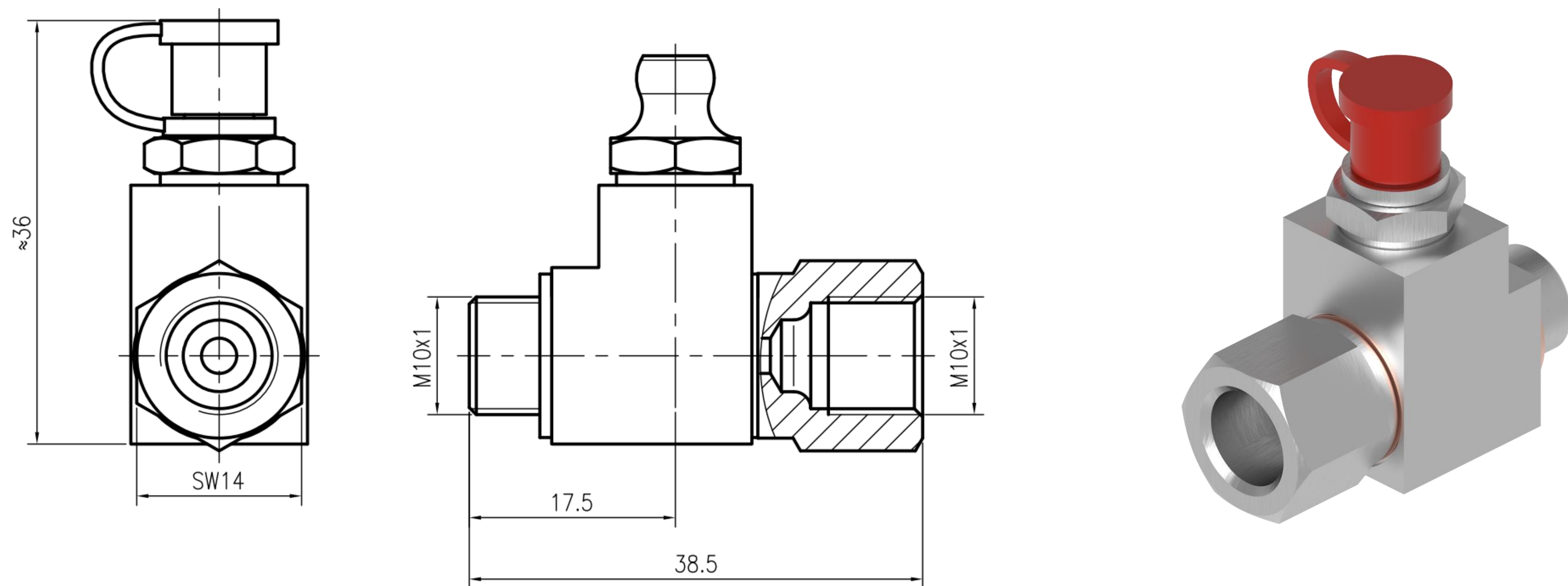
## Banjo with Grease Nipple / Banjo mit Schmierstelle



Part No.	Description	D1	G	L1	L2	SW1	Material
2020520530	BJGN M10D6	6	M10x1	17,5	45,2	14	Steel Zinc Nickel + Plastic Cap
2020520540	BJGN M10D8	8	M10x1	17,5	48,5	17	Steel Zinc Nickel + Plastic Cap

\* This Banjo with Grease Nipple can be used as the inlet or the outlet of the divider.

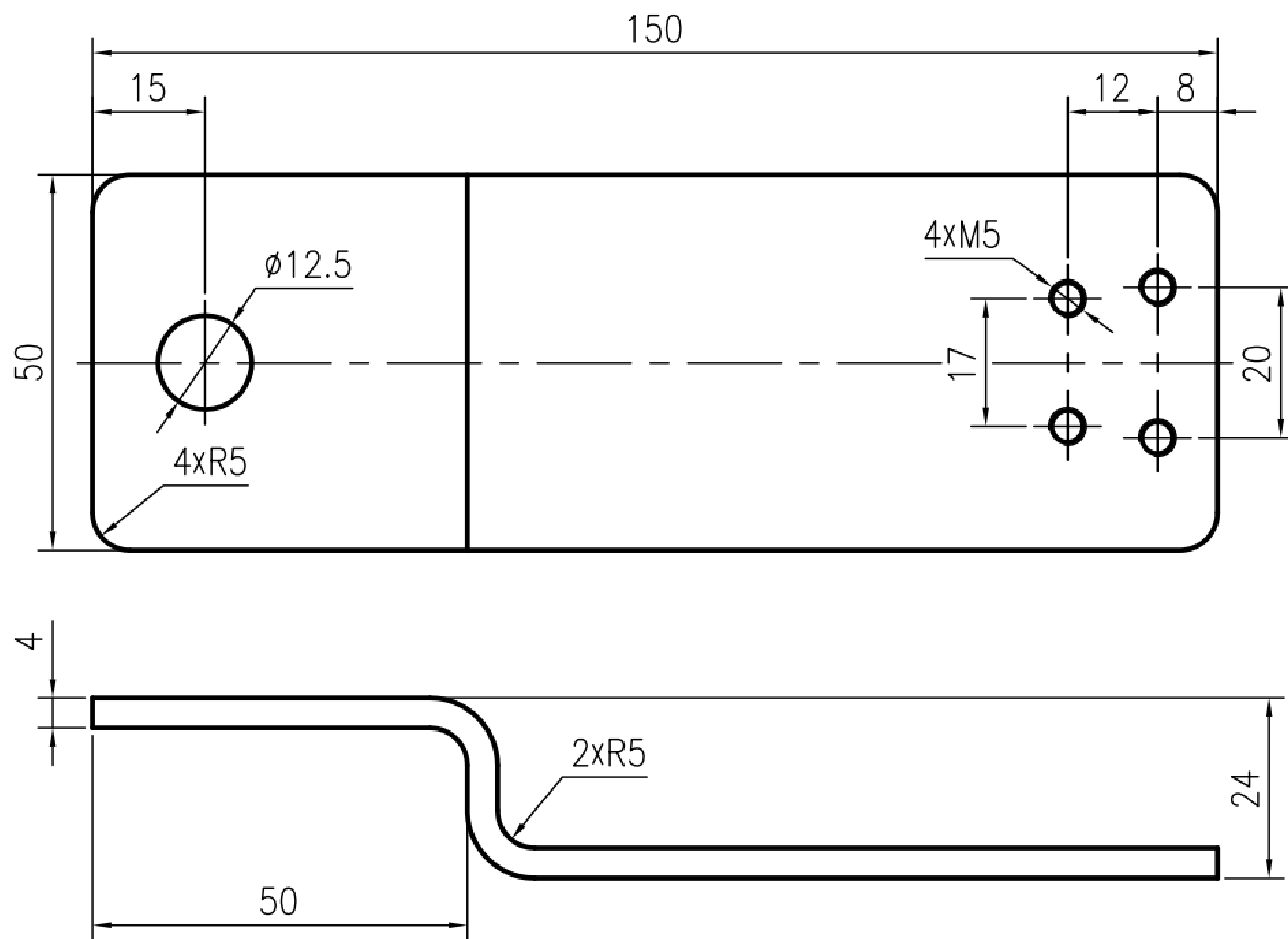
## Banjo with Grease Nipple / Banjo mit Schmierstelle



Part No.	Description	G1	G2	L1	L2	SW1	Material
3050105240	BJGN M10M10	M10x1	M10x1	17,5	38,5	14	Steel Zinc Nickel + Plastic Cap

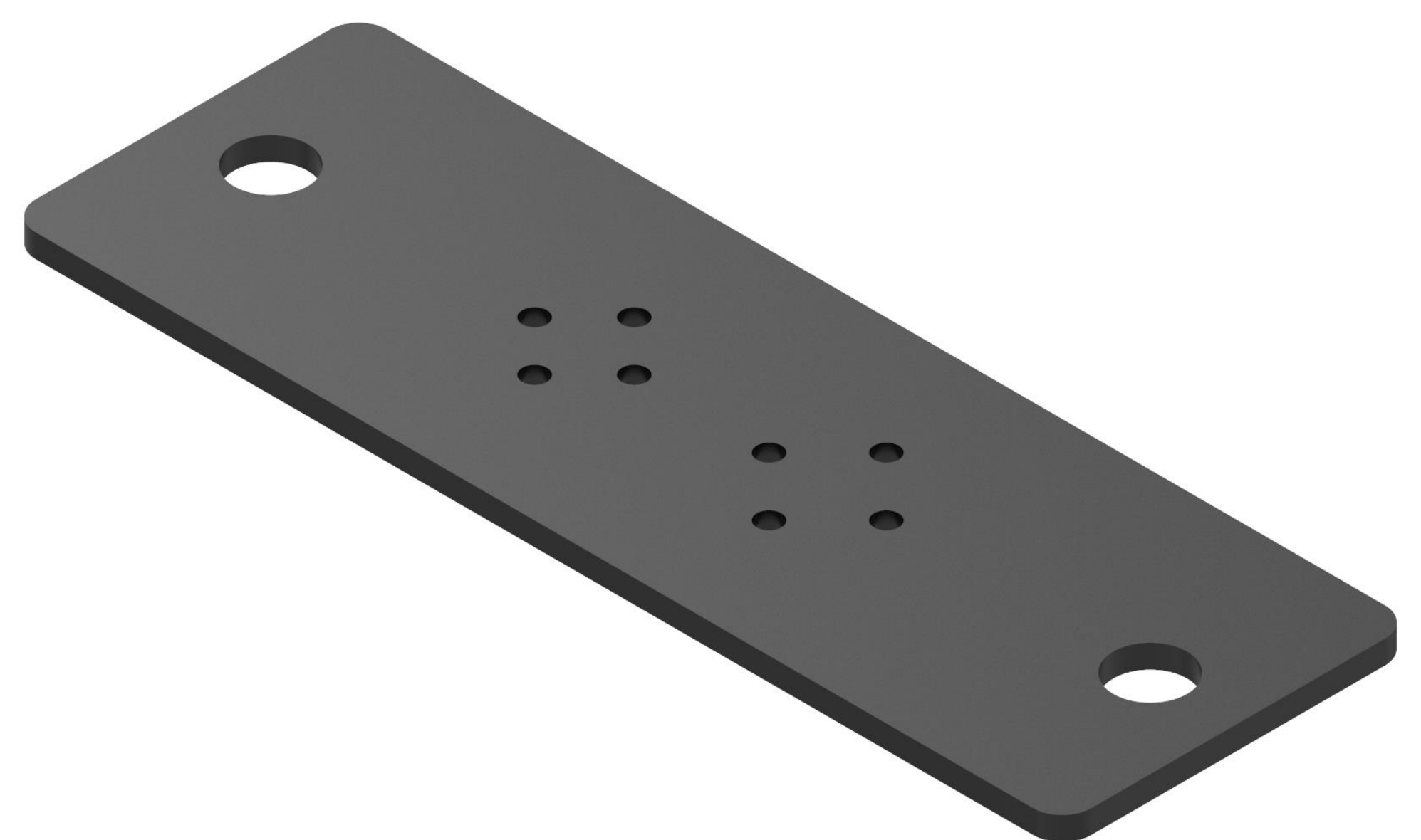
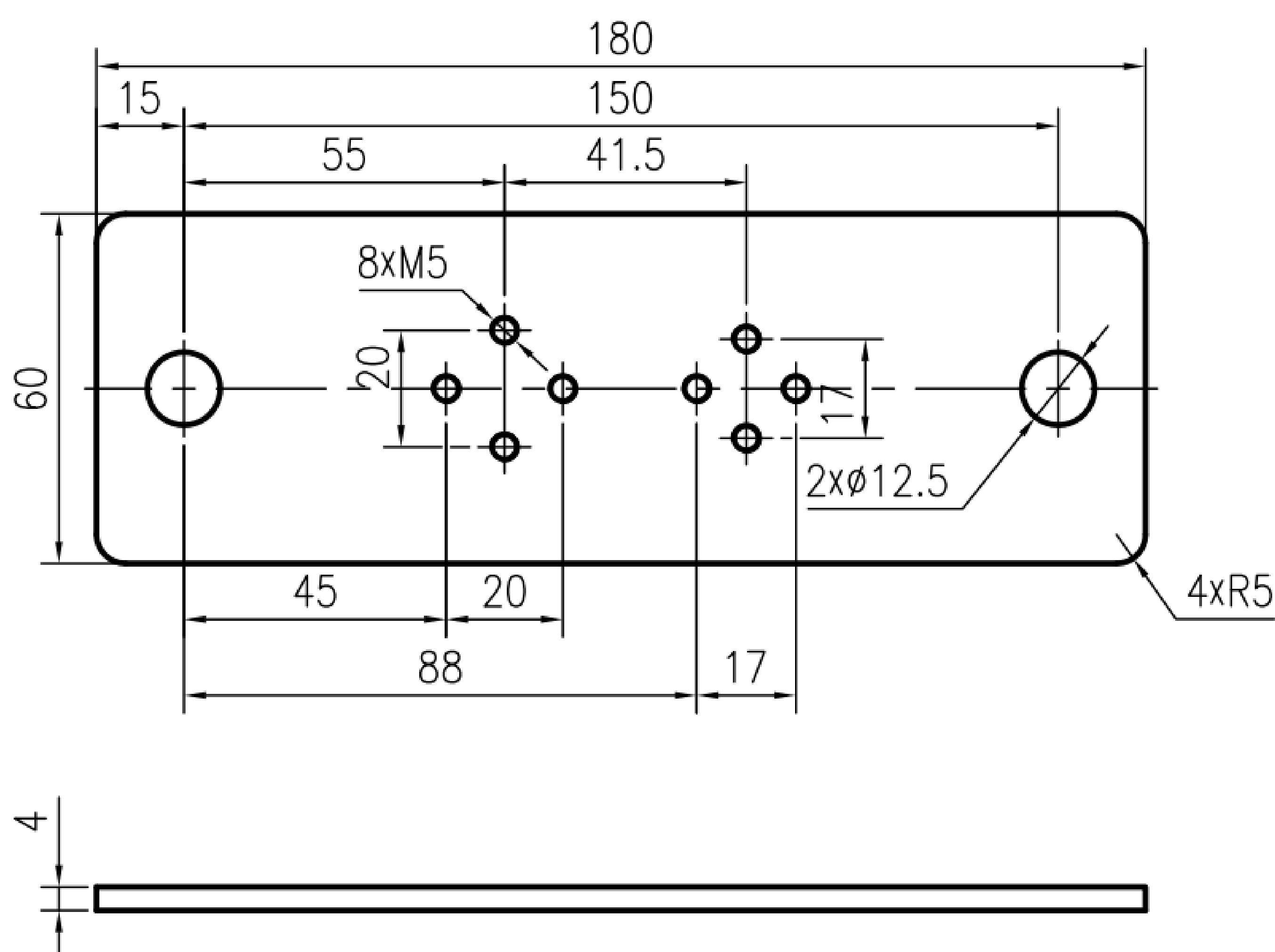
\* This Banjo with Grease Nipple can be used as the outlet of the divider for double cone fittings..

## Divider Mounting Bracket A



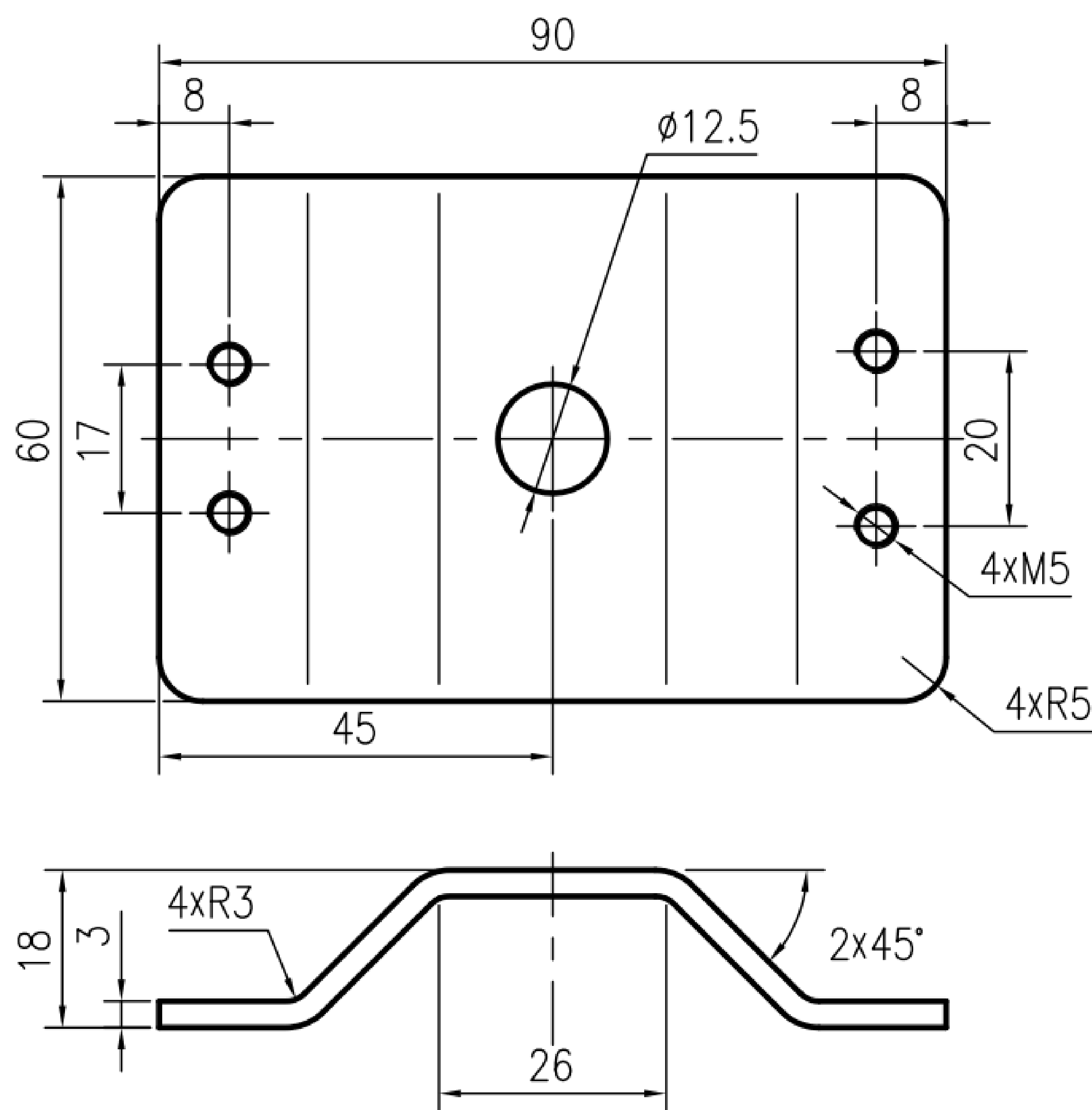
Part No.	Description	Fit for	Material
3010107870	DMB - A	JPQ Divider 6-18 Outlets	Steel, Light Black

## Divider Mounting Bracket B



Part No.	Description	Fit for	Material
3010107860	DMB - B	JPQ Divider 6-18 Outlets	Steel, Light Black

## Divider Mounting Bracket C

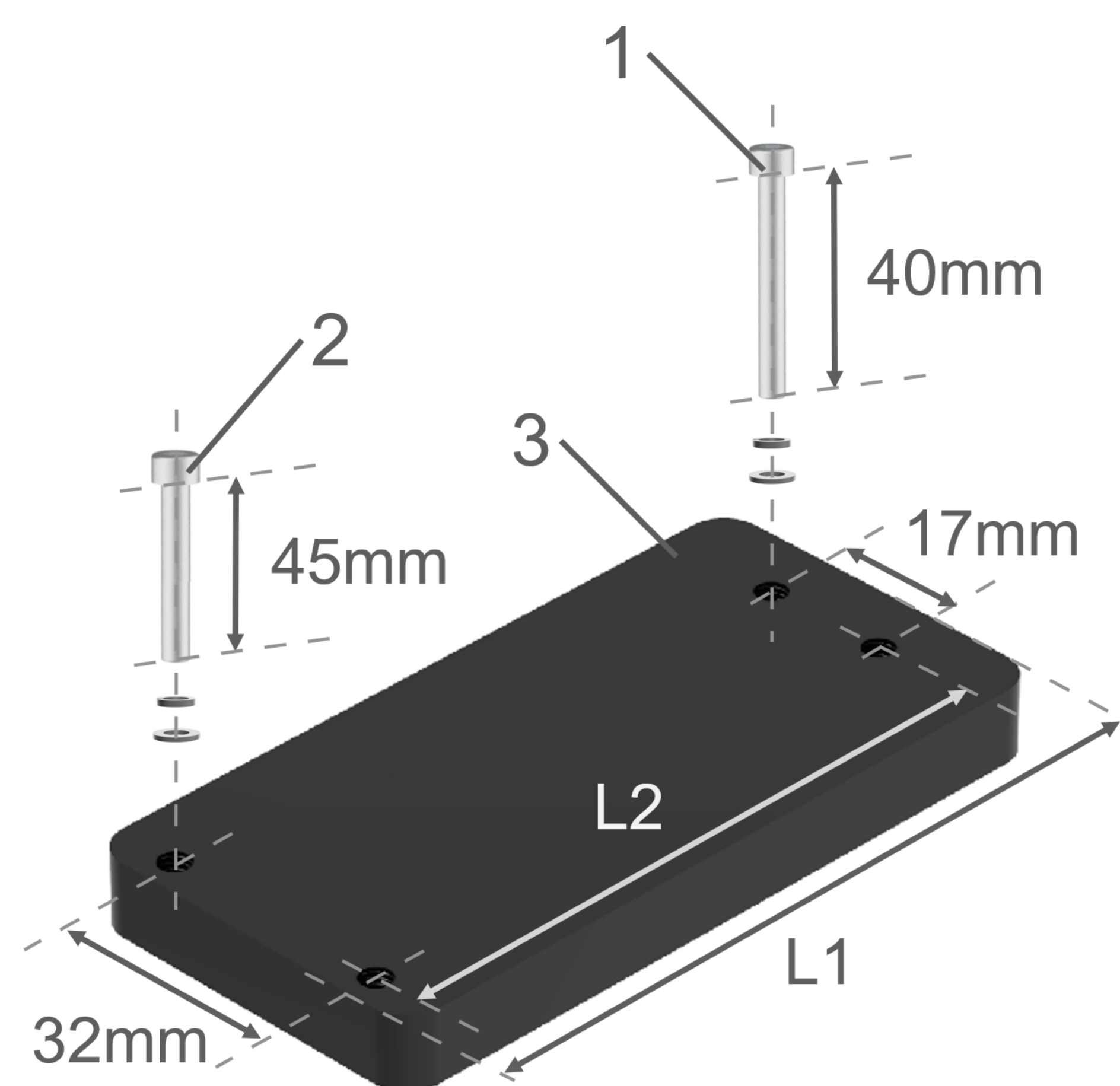


Part No.	Description	Fit for	Material
3010107850	DMB - C	JPQ Divider 6-18 Outlets	Steel, Light Black

## Divider Mounting Bracket D

Part No.	Description	Fit for	L1	L2
3010404240	DMB – D6	JPQ Divider 6	75,0	59,0
3010404250	DMB – D8	JPQ Divider 8	90,0	73,8
3010404260	DMB – D10	JPQ Divider 10	104,0	88,5
3010404270	DMB – D12	JPQ Divider 12	119,0	103,3
3010404280	DMB – D14	JPQ Divider 14	136,0	118,0
3010404290	DMB – D16	JPQ Divider 16	149,0	132,8
3010404300	DMB – D18	JPQ Divider 18	164,0	147,5

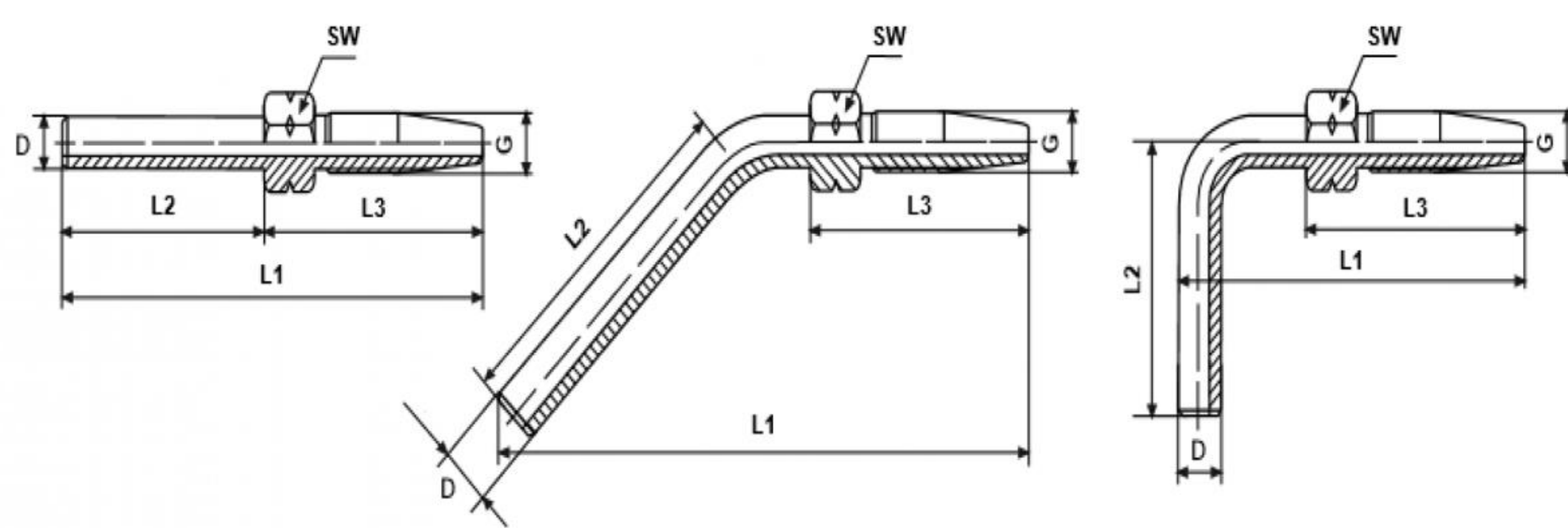
Material of Bracket: Steel Steel, Light Black



Part No.	Length (mm)	Quantity need	Set - Screw, Spring and Flat Washer
3040103830	40.0	2	On Top
3040105160	45.0	0 or 1	On Bottom



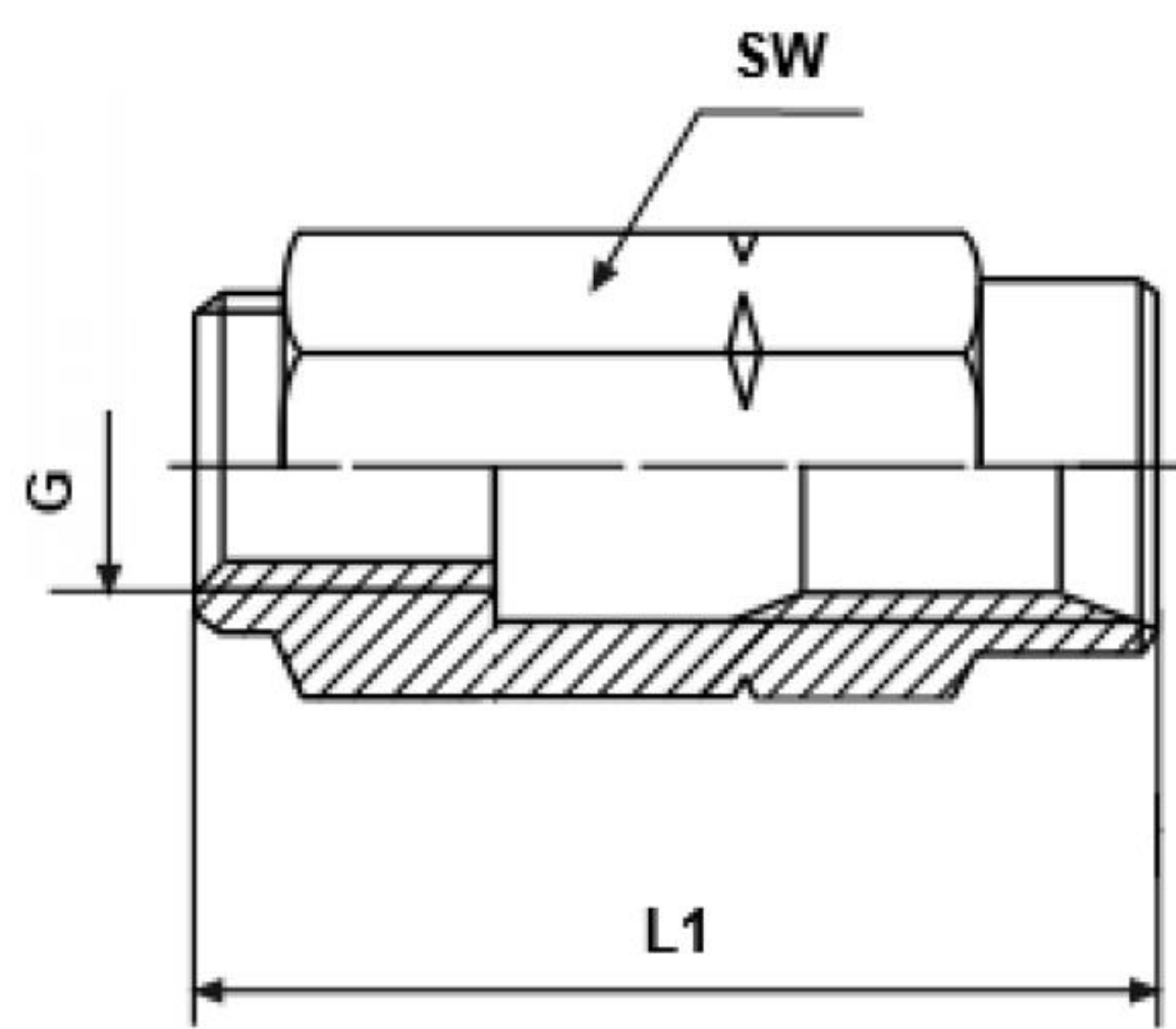
## Hose Studs / Rohrstutzen



Part No.	Description LB	D	G	SW1	L1	L2	L3
9900062	RS-ZN D0 M7D6L30-Y	6	M7X0,75	10	61,00	30,00	31,00
9900063	RS-ZN D0 M7D6L18-Y	6	M7x0,75	10	49,00	18,00	31,00
9900064	RS-ZN D0 M7D6L20-Y	6	M7x0,75	10	51,00	20,00	31,00
9900065	RS-ZN D0 M7D6L24-Y	6	M7x0,75	10	55,00	24,00	31,00
9900067	RS-ZP D0 M7D8L30-Y	8	M7x0,75	10	61,00	30,00	31,00
9900068	RS-ZN D0 M7D6L24-Y1	6	M7x0,75	10	55,00	24,00	31,00
9900069	RS-ZN D0 M7D6L30-Y1	6	M7x0,75	10	61,00	30,00	31,00
9900071	RS-ZN D0 M9D8L22-Y	8	M9X1	12	67,50	22,00	46,00
9900074	RS-ZN D45 M7D6L25-Y	6	M7X0,75	10	66,00	25,00	31,00
9900076	RS-ZN D45 M7D6L39-Y	6	M7X0,75	10	78,00	39,00	31,00
9900077	RS-ZN D45 M7D6L39-Y1	6	M7X0,75	10	78,00	39,00	31,00
9900078	RS-ZN D45 M7D8L57-Y	8	M9X1	12	100,00	57,00	45,00
9900081	RS-ZN D90 M7D6L21-Y	6	M7X0,75	10	48,00	20,70	31,00
9900082	RS-ZN D90 M7D6L53-Y	6	M7X0,75	10	57,00	53,00	31,00
9900083	RS-ZN D90 M7D6L55-Y	6	M7X0,75	10	60,00	55,00	31,00
9900084	RS-ZN D90 M7D6L32-Y	6	M7X0,75	10	49,00	32,70	31,00
9900085	RS-ZN D90 M7D6L55-Y	6	M7X0,75	10	60,00	55,00	31,00
9900086	RS-ZN D90 M7D6L21-Y1	6	M7X0,75	10	48,00	20,70	31,00
9900087	RS-ZN D90 M7D6L55-Y1	6	M7X0,75	10	60,00	55,00	31,00
9900088	RS-ZN D90 M9D6L55-Y	6	M9X1	12	70,00	55,00	45,00
9900089	RS-ZN D90 M9D8L60-Y	8	M9X1	12	70,00	60,00	45,00
9900090	RS-ZN D90 M9D8L40-Y	8	M9X1	12	70,00	40,00	45,00
9900092	RS-SS D0 M7D6L30-Y	6	M7X0,75	10	60,00	30,00	31,00
9900093	RS-SS D0 M7D6L30-Y1	6	M7X0,75	10	60,00	30,00	31,00
9900094	RS-SS D0 M9D6L22-Y	6	M9X1	12	65,00	22,00	45,00
9900095	RS-SS D0 M9D8L22-Y	8	M9X1	12	65,00	22,00	45,00
9900097	RS-SS D45 M7D6L30-Y	6	M7X0,75	10	65,00	30,00	31,00
9900098	RS-SS D90 M7D6L30-Y	6	M7X0,75	10	50,00	30,00	31,00
9900099	RS-SS D90 M7D6L40-Y	6	M7X0,75	10	62,00	40,00	31,00

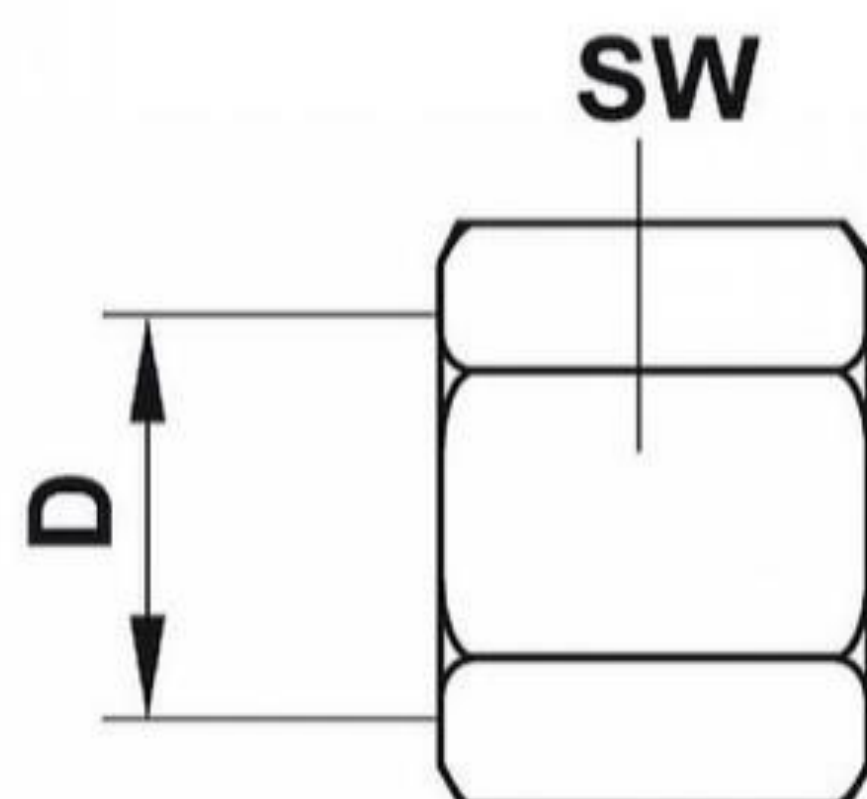
Material: **RS-ZN**: Steel Zinc-Nickel, **RS-ZP**: Steel Zinc plated, **RS-SS**: Stainless Steel

## Hose Sleeves / Schraubhülse



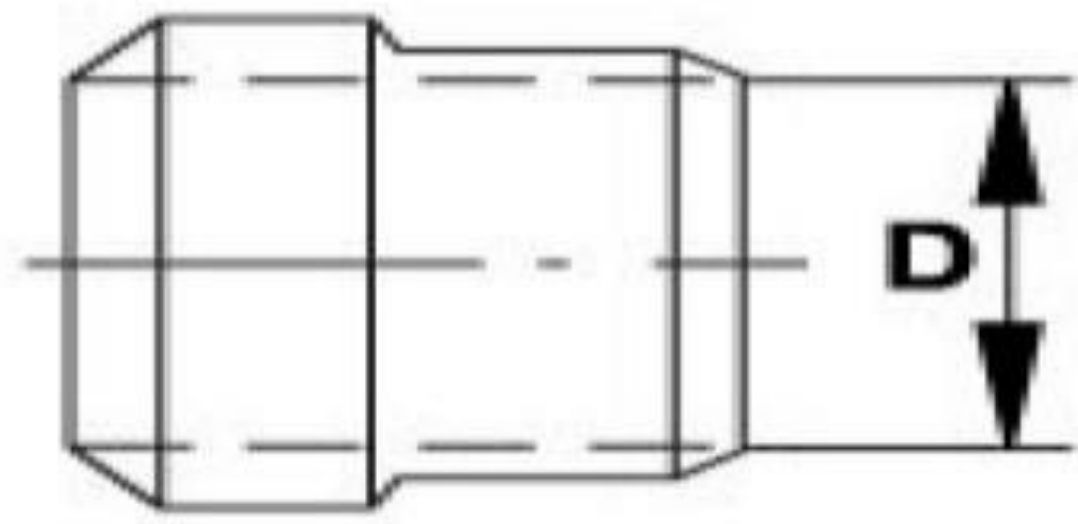
Artikel Nr.	Beschreibung LB	G	SW1	L1	Serie	Material
9900100	SH-ZN M7D6L28	M7X0,75	12	28	L	Steel Zinc-Nickel
9900101	SH-ZF M7D6L28	M7X0,75	12	28	L	Steel Zinc-Ferrite
9900102	SH-SS M7D6L28	M7X0,75	12	28	L	Stainless Steel
9900103	SH-ZN M9D8L36	M9X1	17	36	L	Steel Zinc-Nickel
9900104	SH-SS M9D8L36	M9X1	17	36	L	Stainless Steel

## Überwurfmutter



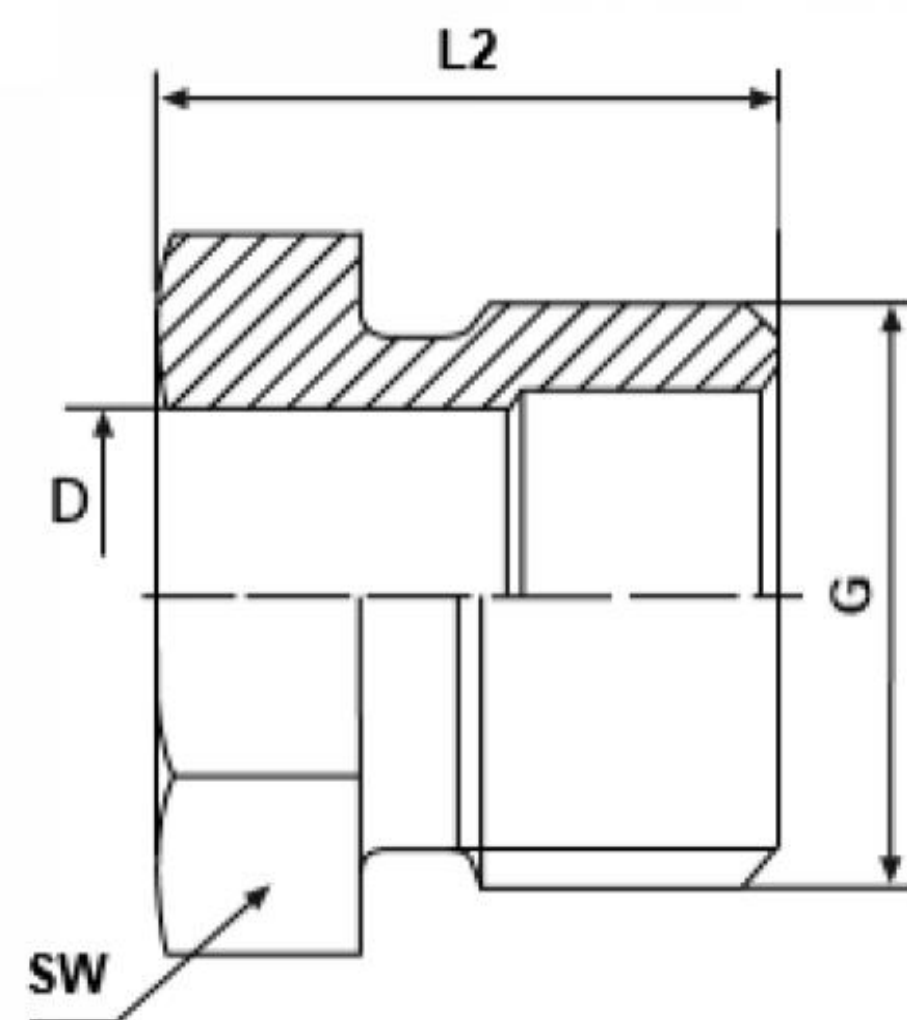
Part No.	Description LB	D1	M	H	SW	Series	Material
9900199	U-ZN D6	6	M10x1	11,50	12	LL	Zinc-Nickel
9900200	U-ZN D6-L	6	M12x1,5	14,50	14	L	Zinc-Nickel
9900201	U-ZF D6-S	6	M14x1,5	16,50	17	S	Zinc-Ferrite
9900202	U-ZN D8	8	M12x1	12,00	14	LL	Zinc-Nickel
9900203	U-ZN D8-L	8	M14x1,5	14,50	17	L	Zinc-Nickel
9900204	U-ZF D8-S	8	M16x1,5	16,50	19	S	Zinc-Ferrite
9900205	U-SS D6-L	6	M12x1,5	14,50	14	L	Stainless steel
9900206	U-SS D8-L	8	M14x1,5	14,50	17	L	Stainless steel

## Coupling or Connector Cutting Rings / Schneidringe (DIN 3861)



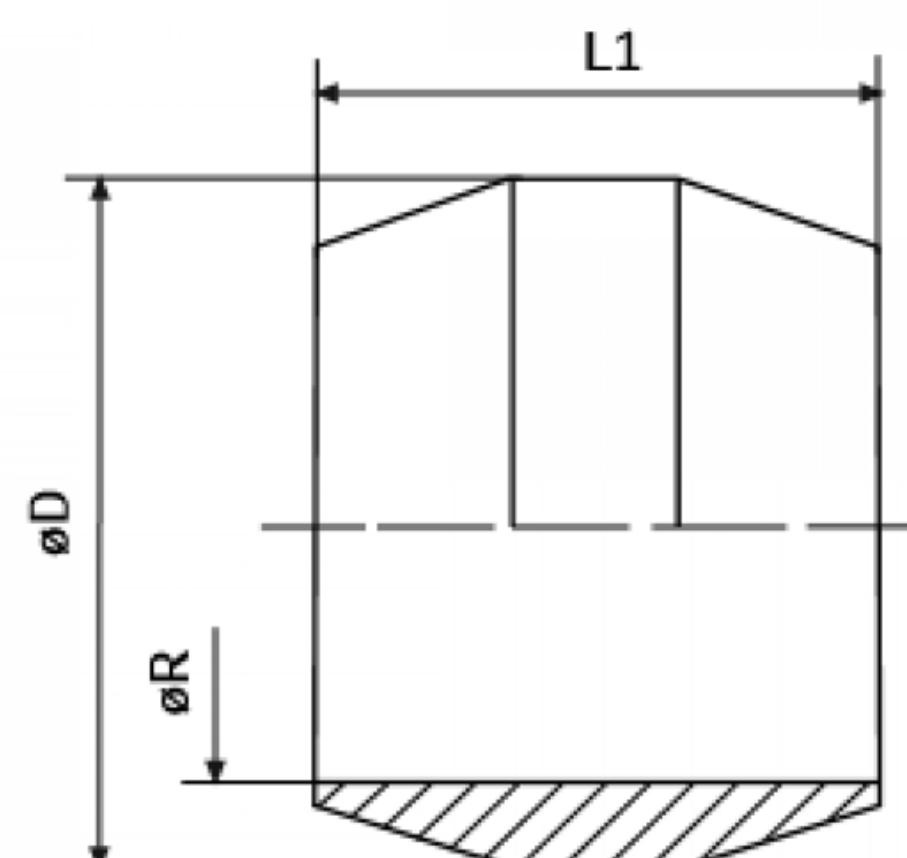
Part No.	Description	D1	L	Series	Material
9900209	SR-ZN D6	6	7,00	LL	Zinc-Nickel
9900210	SR-ZN D6-L/S	6	9,50	L/S	Zinc-Nickel
9900211	SR-ZN D8	8	7,00	LL	Zinc-Nickel
9900212	SR-ZF D8-L/S	8	9,50	L/S	Zinc-Ferrite
9900216	SR-SS D6	6	7,00	LL	Stainless steel
9900217	SR-SS D6	8	7,00	LL	Stainless steel

## Socket Unions for Double Cone Drive / Überwurfschrauben für Doppelkegelring



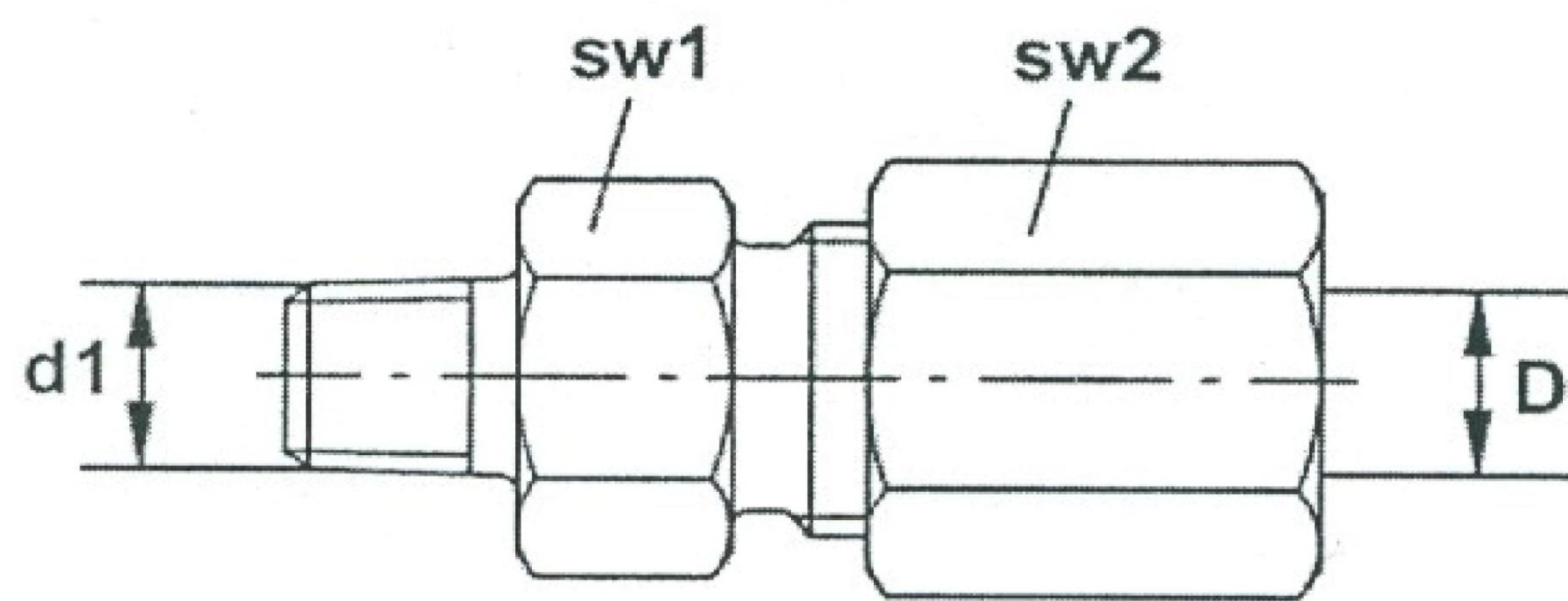
Part No.	Description	G	D	SW	L1	Material
9900223	UDK-ZN M10D6	M10X1	6	10	14	Zinc Nickel

## Double Cone Drives / Doppelkegelringe



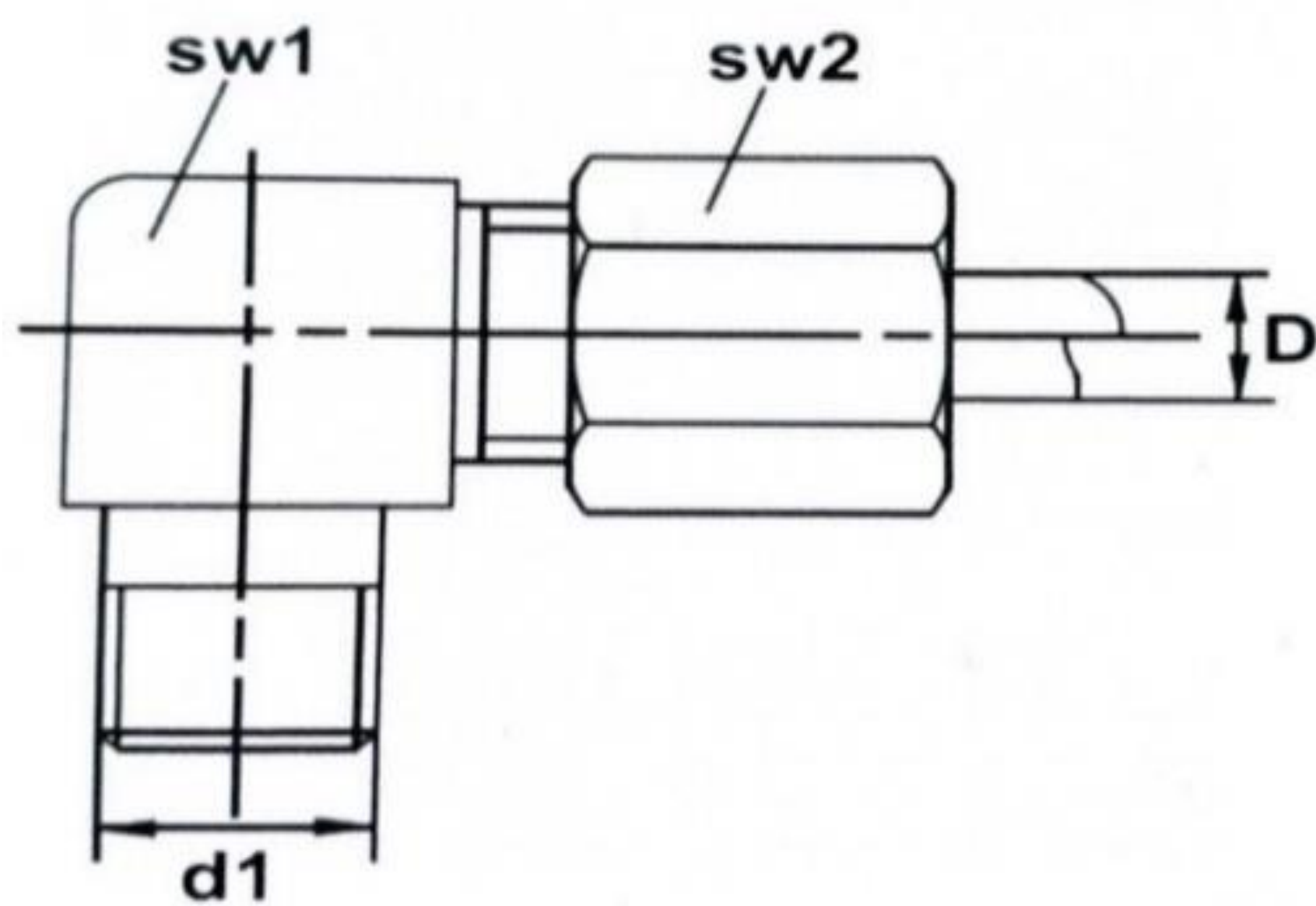
Part No.	Description	D	d1	L1	Series	Material
9900226	DK-MS D6	8	6	6,5	LL	Messing

## Straight Screw Couplings / Gerade Einschraubverschraubungen



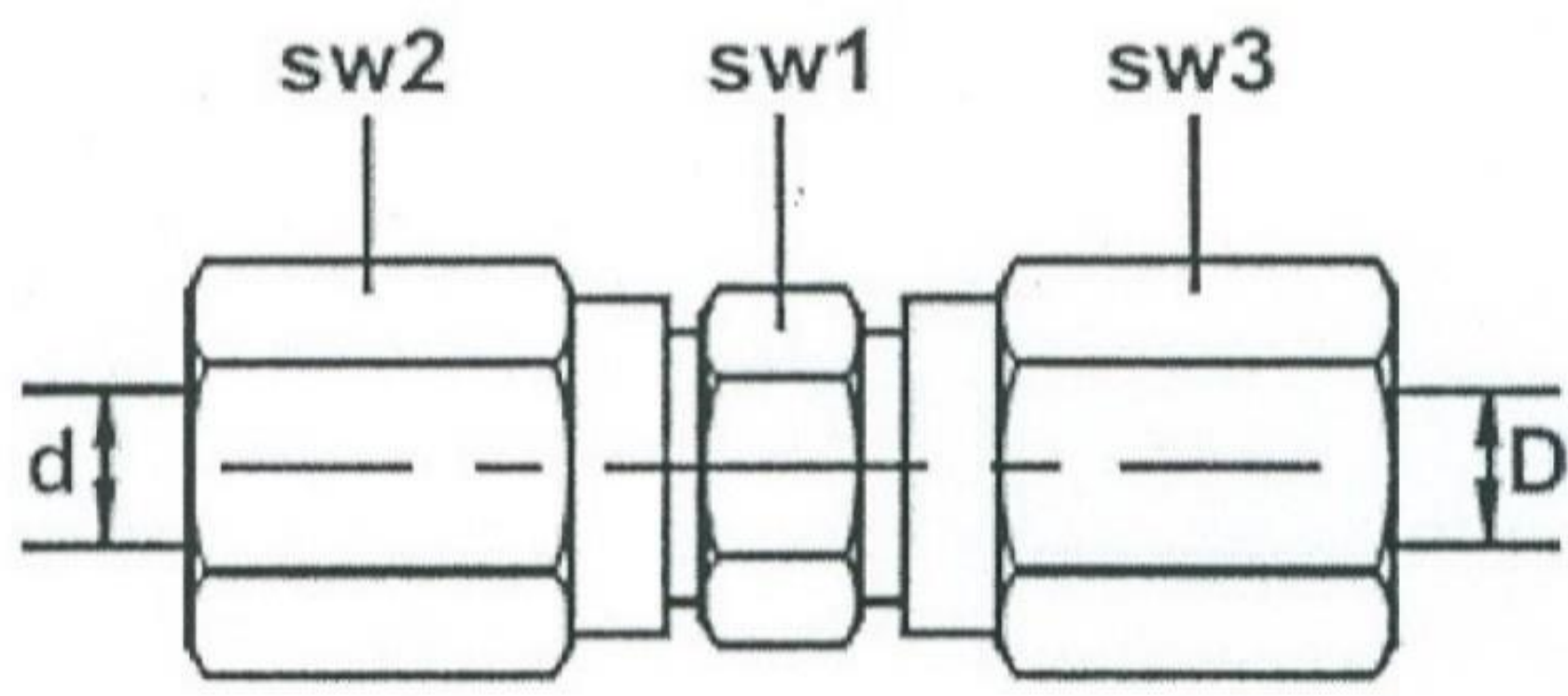
Part No.	Description	D	d1	SW1	SW2	Series	Material
9900109	GE-ZN M6KD6	6	M6x1k	11	12	LL	Zinc-Nickel
9900110	GE-ZN M8KD6	6	M8x1k	11	12	LL	Zinc-Nickel
9900111	GE-ZN M10KD6	6	M10x1k	11	12	LL	Zinc-Nickel
9900112	GE-ZN M10KD8	8	M10x1k	12	14	LL	Zinc-Nickel
9900114	GE-ZN M8x1.25KD6	6	M8x1,25k	11	12	LL	Zinc-Nickel
9900118	GE-ZN R8KD6	6	R1/8k	11	12	LL	Zinc-Nickel
9900119	GE-ZN R8D8	8	R1/8	12	14	LL	Zinc-Nickel
9900120	GE-ZN R4KD8	8	R1/4k	12	14	LL	Zinc-Nickel
9900121	GE-ZN R8CYLD6	6	R1/8	14	12	LL	Zinc-Nickel
9900126	GE-SS M6KD6	6	M6x1k	11	12	LL	Stainless steel
9900127	GE-SS M8KD6	6	M8x1k	11	12	LL	Stainless steel
9900128	GE-SS M10KD6	6	M10x1k	11	12	LL	Stainless steel
9900129	GE-SS M6D8	8	M6x1	12	14	LL	Stainless steel
9900130	GE-SS M8D8	8	M8x1	12	14	LL	Stainless steel
9900131	GE-SS M10KD8	8	M10x1k	12	14	LL	Stainless steel
9900133	GE-SS M8x1.25D6	6	M8x1,25	11	12	LL	Stainless steel
9900134	GE-SS M10CYLD6	6	M10x1	11	12	LL	Stainless steel
9900136	GE-SS R8KD6	6	R1/8k	11	12	LL	Stainless steel
9900137	GE-SS R8D8	8	R1/8	12	14	LL	Stainless steel
9900138	GE-SS R4D8	8	R1/4	12	14	LL	Stainless steel
9900140	GE-SS R8CYLD6	6	R1/8	11	12	LL	Stainless steel
9900141	GE-SS R8KCYLD8	8	R1/8k	12	14	LL	Stainless steel

## Elbow Screw Couplings / Winkeleinschraubverschraubungen



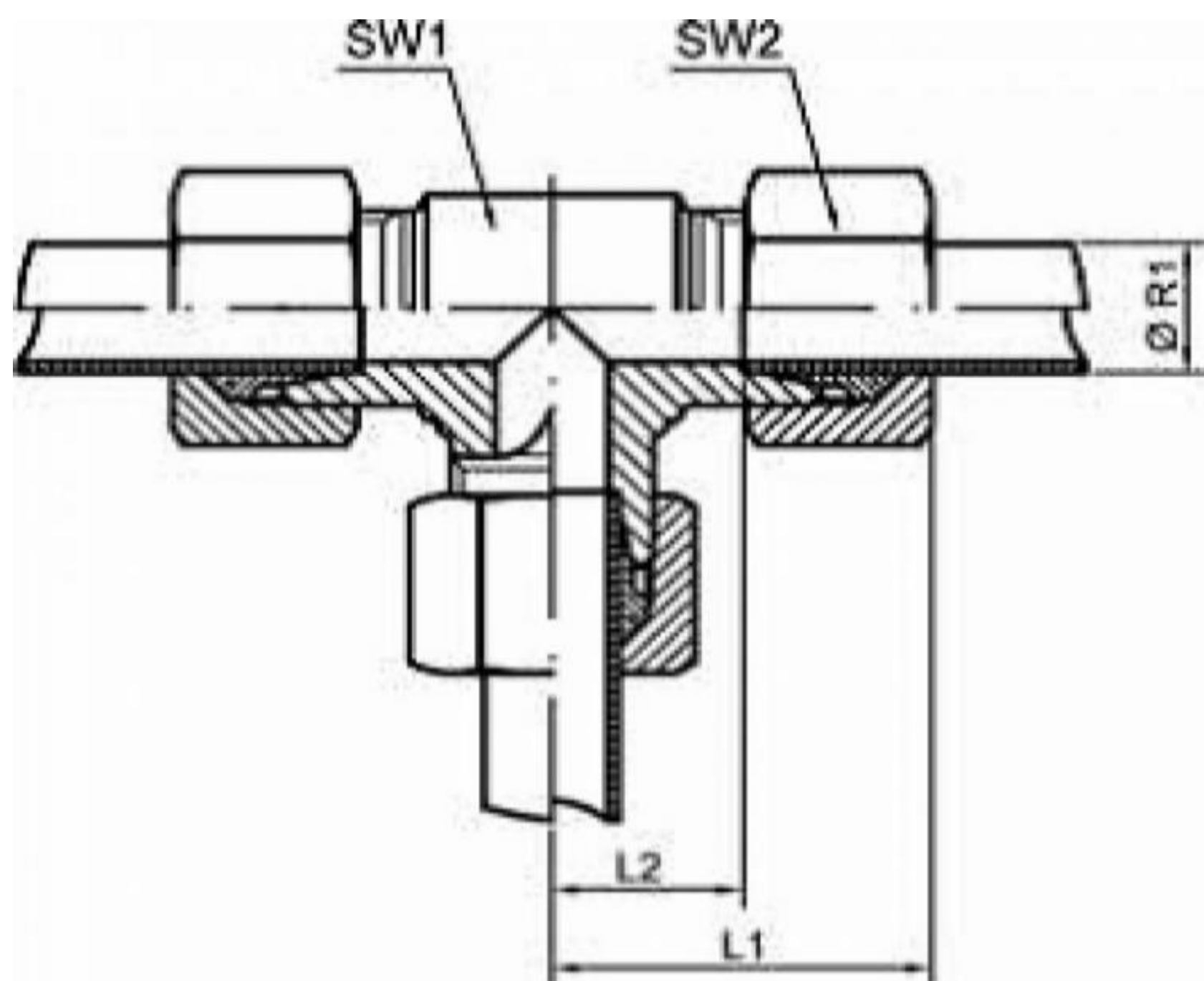
Part No.	Description	D	d1	SW1	SW2	Series	Material
9900145	WE-ZN M6KD6	6	M6x1k	11	12	LL	Zinc-Nickel
9900146	WE-ZN M8KD6	6	M8x1k	11	12	LL	Zinc-Nickel
9900147	WE-ZN M10KD6	6	M10x1k	11	12	LL	Zinc-Nickel
9900148	WE-ZN M10KD6-L	6	M10x1k	12	14	LL	Zinc-Nickel
9900149	WE-ZN M10KD8	8	M10x1k	12	14	LL	Zinc-Nickel
9900151	WE-ZN M8x1.25KD6	6	M8x1,25k	11	12	LL	Zinc-Nickel
9900153	WE-ZN R8KD6	6	R1/8k	11	12	LL	Zinc-Nickel
9900154	WE-ZN R8KD8	8	R1/8k	12	14	LL	Zinc-Nickel
9900158	WE-SS M6KD6	6	M6x1k	11	12	LL	Stainless steel
9900159	WE-SS M8KD6	6	M8x1k	11	12	LL	Stainless steel
9900160	WE-SS M10KD6	6	M10x1k	11	12	LL	Stainless steel
9900161	WE-SS M6KD8	8	M6x1k	12	14	LL	Stainless steel
9900162	WE-SS M8KD8	8	M8x1k	12	14	LL	Stainless steel
9900163	WE-SS M10KD8	8	M10x1k	12	14	LL	Stainless steel
9900165	WE-SS R8KD6	6	R1/8k	11	12	LL	Stainless steel
9900166	WE-SS R8KD8	8	R1/8k	12	14	LL	Stainless steel

## Straight Connectors / Gerade Verschraubungen (DIN 2353)



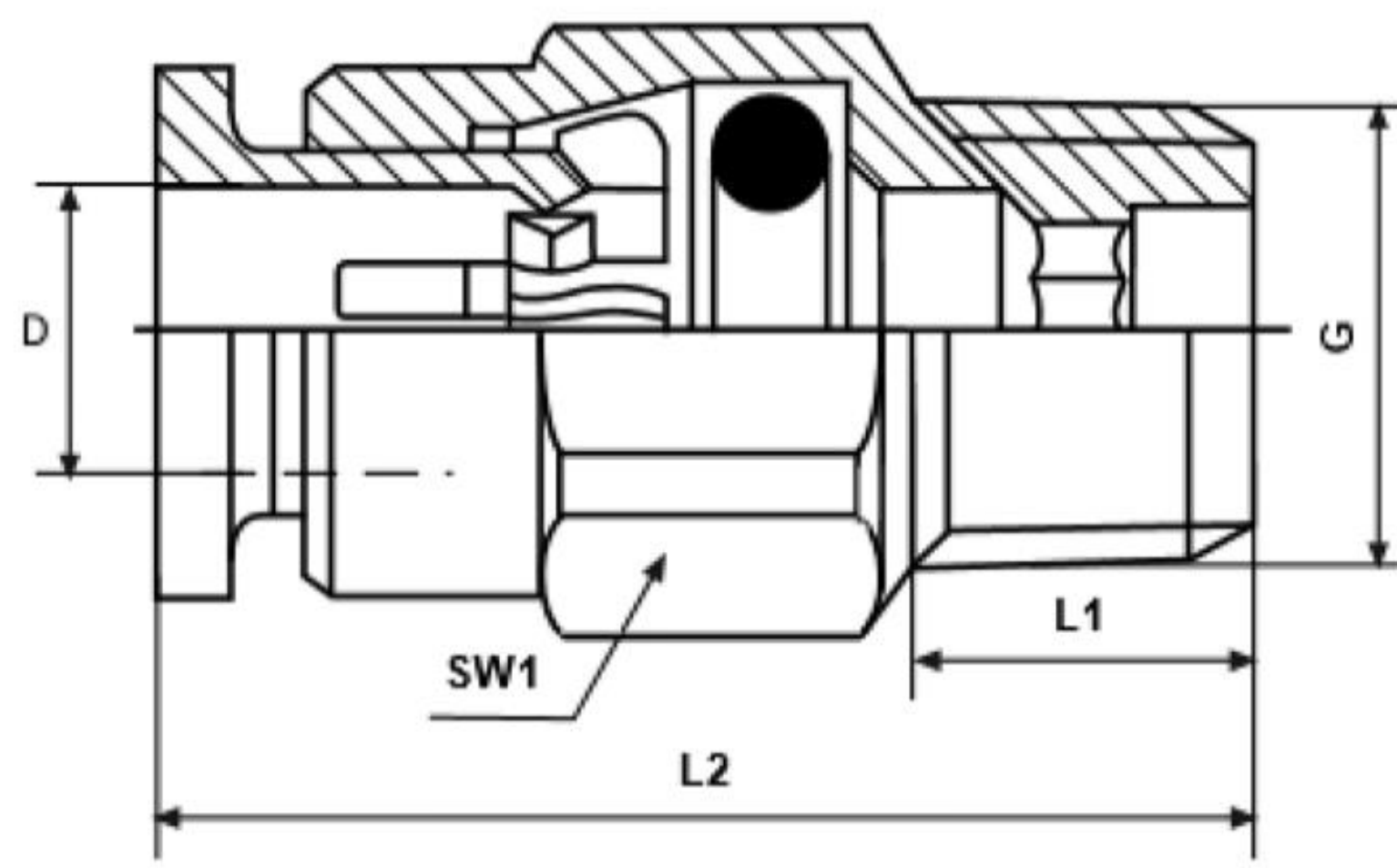
Part No.	Description	d	D1	SW1	SW2	SW3	Series	Material
9900170	GV-ZN D6D6	6	6	12	11	12	LL	Zinc-Nickel
9900174	GV-ZN D8D8	8	8	14	12	14	LL	Zinc-Nickel
9900177	GV-ZN D6D8	8	6	14	12	12	LL	Zinc-Nickel
9900180	GV-SS D6D6	6	6	12	11	12	LL	Stainless steel
9900181	GV-SS D8D8	8	8	17	14	17	LL	Stainless steel

## T Connectors / T – Verschraubungen (DIN 2523)



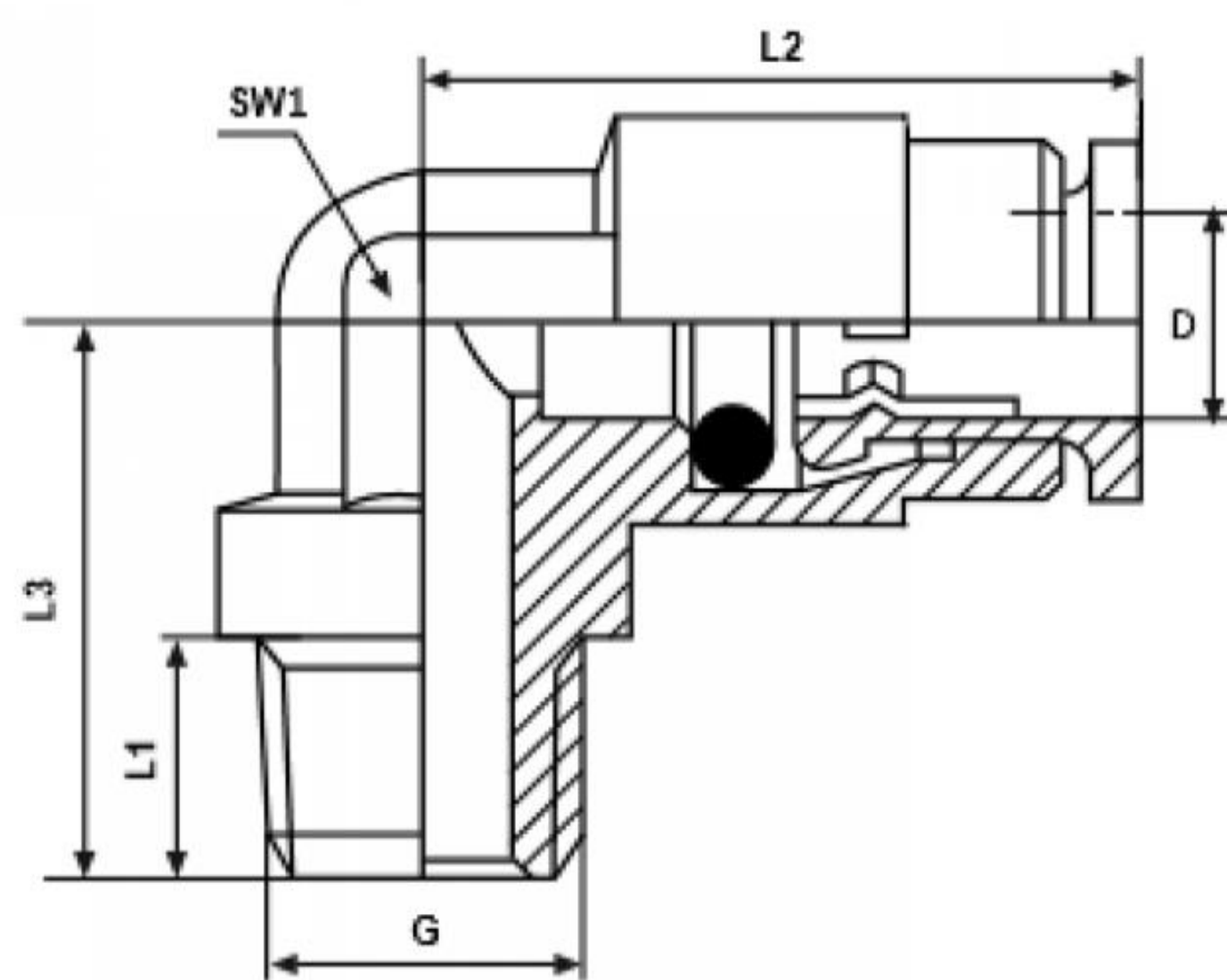
Part No.	Description	D1	SW1	SW2	L1	L2	Series	Material
9900185	TV-ZN D6	6	9	12	21,00	9,50	LL	Zinc-Nickel
9900186	TV-ZN D8	8	12	14	23,00	11,50	LL	Zinc-Nickel
9900189	TV-ZN D6-L	6	12	14	27,00	12,00	L	Zinc-Nickel
9900190	TV-ZN D6-S	6	14	17	31,00	16,00	S	Zinc-Nickel
9900191	TV-ZN D8-L	8	14	17	29,00	14,00	L	Zinc-Nickel
9900194	TV-SS D6	6	9	12	21,00	9,50	LL	Stainless steel
9900195	TV-SS D8	8	12	14	23,00	11,50	LL	Stainless steel
9900196	TV-SS D6-L	6	12	14	27,00	12,00	L	Stainless steel
9900197	TV-SS D8-L	8	14	17	29,00	14,00	L	Stainless steel

## Straight Push-in Quick Couplings / Push-in Gerade Einschraubverschraubungen



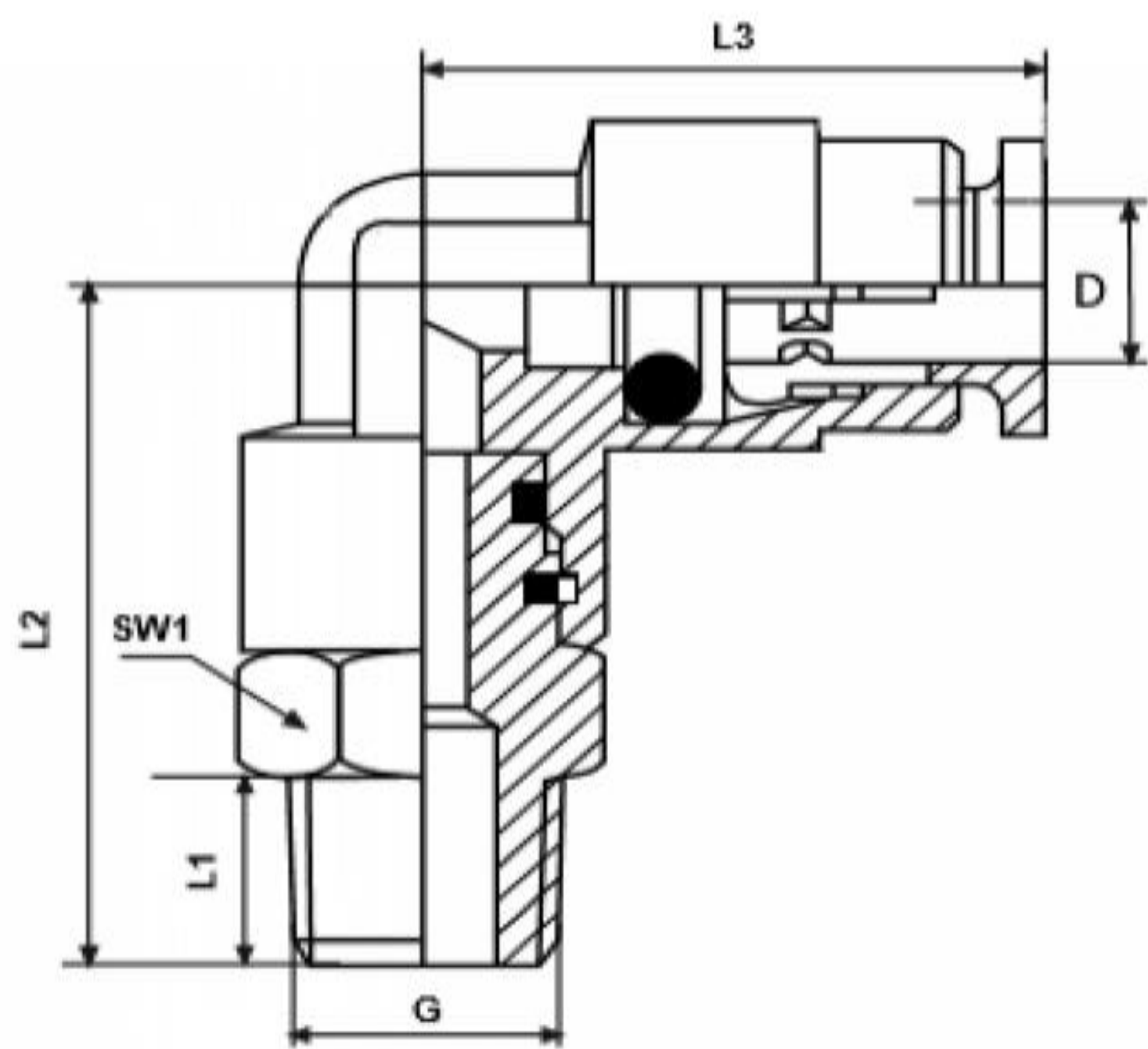
Part No.	Description	D	G	SW	L1	L2	Material
9900231	PGE-MS M6KD6	6	M6x1k	12	6,00	24,50	Messing
9900232	PGE-MS M8KD6	6	M8x1k	12	6,00	24,50	Messing
9900233	PGE-MS M10KD6	6	M10x1k	12	6,50	21,50	Messing
9900234	PGE-MS R8KD6	6	R1/8k	12	7,50	23,00	Messing

## Elbow Push-in Quick Couplings / Push-in Winkel Einschraubverschraubungen



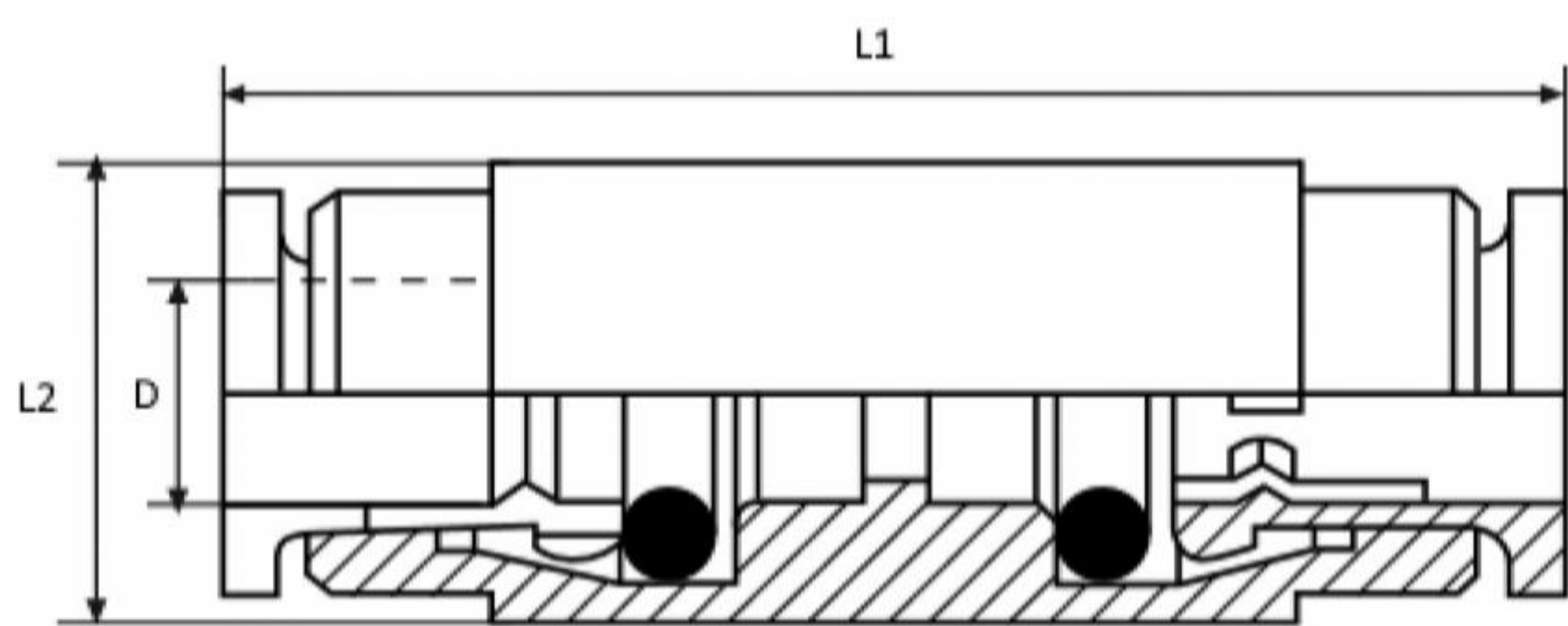
Part No.	Description	D	G	SW	L1	L2	L3	Material
9900239	PWE-MS M6KD6	6	M6x1k	10	6,00	21,00	17,00	Messing
9900240	PWE-MS M8KD6	6	M8x1k	10	6,00	21,00	17,00	Messing
9900241	PWE-MS M10KD6	6	M10x1k	10	6,50	21,00	17,00	Messing
9900242	PWE-MS R8KD6	6	R1/8k	10	7,50	21,00	17,50	Messing

## Rotatable Elbow Push-in Quick Couplings / Push-in Drehgelenk Winkeleinschraubverschraubungen



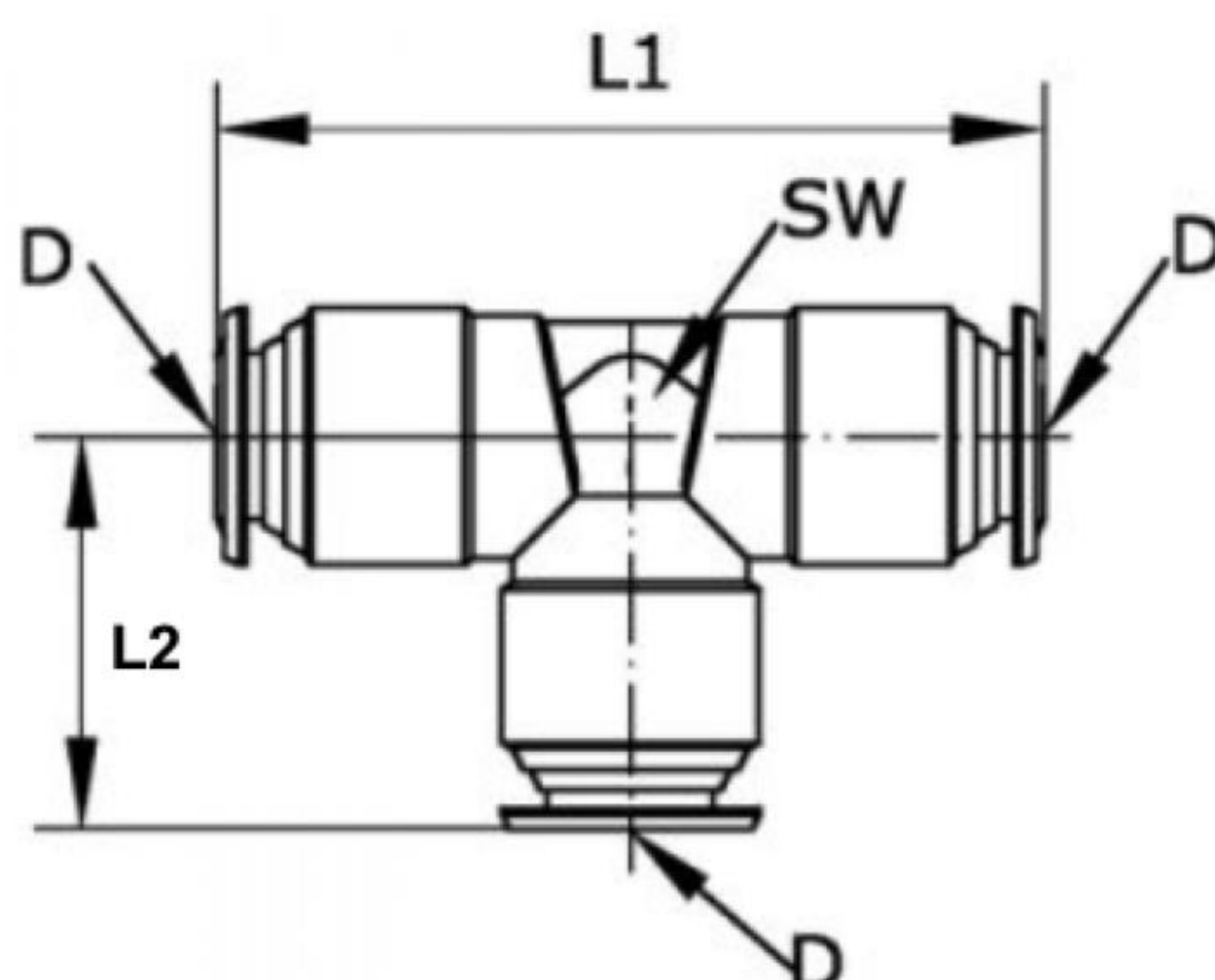
Part No.	Description	D	G	SW	L1	L2	L3	Material
9900247	PDWE-MS M6KD6	6	M6x1k	11	6,00	25,50	21,00	Messing
9900248	PDWE-MS M8KD6	6	M8x1k	11	6,00	25,50	21,00	Messing
9900249	PDWE-MS M10KD6	6	M10x1k	11	6,50	25,50	21,00	Messing
9900250	PDWE-MS R8KD6	6	R1/8k	11	7,50	27,00	21,00	Messing

## Push-In Straight Connectors / Push-In Gerade Verschraubungen



Part No.	Description	D	L1	L2	Material
9900252	PGV-MS D6	6	37,50	13,00	Messing

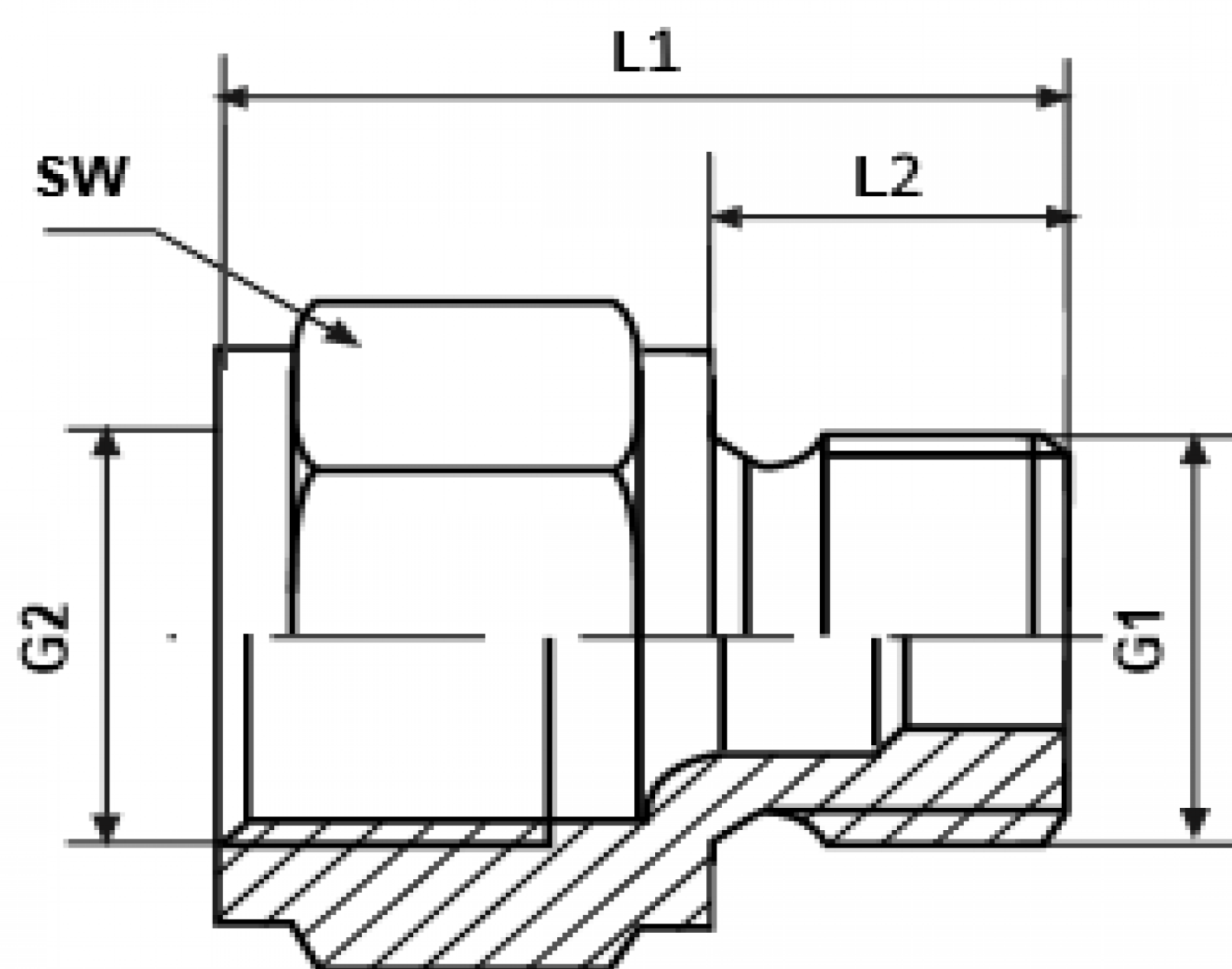
## Push-In T Connectors / Push-In T-Verschraubungen



Part No.	Description	D	L1	L2	SW	Material
9900253	PTV-MS D6	6	40,00	20,00	12	Messing

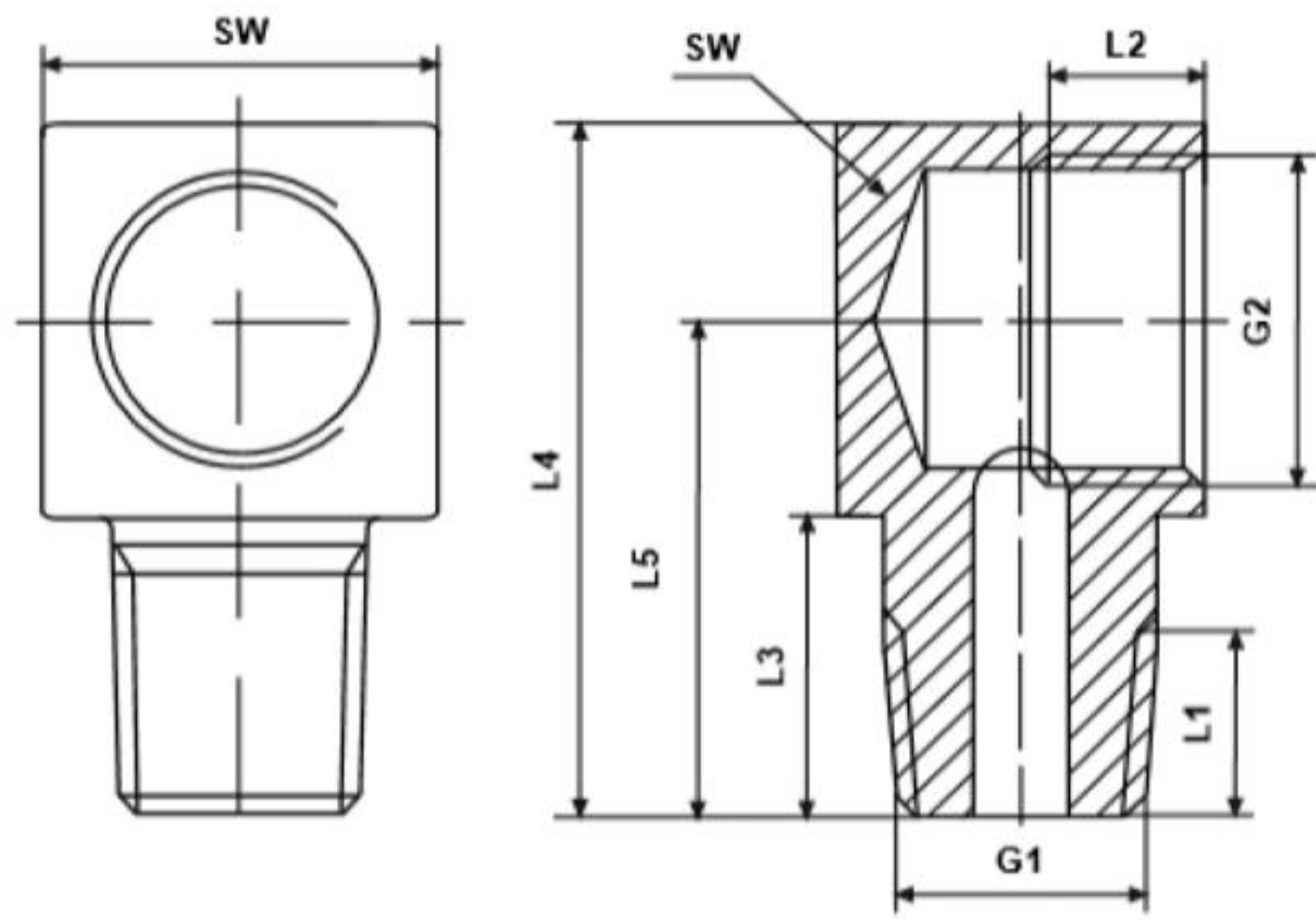


## Extension Adapters / Verlängerungen und Reduzierungen



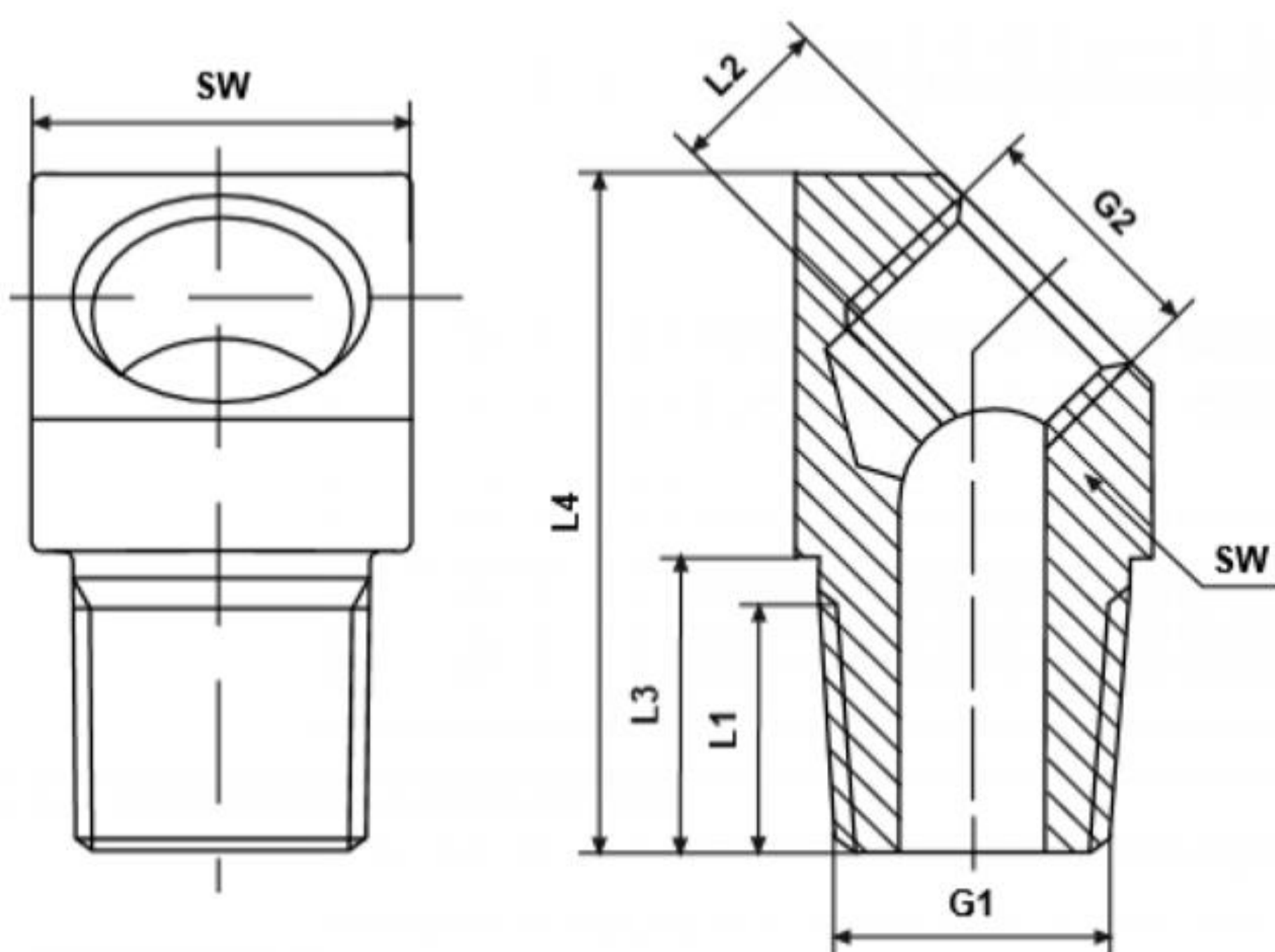
Part No.	Description	G1	G2	L1	L2	SW	Material
9900254	VR-ZN M6KM8L17	M6x1k	M8x1	17,00	6,50	11	Steel
9900255	VR-ZN M6KM8L20	M6x1k	M8x1	20,00	6,50	12	Steel zinc-nickel
9900256	VR-ZN M6KM10L25	M6x1k	M10x1	25,00	10,00	13	Steel
9900257	VR-ZN M8KM8L17	M8x1k	M8x1	17,00	6,50	14	Steel zinc-nickel
9900259	VR-ZN M8KM8L33	M8x1k	M8x1	33,00	25,00	11	Steel zinc-nickel
9900260	VR-ZN M8KM8L62	M8x1k	M8x1	62,00	50,00	11	Steel zinc-nickel
9900261	VR-ZN M8KM10L22	M8x1k	M10x1	22,00	6,50	14	Steel zinc-nickel
9900262	VR-ZN M10KM8L17	M10x1k	M8x1	17,00	6,50	11	Steel zinc-nickel
9900263	VR-ZN M10KM10L18	M10x1k	M10x1	18,00	8,00	14	Steel
9900265	VR-ZN M10KM10L21	M10x1k	M10x1	21,00	6,50	13	Steel zinc-nickel
9900268	VR-ZN M10KM10L24	M10x1k	M10x1	24,00	12,00	14	Steel zinc-nickel
9900269	VR-ZN M10KM10L36	M10x1k	M10x1	36,00	24,00	14	Steel zinc-nickel
9900270	VR-ZN M10KM10L40	M10x1k	M10x1	40,00	38,00	14	Steel
9900271	VR-ZN M10KM10L51	M10x1k	M10x1	51,00	39,00	14	Steel zinc-nickel
9900278	VR-ZN R8KM10L17	R1/8k	M10x1	17,00	6,50	14	Steel
9900279	VR-ZN R8KM10L21	R1/8k	M10x1	21,00	6,50	13	Steel zinc-nickel
9900280	VR-ZN R8KM10L51	R1/8k	M10x1	51,00	39,00	14	Steel zinc-nickel
9900282	VR-ZN R4KM10L20	R1/4k	M10X1	20,00	10,00	14	Steel
9900283	VR-ZN R4KM10L35	R1/4k	M10X1	35,00	24,00	14	Steel
9900284	VR-ZN R4KM10L56	R1/4k	M10X1	56,00	45,00	14	Steel

## Block Adapters D90 / Eck-Verschraubungen D90 (L1=6.5,L2=4)



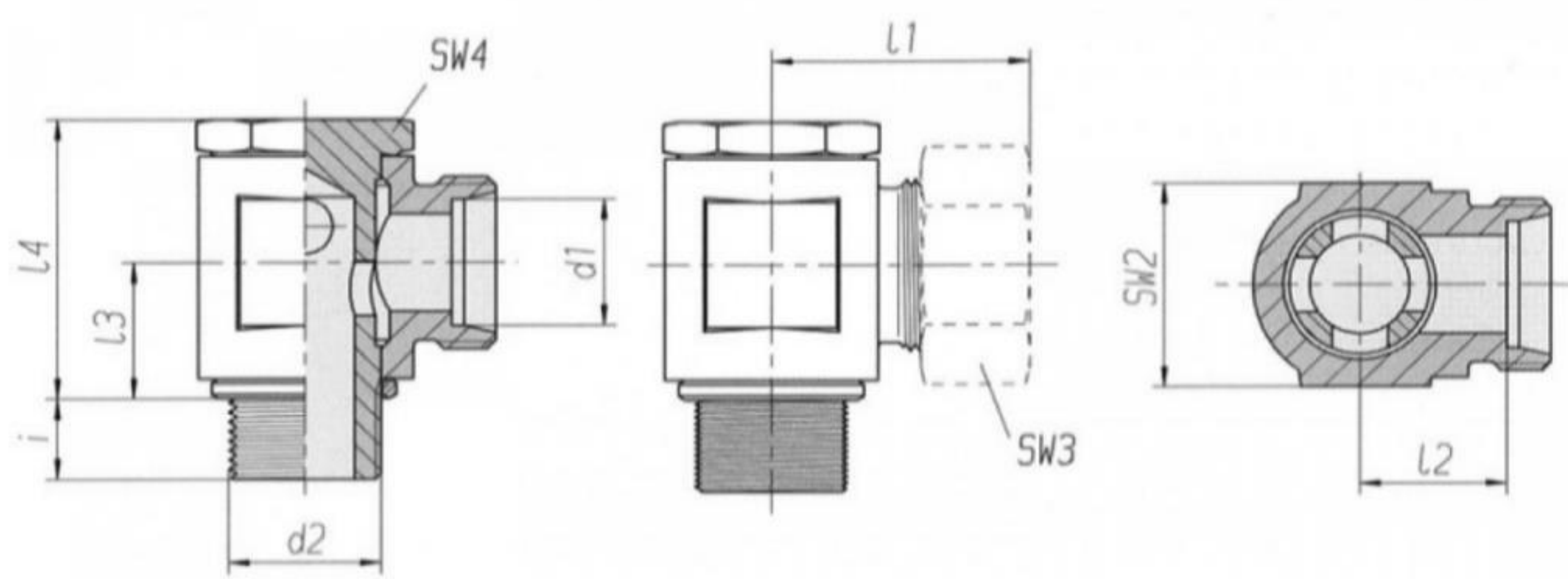
Part No.	Description	G1	G2	L3	L4	L5	SW	Material
9900296	EV90-ZN M6KM10	M6 x 1k	M10 x 1	10,00	23,00	16,50	12	Steel zinc-nickel
9900300	EV90-ZN M8KM10	M8 x 1k	M10 x 1	10,00	23,00	16,50	12	Steel zinc-nickel
9900301	EV90-ZN M8x1.25KM10	M8 x 1.25k	M10 x 1	10,00	23,00	16,50	12	Steel zinc-nickel
9900302	EV90-ZN M10KM8	M10 x 1k	M8 x 1	10,00	23,00	16,50	12	Steel zinc-nickel
9900303	EV90-ZN M10KM10	M10 x 1k	M10 x 1	10,00	23,00	16,50	12	Steel zinc-nickel
9900305	EV90-ZN R8KM10	R1/8k	M10 x 1	10,00	23,00	16,50	12	Steel zinc-nickel
9900307	EV90-ZN R4KM10	R1/4k	M10 x 1	12,00	26,00	20,00	14	Steel zinc-plated
9900310	EV90-SS M6KM10	M6x1k	M10x1	10,00	23,00	16,50	12	Stainless steel
9900311	EV90-SS M8KM10	M8x1k	M10x1	10,00	23,00	16,50	12	Stainless steel
9900312	EV90-SS M10KM10	M10x1k	M10x1	10,00	23,00	16,50	12	Stainless steel

## Block Adapters D45 / Eck-Verschraubungen D45 (L2=5)



Part No.	Description	G1	G2	L1	L3	L4	SW	Material
9900313	EV45-ZN M6KM8	M6 x 1k	M8 x 1	6,50	10,00	23,00	12	Steel zinc-nickel
9900314	EV45-ZN M8KM8	M8 x 1k	M8 x 1	6,50	10,00	23,00	12	Steel zinc-nickel
9900315	EV45-ZN M8x1.25KM8	M8 x 1,25k	M8 x 1	6,50	10,00	23,00	12	Steel zinc-nickel
9900316	EV45-ZN M10KM8	M10 x 1k	M8 x 1	6,50	10,00	23,00	12	Steel zinc-nickel
9900317	EV45-ZN M10KM10	M10 x 1k	M10 x 1	6,50	10,00	23,00	12	Steel zinc-nickel
9900319	EV45-ZP R4KR4	R1/4k	R1/4	9,50	12,00	32,50	18	Steel zinc-plated

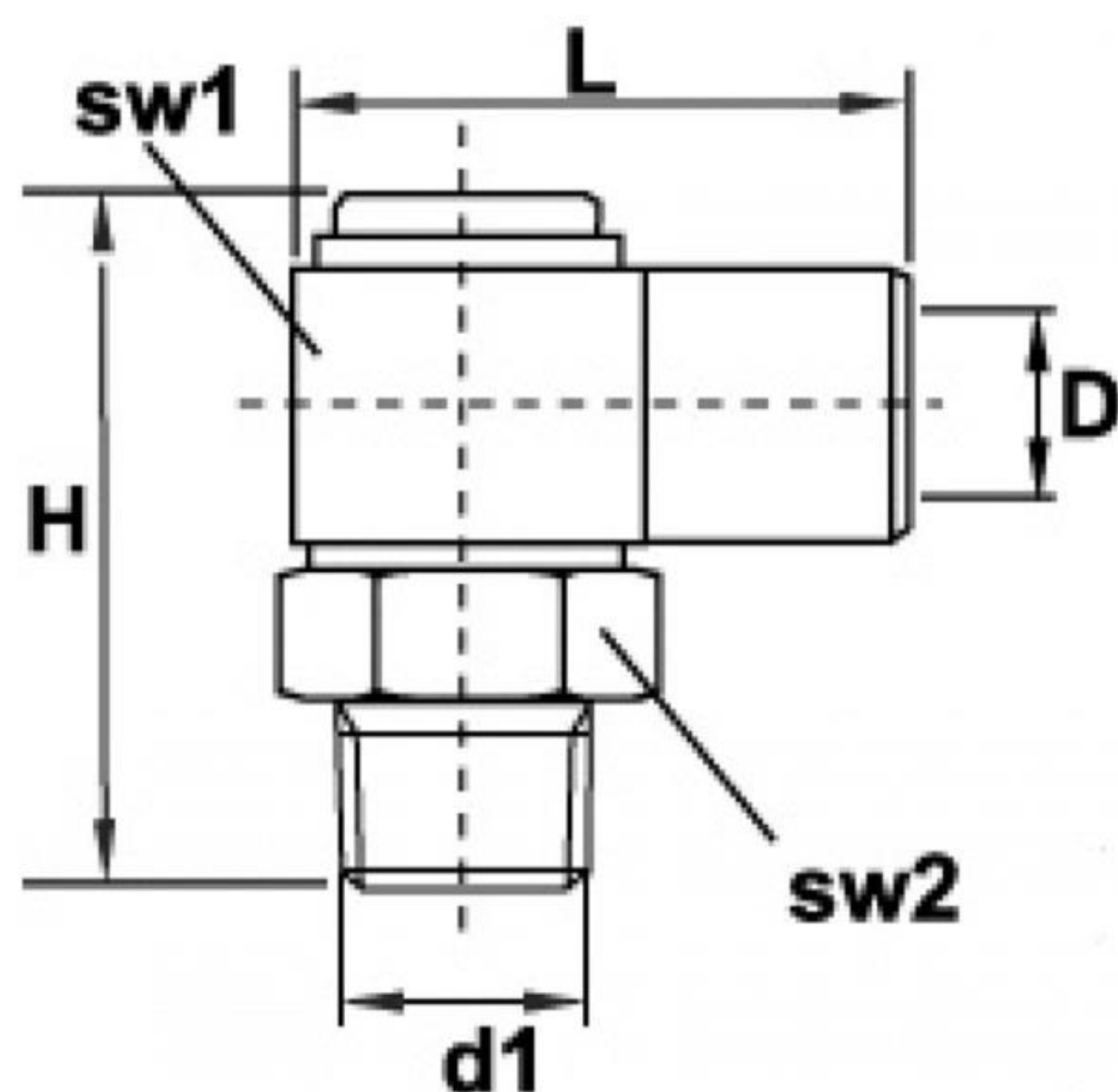
## Swivel Banjo Couplings / Winkel-Schwenkverschraubungen



Part No.	Description	d1	d2(G)	L1	L2	L3	L4	SW3	SW4
9900322	WS-ZN D6M8	6	M8x1	6,00	15,00	22,00	10	12	14
9900323	WS-ZN D6M10	6	M10x1	6,00	15,00	22,00	10	12	14
9900324	WS-ZN D8M10	8	M10x1	6,00	15,00	23,00	11	14	14
9900325	WS-ZN D6R8	6	R1/8	6,00	15,00	22,00	10	12	14
9900326	WS-ZN D8R8	8	R1/8	6,00	15,00	23,00	11	14	14

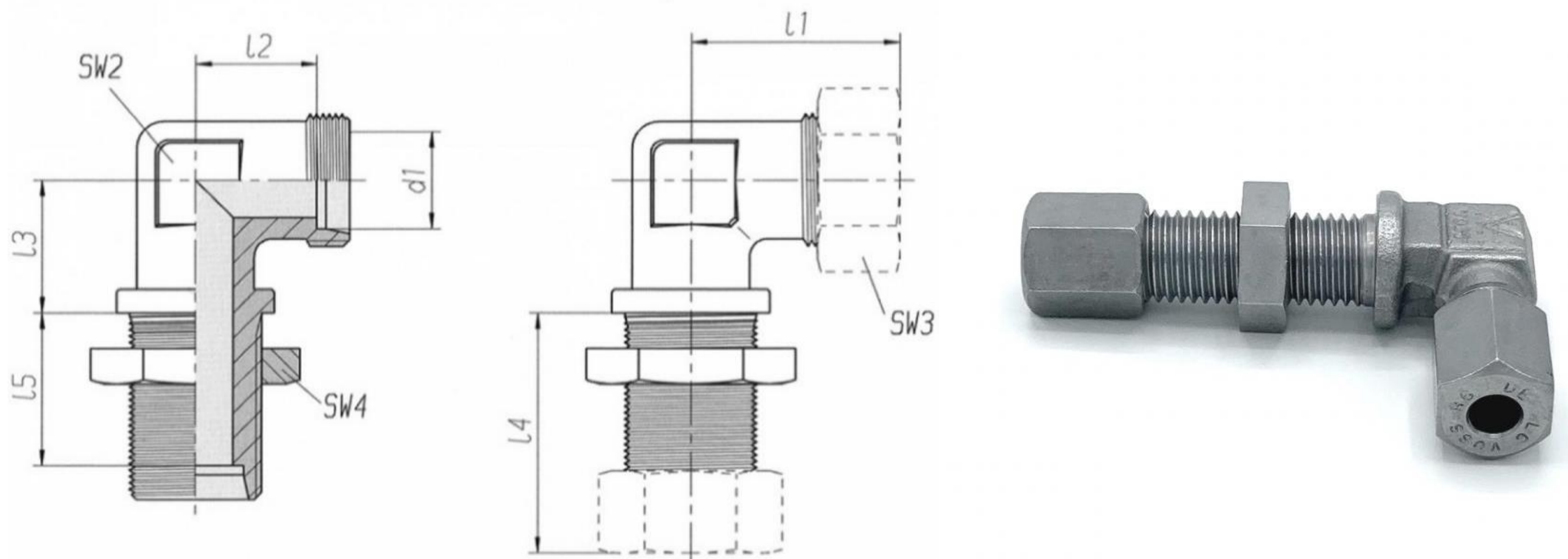
Material: **WS-ZN:** Steel Zinc-Nickel

## Swivel Brass / Drehgelenk



Part No.	Description	G-D	G (d1)	L	H	SW1	SW2	Material
9900331	D-MS M8R8	M8 x 1-4	R1/8	26,50	30,00	15	14	Brass (Messing)
9900332	D-MS M8M8K	M8 x 1-4	M8 x 1k	26,50	30,00	15	14	Brass (Messing)
9900333	D-MS M8M10K	M8 x 1-4	M10 x 1k	26,50	30,00	15	14	Brass (Messing)
9900334	D-MS M10R8K	M10 x 1-6	R1/8k	29,00	30,00	15	14	Brass (Messing)
9900335	D-MS M10M6K	M10 x 1-6	M6 x 1k	29,00	30,00	15	14	Brass (Messing)
9900336	D-MS M10M8K	M10 x 1-6	M8 x 1k	29,00	30,00	15	14	Brass (Messing)
9900337	D-MS M10M10K	M10 x 1-6	M10 x 1k	29,00	30,00	15	14	Brass (Messing)

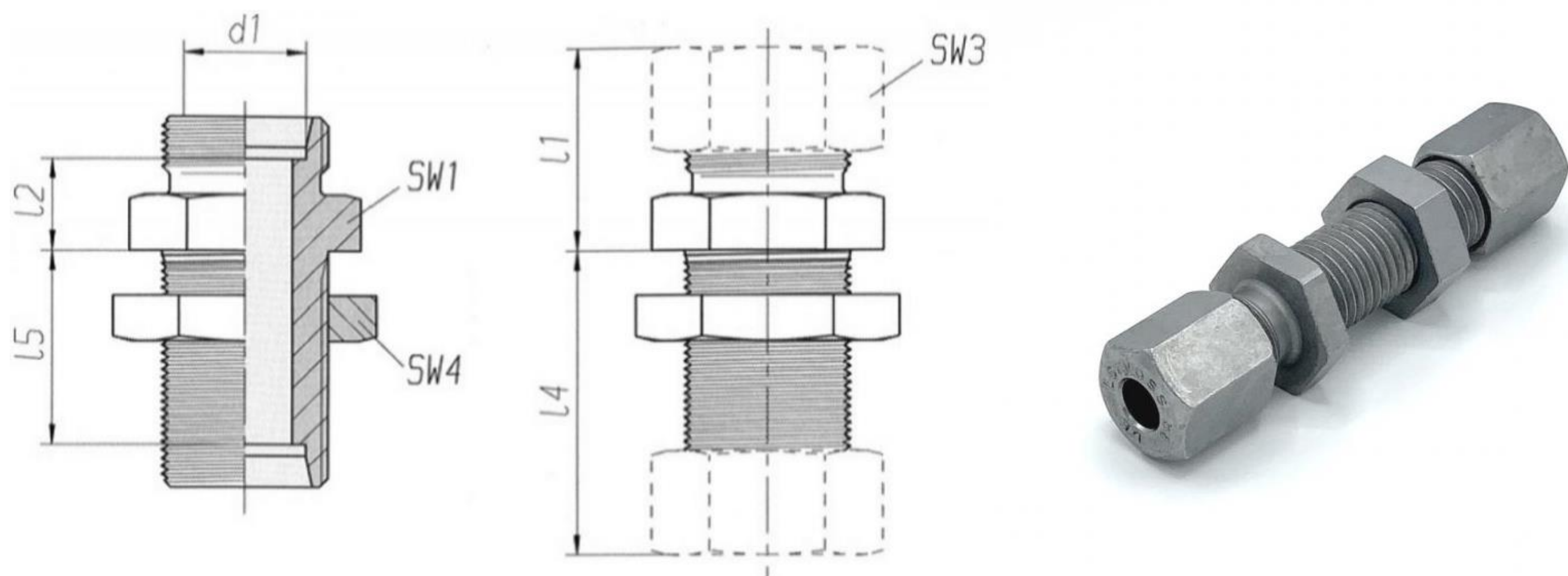
## Angle Bulkhead Throughputs (WSV) / Winkel-Schottverschraubungen



Part No.	Description	d1	L1	L2	L3	L4	L5	SW2	SW3	SW4	Series
9900338	WSV-ZP D6	6,00	27,00	12,00	14,00	42,00	27,00	12	14	17	L
9900339	WSV-ZP D8	8,00	29,00	14,00	17,00	42,00	27,00	12	17	19	L
9900342	WSV-SS D6	6,00	27,00	12,00	14,00	42,00	27,00	12	14	17	L

Material: **WSV-ZP**: Steel Zinc plated, **WSV-SS**: Stainless Steel

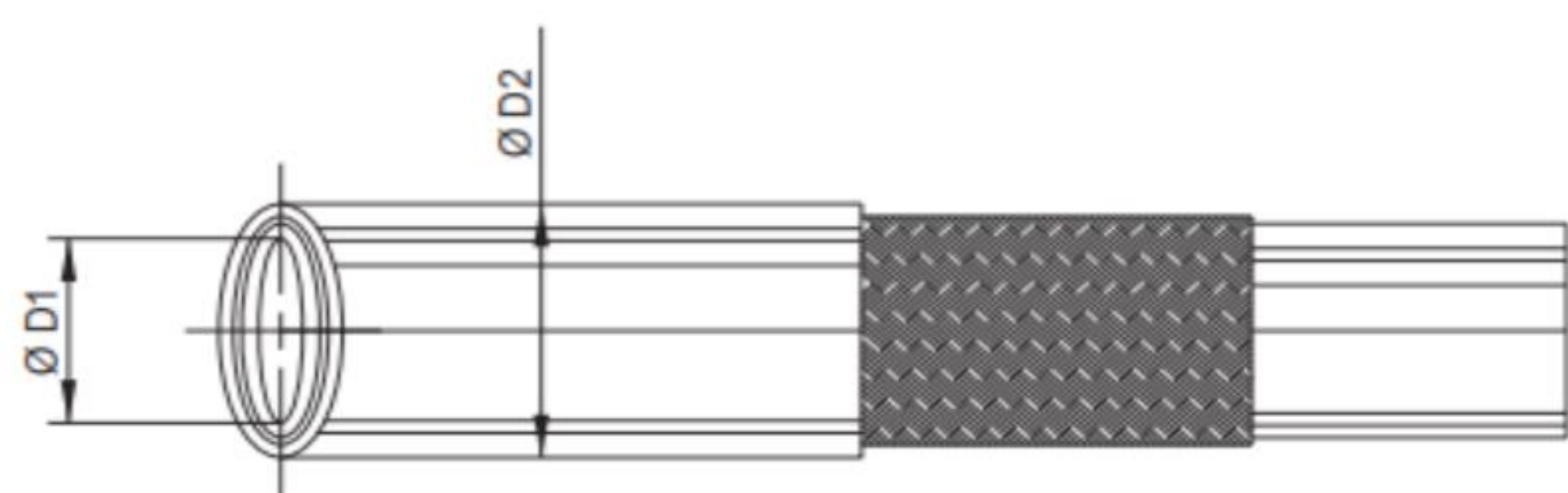
## Straight Bulkhead Throughputs / Gerade-Schottverschraubungen



Part No.	Description	d1	L1	L2	L4	L5	SW1	SW3	SW4	Series
9900346	GSV-ZP D6	6,00	22	7	42	27	17	14	17	17
9900347	GSV-ZP D8	8,00	23	8	42	27	19	17	19	19
9900350	GSV-SS D6	6,00	22	7	42	27	17	14	17	17
9900351	GSV-SS D8	8,00	23	8	42	27	19	17	19	19

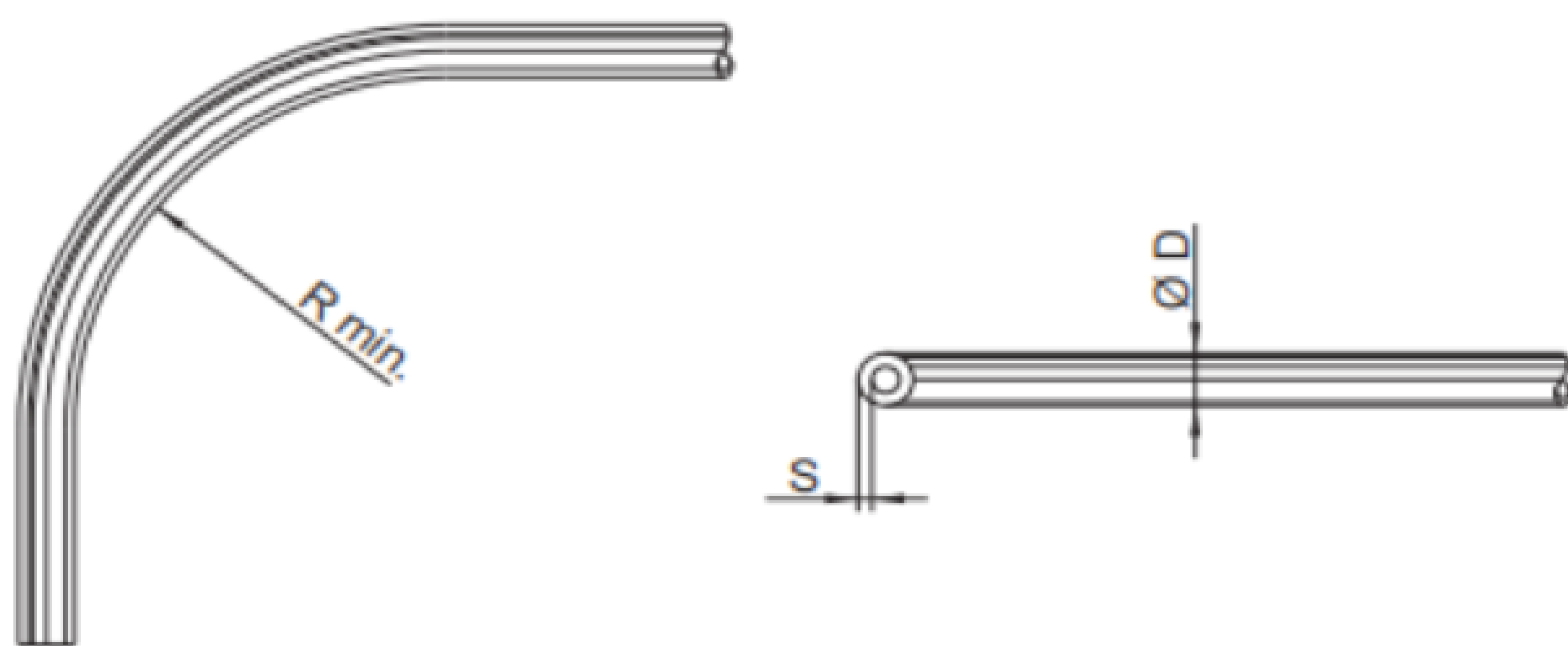
Material: **WSV-ZP**: Steel Zinc plated, **WSV-SS**: Stainless Steel

## High Pressure Hose / Hochdruckschlauch



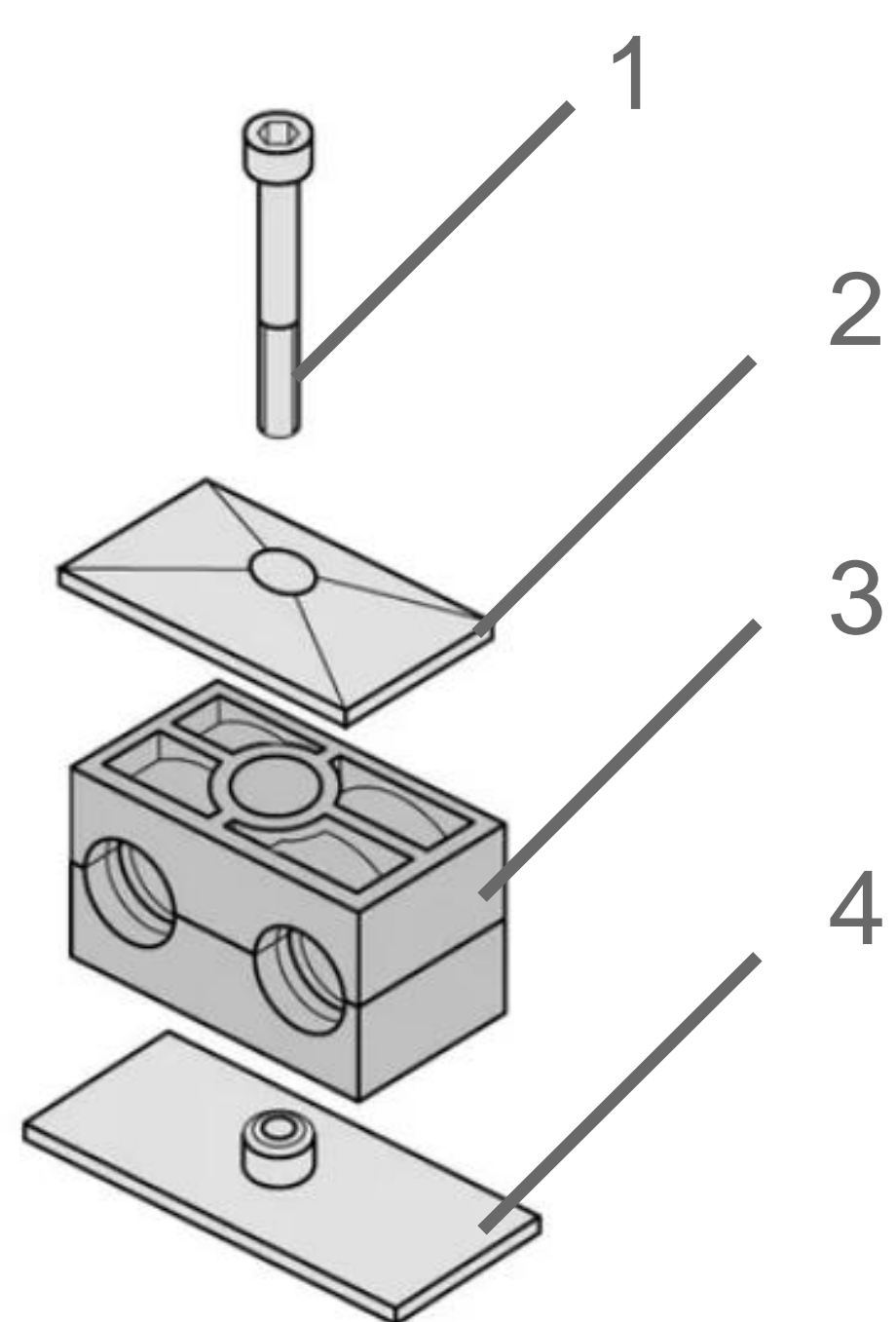
Part No.	Description	D1 (mm)	D2 (mm)	Working Pressure (bar)	Bursting Pressure (bar)	Packaging Unit	Grease filled
9900441	HDS D4-8.6L50	4,00	8,60	210	840	50m	No
9900446	HDS D4-8.6L50 GF	4,00	8,60	210	840	50m	Yes
9900447	HDS D6.3-11.3L50	6,30	11,30	210	840	50m	No
9900448	HDS D6.3-11.3L50 GF	6,30	11,30	210	840	50m	Yes

## PA Hose / Kunststoffrohr



Part No.	Description	D (mm)	S (mm)	Working Pressure (bar)	Packaging Unit	Grease filled
9900451	KR D3-6L100	6,00	1,50	93	100m	No
9900454	KR D3-6L100 GF	6,00	1,50	93	100m	Yes

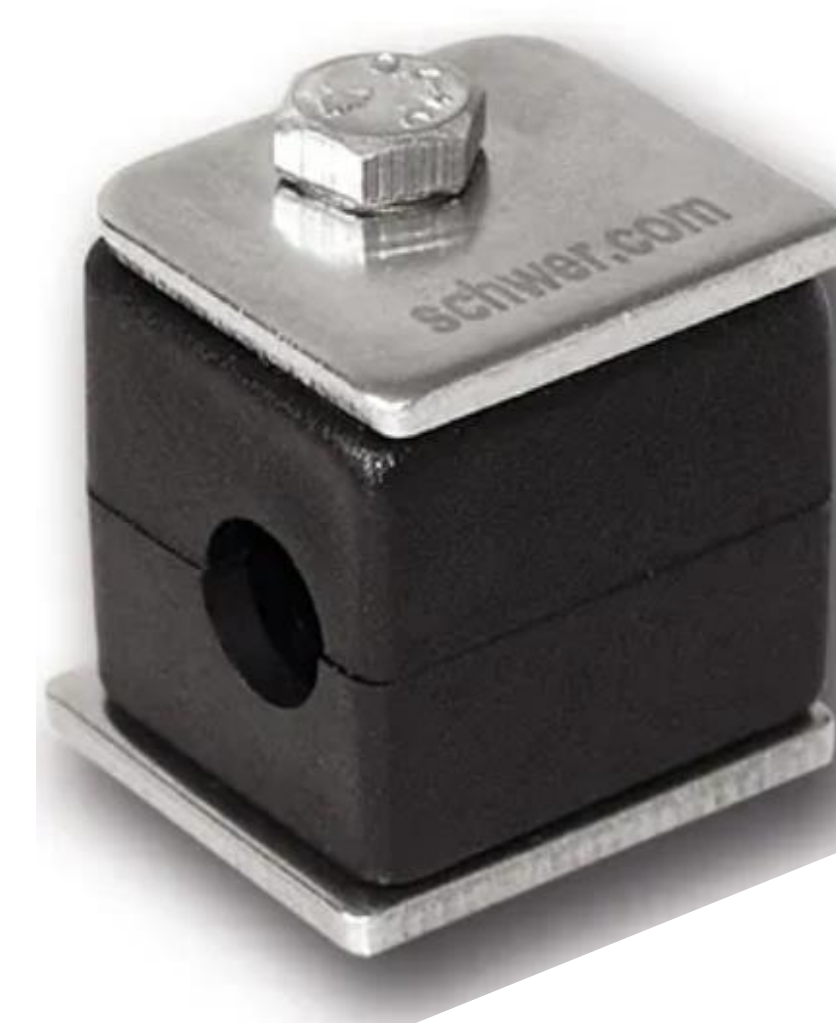
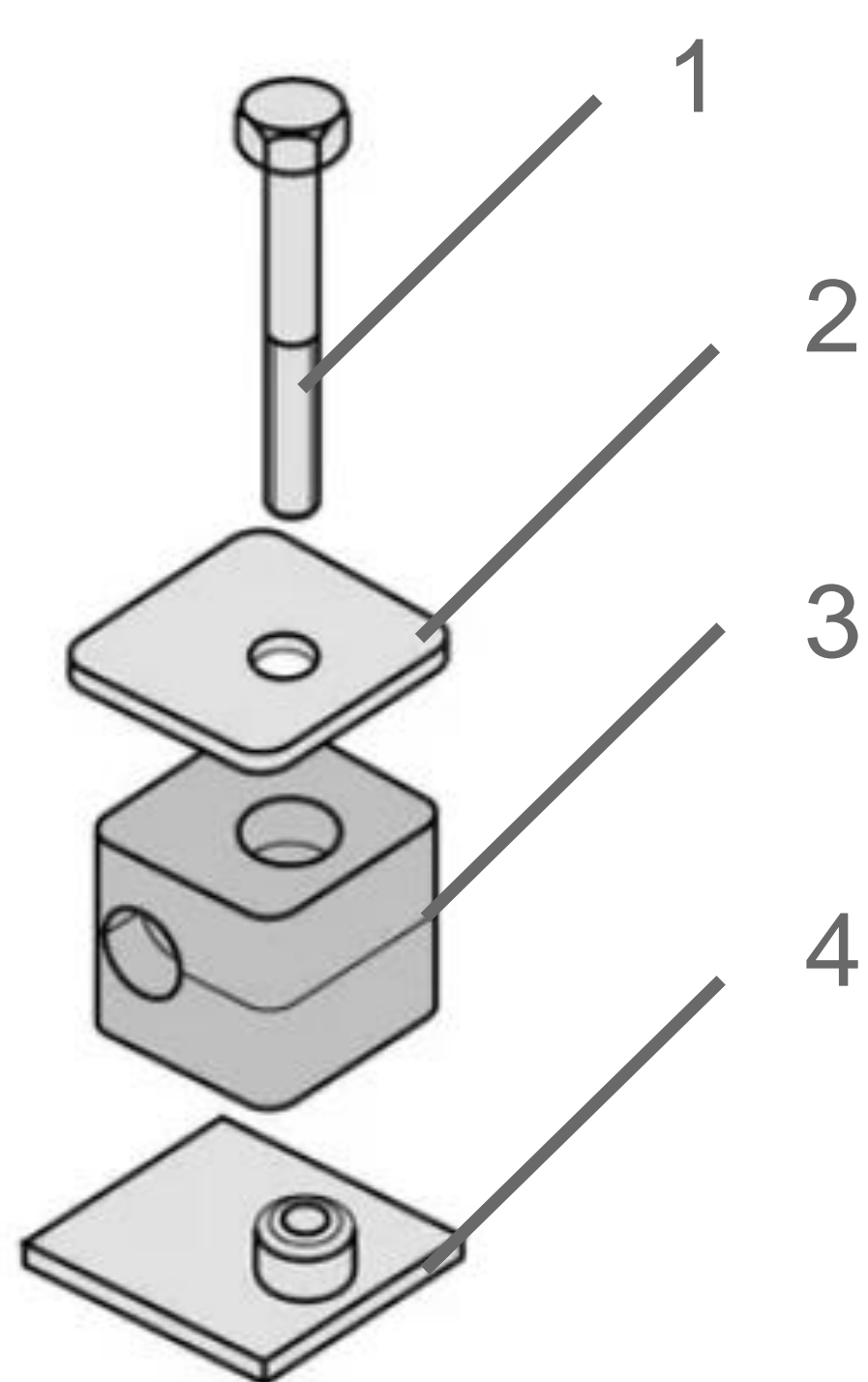
## Double Hose Clamp / Doppelrohrschele



D: 12mm  
 Material: V4A / PP  
 Connection Thread: M6

Part No.	Pos.	Description
9901749	1	Clamp Bolt M6x35 DAS 1
9901748	2	Clamp Top Plate DDP 1
9901746	3	Clamp (2 PCS) Double DSK P1 12
9901747	4	Clamp Ground Plate DAP 1 6-12

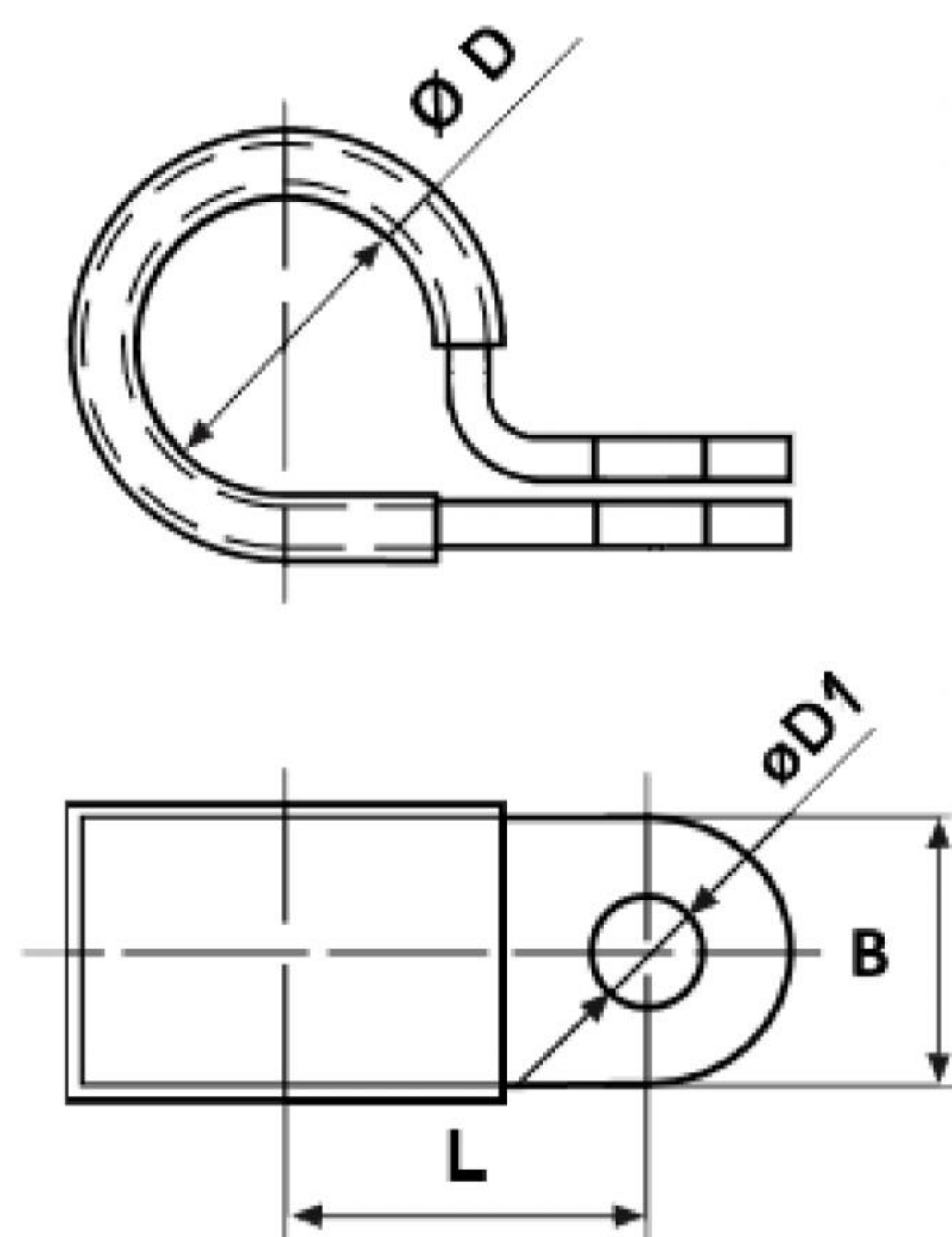
## Single Hose Clamp / Einzelrohrschele



D: 12mm  
 Material: V4A / PA  
 Connection Thread: M6

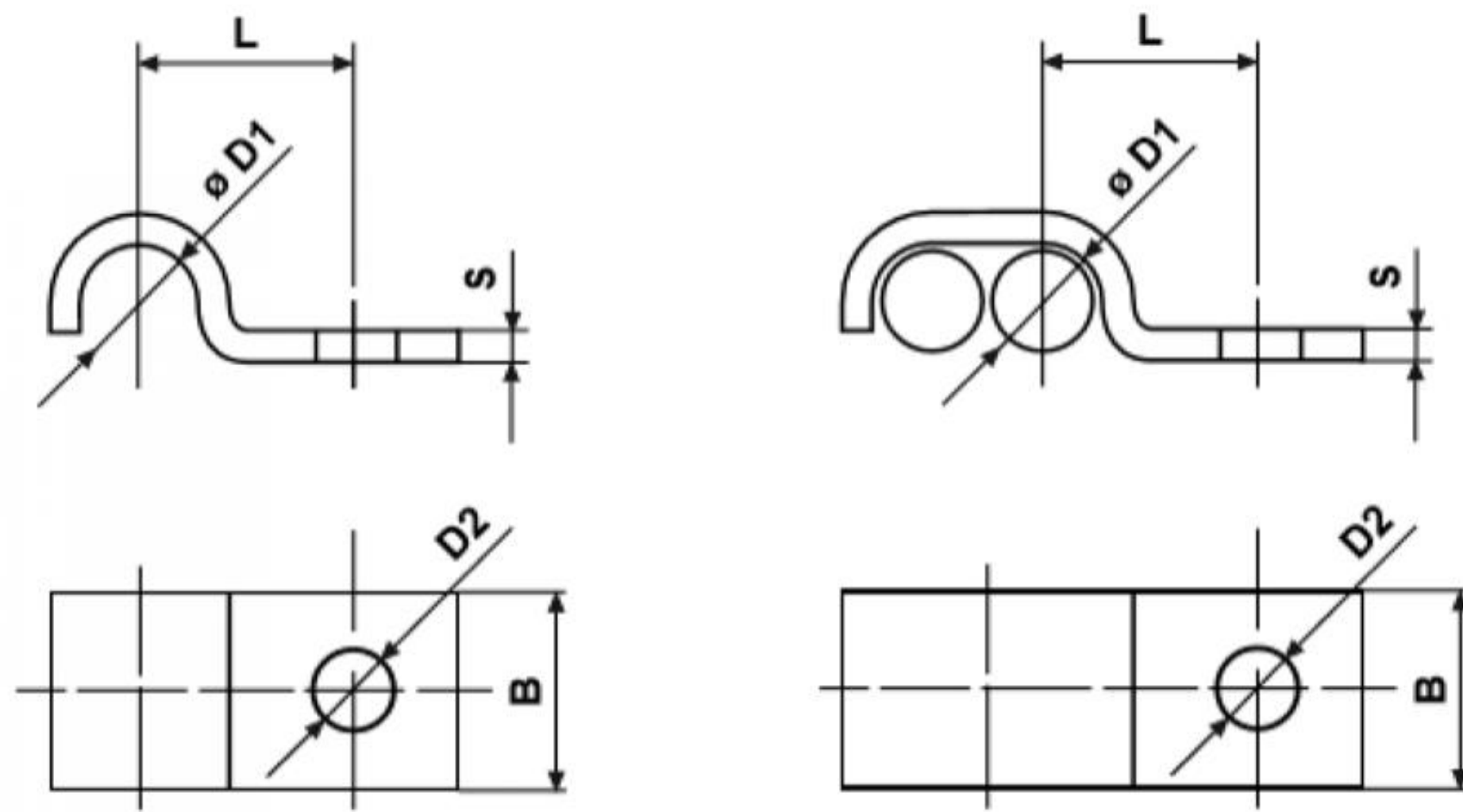
Part No.	Pos.	Description
9901745	1	Clamp Bolt M6x30 EAS 0
9901744	2	Clamp Top Plate EDP 0
9901742	3	Clamp (2 PCS) Single ESK P0 12
9901743	4	Clamp Ground Plate EAP 0 6-12

## Hose Clamp / Rohrschelle mit Gummieinlage



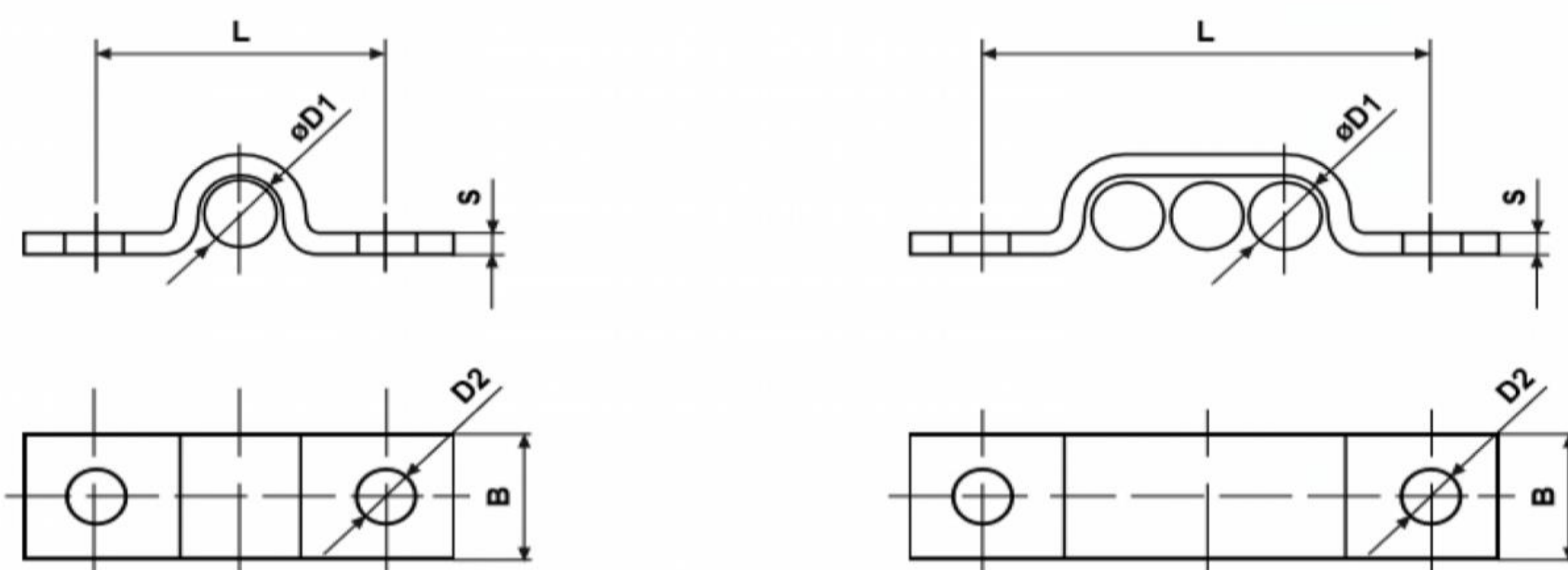
Part No.	Description	D	B (mm)	D1 (mm)	Material
9900355	RSG-ZP D6D5	6 mm	12,00	5,30	Steel zinc-plated
9900356	RSG-ZP D6D6	6 mm	15,00	6,40	Steel zinc-plated
9900357	RSG-ZP D8D5	8 mm	12,00	5,30	Steel zinc-plated
9900358	RSG-ZP D8D6	8 mm	15,00	6,40	Steel zinc-plated
9900360	RSG-ZP D10D6	10 mm	15,00	6,40	Steel zinc-plated
9900361	RSG-ZP D12D5	12 mm	12,00	5,30	Steel zinc-plated
9900362	RSG-ZP D12D6	12 mm	15,00	6,40	Steel zinc-plated
9900365	RSG-ZP D15D5	15 mm	12,00	5,30	Steel zinc-plated
9900366	RSG-ZP D15D6	15 mm	15,00	6,40	Steel zinc-plated
9900369	RSG-ZP D17D5	17 mm	12,00	5,30	Steel zinc-plated
9900370	RSG-ZP D18D5	18 mm	12,00	5,30	Steel zinc-plated
9900371	RSG-ZP D18D6	18 mm	15,00	6,40	Steel zinc-plated
9900373	RSG-ZP D20D5	20 mm	12,00	5,30	Steel zinc-plated
9900374	RSG-ZP D20D6	20 mm	15,00	6,40	Steel zinc-plated
9900376	RSG-ZP D22D6	22 mm	15,00	6,40	Steel zinc-plated
9900378	RSG-ZP D25D6	25 mm	15,00	6,40	Steel zinc-plated
3049000230	RSG-ZP D10D6C	10 mm	15,00	6,40	Steel zinc-plated
3049000280	RSG-ZP D15D6C	15 mm	15,00	6,40	Steel zinc-plated
3049000320	RSG-ZP D18D6C	18 mm	15,00	6,40	Steel zinc-plated
3049000350	RSG-ZP D22D6C	22 mm	15,00	6,40	Steel zinc-plated

## Hose Clamp One Sided / Befestigungsschellen - einlaschig



Part No.	Description	D1 (mm)	D2 (mm)	L (mm)	B (mm)	S (mm)	Material
9900400	BSE-ZP D6	6,00	4,80	10,00	10,00	1,00	Steel zinc-plated
9900402	BSE-ZP D8	8,00	4,80	11,00	10,00	1,00	Steel zinc-plated
9900404	BSE-ZP D12	12,00	5,80	16,00	12,00	1,50	Steel zinc-plated
9900406	BSE-ZP D6x2	6,00	4,80	13,00	10,00	1,00	Steel zinc-plated
9900407	BSE-ZP D8x2	8,00	4,80	15,00	10,00	1,00	Steel zinc-plated

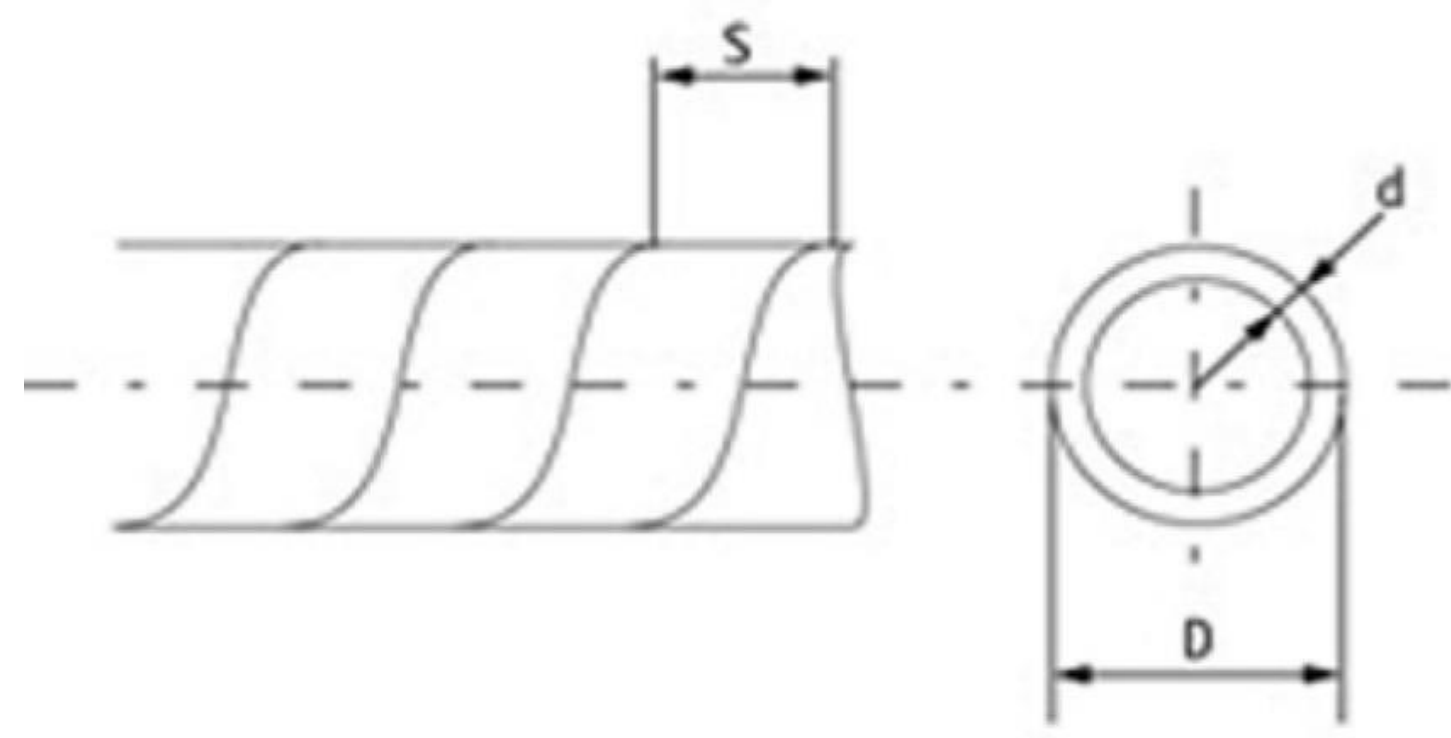
## Hose Clamp Two Sided / Befestigungsschellen - zweilaschig



Part No.	Description	D1 (mm)	D2 (mm)	L (mm)	B (mm)	S (mm)	Material
9900415	BSZ-ZP D6x1	6,00	4,80	20,00	10,00	1,00	Steel zinc-plated
9900416	BSZ-ZP D6x2	6,00	4,80	26,00	10,00	1,00	Steel zinc-plated
9900417	BSZ-ZP D6x3	6,00	4,80	33,00	10,00	1,00	Steel zinc-plated
9900418	BSZ-ZP D6x4	6,00	4,80	39,00	10,00	1,00	Steel zinc-plated
9900419	BSZ-ZP D6x5	6,00	4,80	45,00	10,00	1,00	Steel zinc-plated
9900420	BSZ-ZP D6x6	6,00	4,80	52,00	10,00	1,00	Steel zinc-plated
9900421	BSZ-ZP D8x1	8,00	4,80	22,00	10,00	1,00	Steel zinc-plated
9900422	BSZ-ZP D8x2	8,00	4,80	30,00	10,00	1,00	Steel zinc-plated
9900423	BSZ-ZP D8x3	8,00	4,80	39,00	10,00	1,00	Steel zinc-plated
9900424	BSZ-ZP D8x4	8,00	4,80	47,00	10,00	1,00	Steel zinc-plated
9900425	BSZ-ZP D8x5	8,00	4,80	56,00	10,00	1,00	Steel zinc-plated

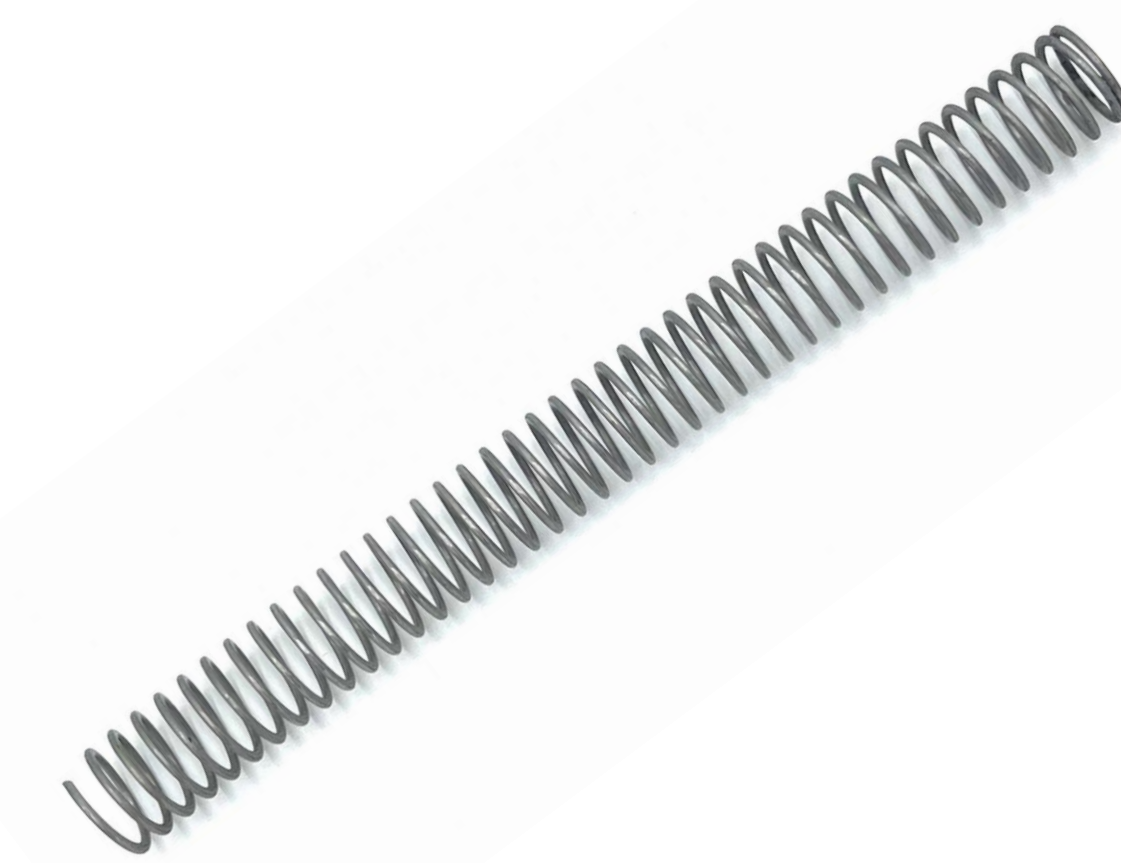
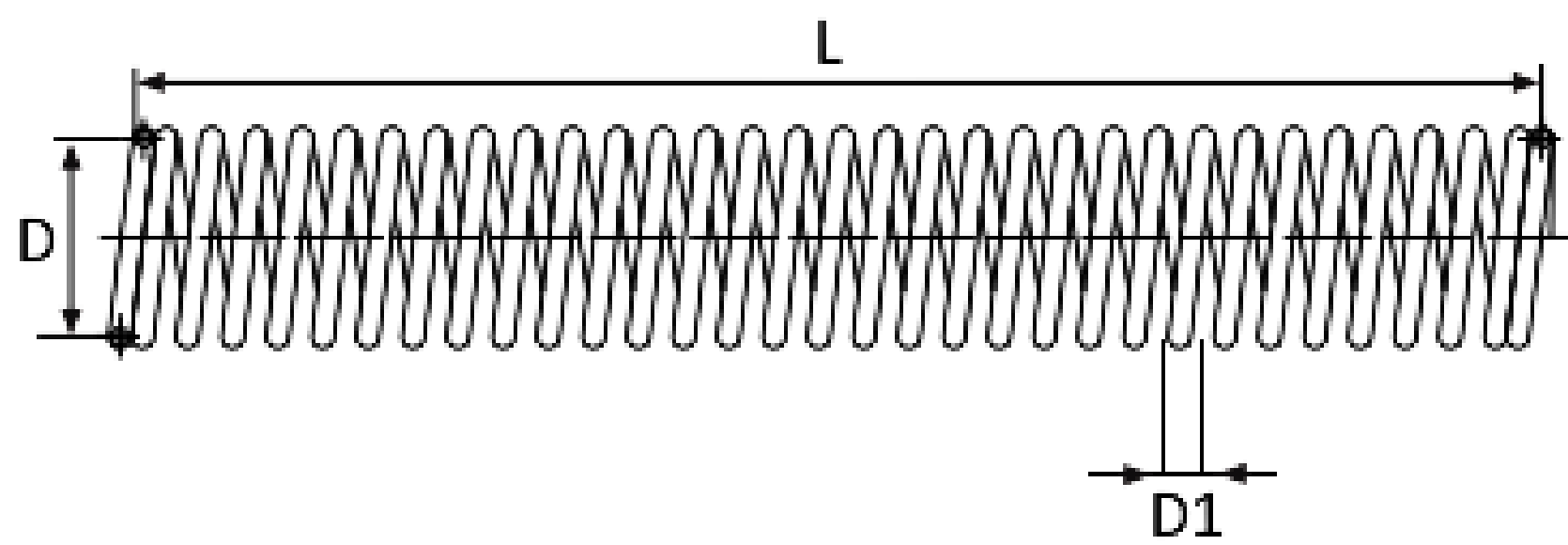


## Spiral Guards / Rohrwendel



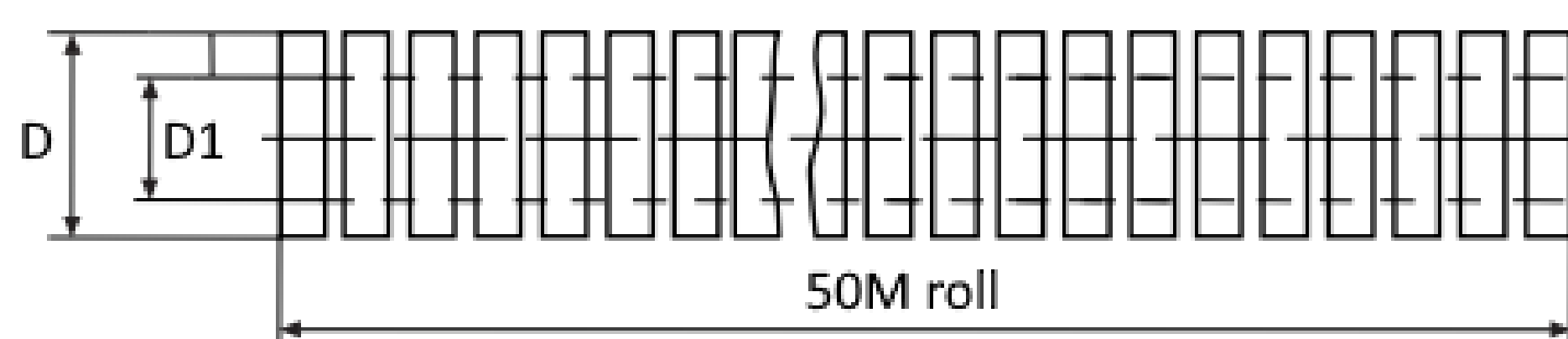
Part No.	Description	D (mm)	S (mm)	d (mm)
9901658	RW D6	6,00	7,00	0,75
9901659	RW D12	12,00	14,00	1,50

## Protective Springs / Schutzfederungen



Part No.	Description	D (mm)	D1 (mm)	L (m)	Material
9901832	SF-SS D10	10,00	1,30	5	Stainless Steel 316TI
9901833	SF-SS D16	16,00	2,00	5	Stainless Steel 316TI
9901834	SF-SS D19	19,00	2,00	5	Stainless Steel 316TI

## Corrugated protective conduit / Wellrohre



Part No.	Description	D (mm)	D1 (mm)	Packaging Unit	Material
9901835	WR-PP D7	9,90	6,90	50 m	PP
9901836	WR-PP D10	12,90	10,10	50 m	PP