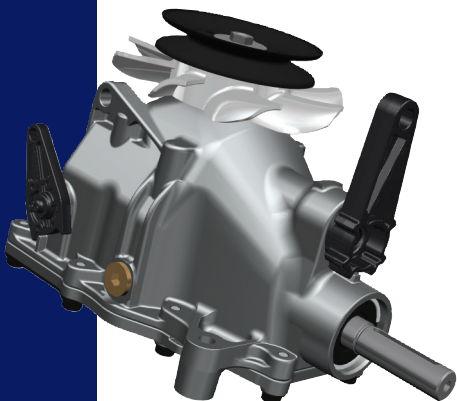


RT-310™

DESIGNED FOR THE TOUGHEST JOB

- ⚙ Engineered for both power & durability, providing unmatched performance for the long haul
- ⚙ The RT-310's infinitely variable output speed provides superior control to power through the toughest chores
- ⚙ Maintenance-free design for longer life



 **HYDRO-GEAR®**

DESIGNED & ASSEMBLED IN THE USA

EFFICIENT & RELIABLE

SPECIFICATIONS

| | |
|---------------------------------------|--|
| Overall Transmission Reduction | 3.4:1 |
| Pump Displacement | 0.18 in³/rev [3 cc/rev] |
| Motor Displacement | 0.62 in³/rev [10.2 cc/rev] |
| Input Speeds | |
| Max Hi-idle (No Load) | 3100 rpm |
| Min (Loaded) | 500 rpm |
| Output Torque | |
| Continuous | 5.9 lb-ft [8.0 Nm] |
| Intermittent | 13.6 lb-ft [18.4 Nm] |
| Output Shaft Diameter | 0.625 in [15.9 mm] |
| Output Shaft Type | Keyway 1.17 in x 0.1892 in [29.7 mm x 4.8 mm] |
| Weight of Unit | 11 lbs [5 kg] |

Specifications subject to change without notice



RT310-09/2016-V1

**FOR MORE INFORMATION VISIT:
WWW.HYDRO-GEAR.COM**

