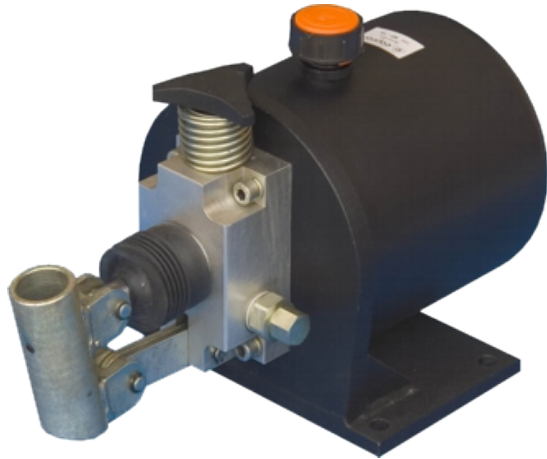


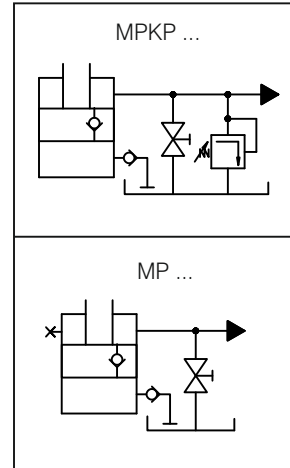
GENERAL DESCRIPTION

The single acting manual pumps with double stroke action , which supplies oil in both the forward and reverse direction of the handle. They can be fitted also onto tank and are equipped with lowering valve (unloading valve).

A relief valve option is available to protect the hydraulic system from over-pressure. Operating handle is supplied with a comfortable hand grip.



Symbol



ORDERING CODE



Manual pump:
with pressure relief valve - **MPKP**
without pressure relief valve - **MP**

Pressure setting [bar]
(for MPKP only)
up to 300 *

Tank volume: without tank - omit
 3 liters - **3**
 5 liters - **5**
 8 liters - **8**
 10 liters - **10**

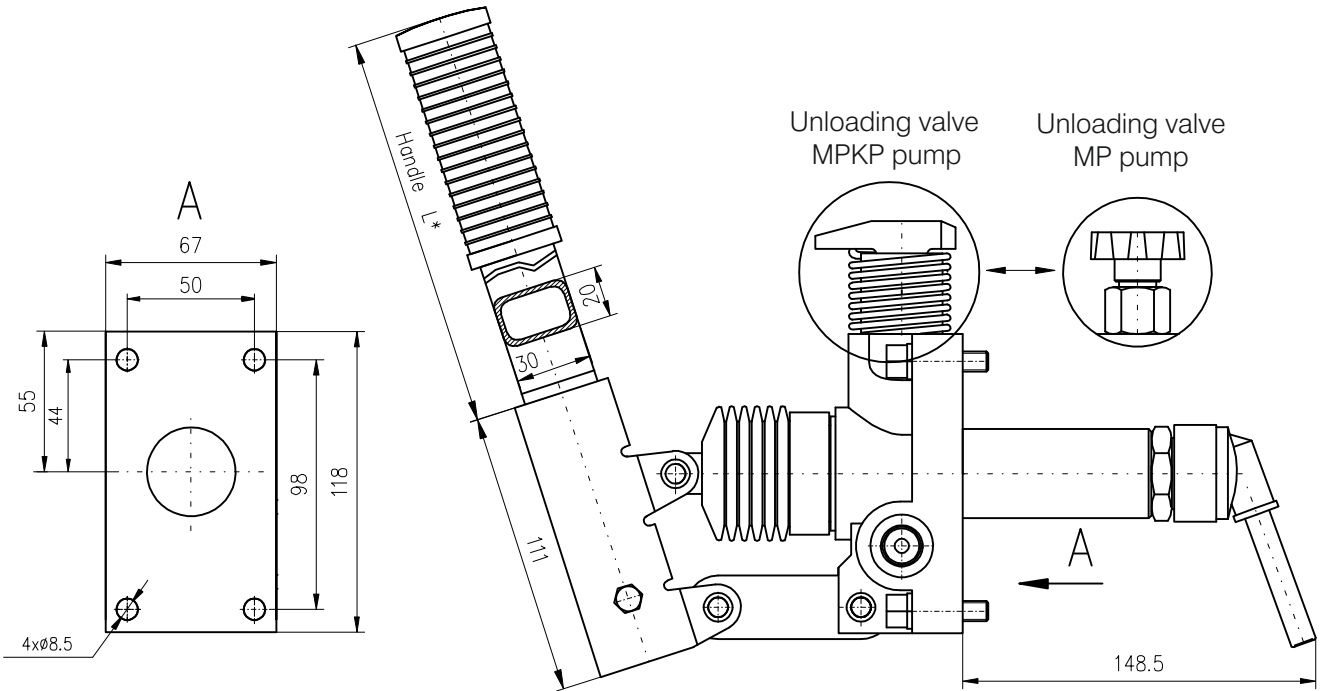
*** If not specified the set pressure , the factory pre-setting of the relief valve is 150bar , as standard.**

TECHNICAL DATA

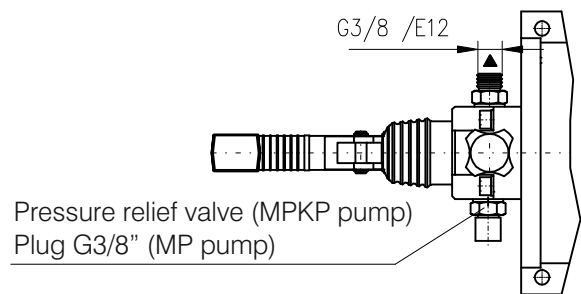
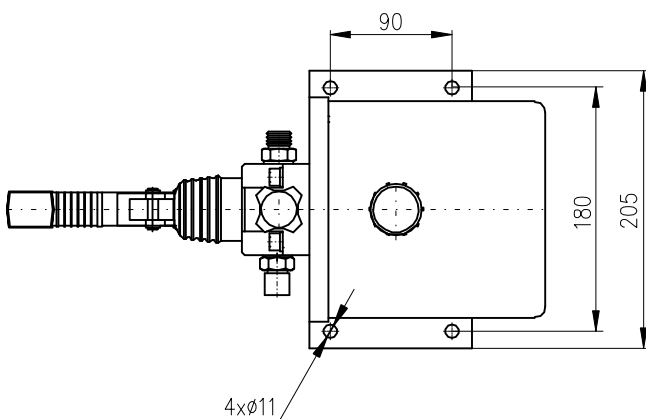
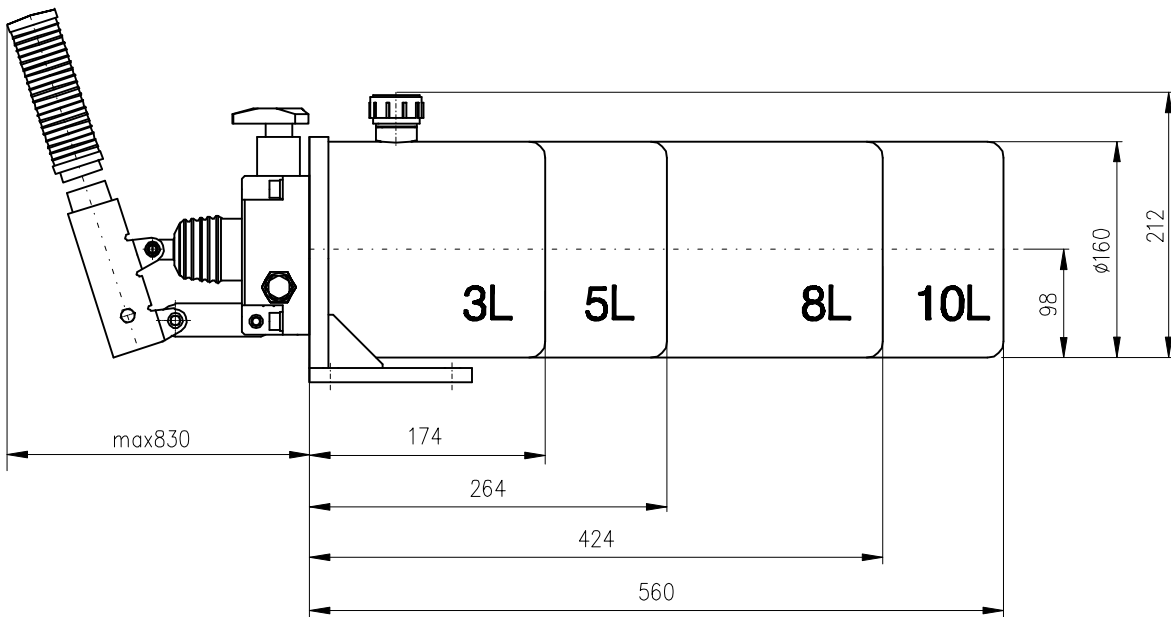
DATA	UNIT	VALUE/RANGE
Geometrical volume	cc/per double stroke	25
Pressure setting range (for MPKP type , only)	bar	40 ... 300
Hydraulic fluid-mineral oil ISO 6743/4: -filtration degree	mm	0.025

All dimensions are shown in mm.

DIMENSIONS



- * L600 (L=600mm length) - MP pump , as standard
- * L900 (L=900mm length) - MPKP pump , as standard



Pressure relief valve (MPKP pump)
Plug G3/8" (MP pump)