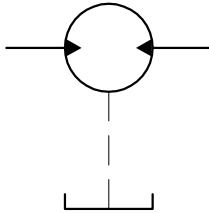


Symbol



drain conection
($P_{\text{drain}} < 0,5 \text{ bar}$)

(Always connect directly
to the tank)

I – variants

Variants:

...X563M - for M ports (see the picture I and the table below);

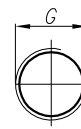
...X563G - for G ports (see the picture I and the table below);

...X563U - for U ports (see the picture I and the table below).

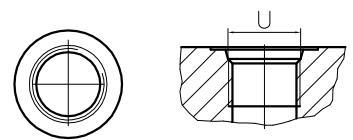
Variant M



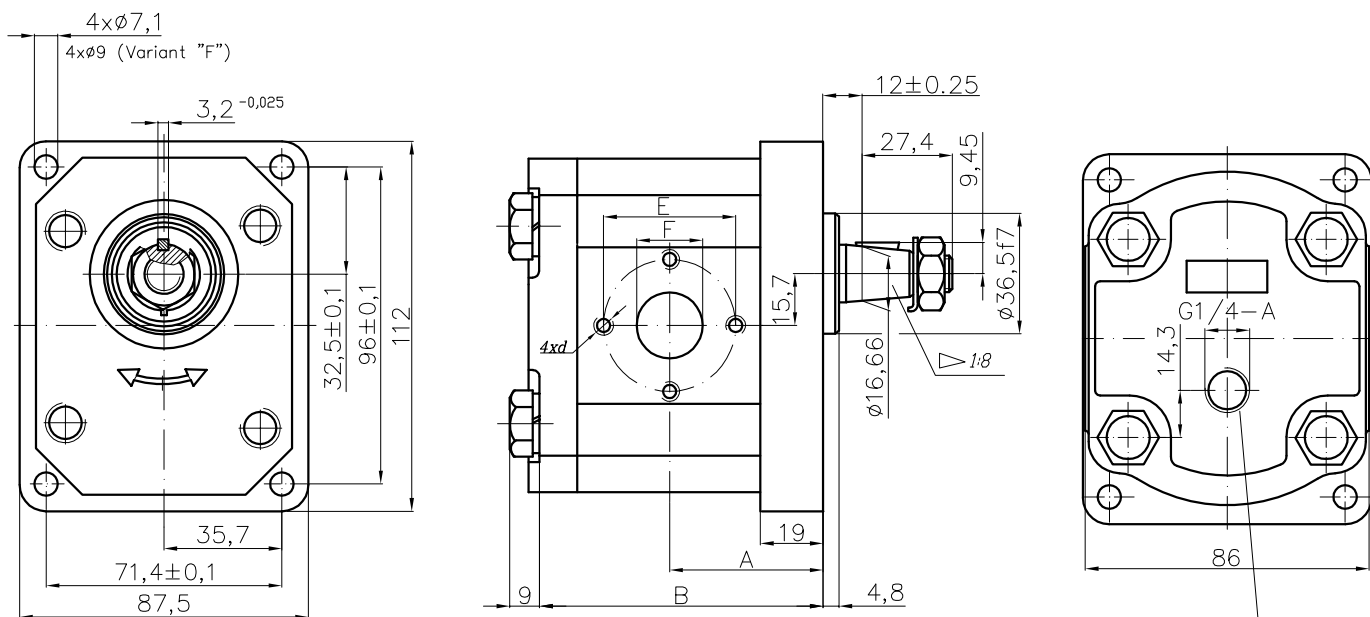
Variant G



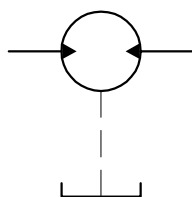
Variant U (SAEJ475 (ISO R725))



Type	Displacement q, [cm ³]	Pressure P _{max} , [bar]	Speed n, [мин ⁻¹]	Dimensions							
				A mm	B mm	Inlet			Outlet		
						M mm	G mm	U mm	M mm	G mm	U mm
10MR1,6X563...	1,6	210	750...3500	40,3	83,6±0,1	M16x1,5	G3/8-A	3/4-16UNF-2B	M16x1,5	G3/8-A	3/4-16UNF-2B
10MR2X563...	2	210	750...3500	41,1	85,2±0,1						
10MR2,5X563...	2,5	210	750...3500	42,1	87,2±0,1						
10MR2,65X563...	2,65	210	750...3500	42,4	87,7±0,1	M20x1,5	G1/2-A		M20x1,5	G1/2-A	
10MR3,15X563...	3,15	210	750...3500	43,5	89,8±0,1						
10MR3,65X563...	3,65	210	750...3500	44,4	91,9±0,1						
10MR4,2X563...	4,2	210	750...3500	45,5	94,1±0,1	M22x1,5	G1/2-A	M22x1,5	G1/2-A	7/8-14UNF-2B	
10MR4,7X563...	4,7	210	750...3500	46,05	96±0,1						
10MR5X563...	5	210	750...3500	47,1	97,2±0,1						
10MR5,7X563...	5,7	200	750...3000	48,5	100,1±0,1	M22x1,5	G1/2-A	M22x1,5	G1/2-A	7/8-14UNF-2B	
10MR6,1X563...	6,1	200	750...3000	49,4	101,8±0,1						
10MR7,4X563...	7,4	180	750...2500	52,1	107,2±0,1						
10MR8X563...	8	150	750...2500	53,4	109,7±0,1	M22x1,5	G1/2-A	M22x1,5	G1/2-A	7/8-14UNF-2B	
10MR8,5X563...	8,5	150	750...2500	54,4	111,7±0,1						
10MR9,8X563...	9,8	120	750...2000	57	117±0,1						

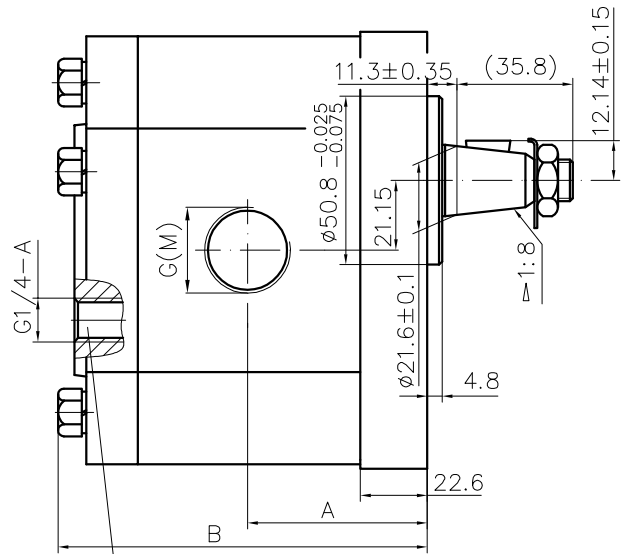
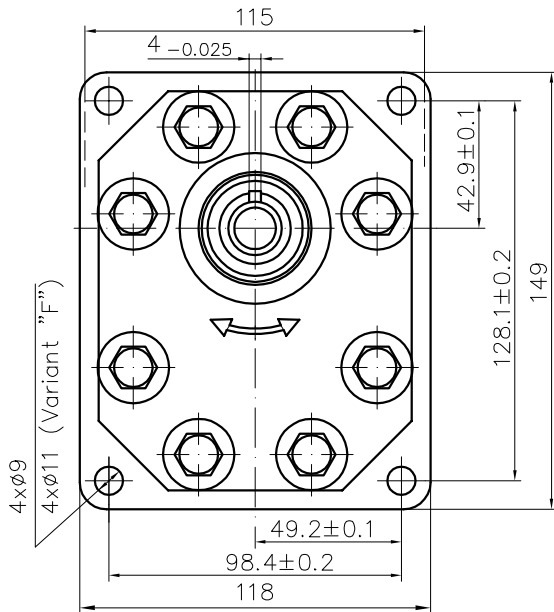


Symbol



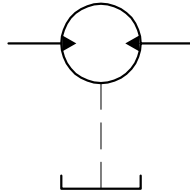
Type for 4xØ9:
20MR...X546F

Type	Displacement q ,[cm ³]	Pressure Pmax, [bar]	Speed n ,[min ⁻¹]	Dimensions							
				A	B	Inlet			Outlet		
						E	F	d	E	F	d
mm	mm	mm	mm	mm	mm	mm	mm	mm	mm		
20MR6,3X546	6,3	200	650...3500	44	83±0,1	30,2±0,1	13,1±0,1	M6-6H	30,2±0,1	13,1±0,1	M6-6H
20MR8,2X546	8,2	200	650...3500	45,5	85,9±0,1						
20MR10X546	10	200	650...3500	47	89±0,1						
20MR11X546	11	200	650...3500	48	91,1±0,1	39,7±0,1	19±0,1	M8-6H	39,7±0,1	19±0,1	M8-6H
20MR12X546	12	200	650...3500	48,6	92,3±0,1						
20MR14X546	14	200	650...3500	50	95,4±0,1						
20MR15X546	15	200	650...3500	51	96,9±0,1						
20MR16X546	16	200	650...3500	52	98,6±0,1						
20MR19X546	19	180	650...2500	54	103,5±0,1						
20MR22X546	22	180	650...2500	57	108,5±0,1	30,2±0,1	13,1±0,1	M6-6H	30,2±0,1	13,1±0,1	M6-6H
20MR25X546	25	160	650...2000	59,2	113,4±0,1						
20MR14X546A	14	200	650...3500	50	95,4±0,1						



drain connection ($P_{\text{drain}} < 0,5 \text{ bar}$)
(Always connect directly to the tank)

Symbol



Type for 4xØ11:
30MR...X568HG(M)F

Type	Displacement cm ³	Pressure Pmax, [bar]	Speed n [min ⁻¹]	Dimensions					
				A	B	Inlet		Outlet	
						M	G	M	G
				mm		mm	"	mm	"
30MR22.5X568HG(M)	22.5	200	500 ... 2500	57.6	119.7	M27x1.5	G3/4-A	M27x1.5	G3/4-A
30MR25X568HG(M)	25	200	500 ... 2500	58.3	121.1	M27x1.5	G3/4-A	M27x1.5	G3/4-A
30MR28X568HG(M)	28	200	500 ... 2500	60.2	124.7	M27x1.5	G3/4-A	M27x1.5	G3/4-A
30MR32X568HG(M)	32	200	500 ... 2500	66.5	137.3	M33x1.5	G1-A	M33x1.5	G1-A
30MR36X568HG(M)	36	200	500 ... 2300	68	140.5	M33x1.5	G1-A	M33x1.5	G1-A
30MR42X568HG(M)	42	200	500 ... 2300	70.8	146.1	M33x1.5	G1-A	M33x1.5	G1-A
30MR46X568HG(M)	46	200	500 ... 2100	72.7	149.8	M33x1.5	G1-A	M33x1.5	G1-A
30MR50X568HG(M)	50	200	500 ... 2100	74.5	153.4	M33x1.5	G1-A	M33x1.5	G1-A
30MR55X568HG(M)	55	200	500 ... 1750	76.7	157.9	M33x1.5	G1-A	M33x1.5	G1-A
30MR60X568HG(M)	60	180	500 ... 1750	78.7	162.4	M33x1.5	G1-A	M33x1.5	G1-A