

GAMING

CAPTRON
TECHNOLOGIES

series4x
Flexible Human Machine Interface



EN

IO-Link

CS
US

ALL-IN-ONE SWITCH: STATUS, SIGNAL AND 7-SEGMENT DISPLAY IN ONE

Increasing automation of production processes in industrial manufacturing requires all steps to run smoothly. Which also applies to the interplay between manual operation and automatic processes. This is why all components should be adapted to everyday life in Industry 4.0 – and needs to be compatible across different manufacturers.

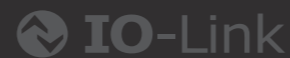
The CANEO series4x presents the ideal solution for these requirements. With a large touch surface that ensures simple, intuitive operation and maximum function, even when actuated frequently during production processes. The innovative lighting concept of the configurable LED ring makes it possible to assign one of around 16 million luminous colors to individual users, show brief instructions or countdown texts on the display or to adjust the brightness to the environment.

Combining the option to easily configure settings, along with the hardware advantages of status, signal, and 7-segment display all in one switch; CANEO series4x can be easily integrated into HMI applications and modern system controls. This makes the product line ideal for a very wide range of Industry 4.0 applications.

For maximum hygiene standards, the cover-rings are also available in a stainless steel version. As they are resistant to basic and chemical cleaning agents, they are particularly suited to being sterilized.



FLEXIBLE USE WITH OR WITHOUT IO-LINK



Through modern, digital communication interfaces, IO-Link improves various machine functions with the potential to sustainably boost company efficiency and productivity. This is why we at CAPTRON rely on this trend-setting technology.

All products from CANEO series4x are IO-Link capable from the factory. Depending on your requirements, CAPTRON will take care of preconfigurations at no additional cost.

Therefore configuration on-site is no longer required, but still possible with IO-Link Master.

The switches can also be used without IO-Link: The LEDs can be actuated via inputs depending on the configuration. The outputs meet industry standards (PNP, NPN, push-pull). On request, we provide you with the IO-Link Master for reprogramming on a USB stick (PC required).

HMI IN A MODERN DESIGN FOR INTELLIGENT WORK ENVIRONMENTS

The new HMI standard capacitive switch combines innovative design with the possibility to freely configure all function parameters via IO-Link – from touch sensitivity, to minimum actuation time to choosing the right luminous color from 16 million options. As a result, the CANEO series4x can be flexibly integrated into networked environments, offering huge advantages for all HMI applications in different areas, ranging from industrial automation, engineering, and robotics, all the way to building technology. All variants are available with a printed symbol or 7-segment display as a standard.



DISPLAY AND SWITCH IN ONE

CANEO series4x features a customizable display that also acts as a switch and can provide different functions. For example, thanks to its innovative lighting concept of 16 million luminous colors and free selection of symbols and pictograms, the switches offer numerous options for tailoring the CANEO series4x displays to your individual needs.



DISPLAY NUMBERS AND SHORT TEXTS ON THE TOUCH BUTTON

A large 7-segment display can show different numbers and custom text messages on the integrated touch button. This gives you a compact, easy-to-integrate control unit and display for numbers or texts with up to four characters/letters. Scrolling texts and timers can be mapped even without a PLC: Countdown, limited count-up and unlimited count-up (max. 9999 seconds).



CAPACITIVE TECHNOLOGY SAVES TIME AND MONEY FOR MAINTENANCE AND EXCHANGE

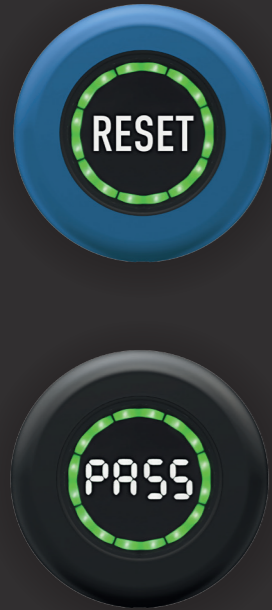
Capacitive technology allows users to activate the switch with zero actuation force and by simply touching the sensor. It also offers an extremely robust and durable hardware, with more than 100 million switching cycles. The electronics are completely encapsulated, preventing dust and dirt from entering the housing. This saves time and money for maintenance and exchange. When it comes to production processes with frequent sensor switch actuation, the large touch surface simplifies operation.



CAN BE INTEGRATED IN ANY SYSTEM ARCHITECTURE

CANEO series4x switches can be flexibly integrated into networked Industry 4.0 environments. They offer crucial advantages for all HMI applications, from industrial automation, to engineering, to robotics, all the way to building technology. The switches can also be actuated via various interfaces (PNP, NPN, push-pull) without IO-Link.

CANEO SERIES41 STANDARD
CANEO SERIES41 STANDARD DISPLAY



BASIC MODEL WITH COLOR COVER RING AND SCREW INSTALLATION

Thanks to its custom configuration options, this standard switch can be ideally adapted to any work environment. With its concealed cable routing, it can be easily integrated into any machine park. If necessary, a colour cover ring can be selected. The CANEO series41 Standard Display variant features a 7-segment display.



CANEO SERIES40 PUCK
CANEO SERIES40 PUCK DISPLAY



COMPACT SWITCH FOR ANY WORK ENVIRONMENT

The slim profile of the CANEO series40 Puck can be easily installed onto small surface areas and offers concealed cable routing. Suitable for fastening in mounting holes with a diameter of 22.5 mm and is fastened with a knurled nut via a thread. The CANEO series40 Puck Display variant features a 7-segment display.



CANEO SERIES41 SOLID
CANEO SERIES41 SOLID DISPLAY

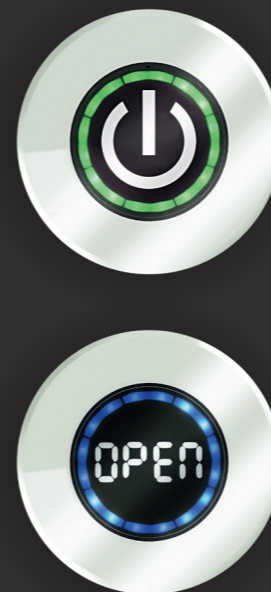


HIGH RESISTANCE AND EASY INSTALLATION

The robust Solid variant of CANEO series41 features an aluminium housing that enables easy installation. Thanks to its processing, the switch is also capable of withstanding use in high-frequency environments. The CANEO series41 Solid Display variant features a 7-segment display.



CANEO SERIES43 HYGIENIC
CANEO SERIES43 HYGIENIC DISPLAY



CERTIFIED, HYGIENIC, SAFE – IDEAL IN BUILDING TECHNOLOGY

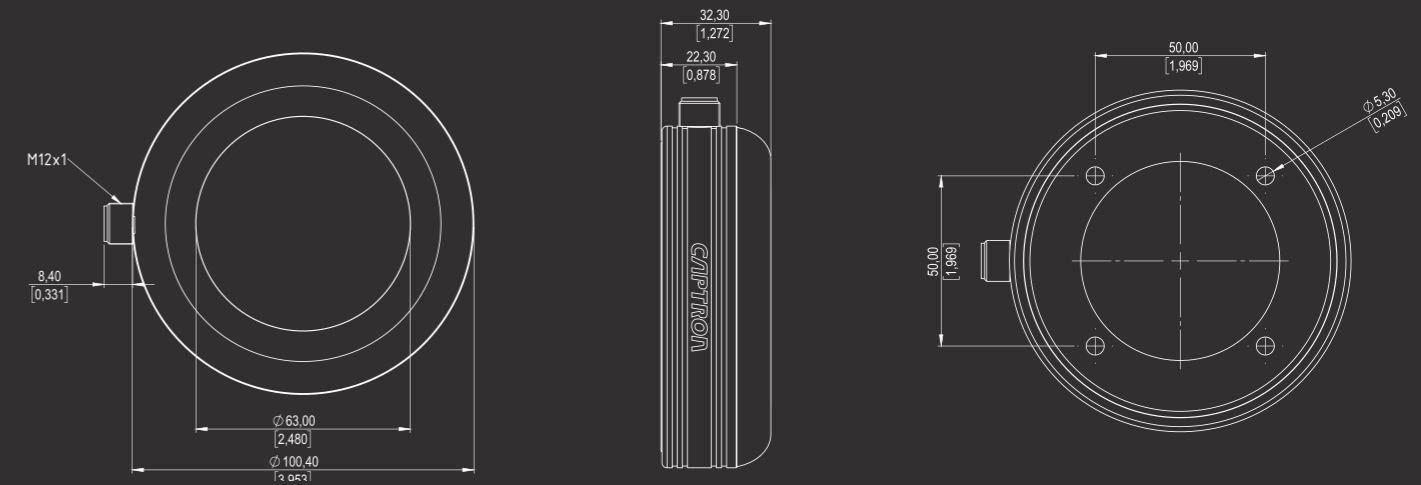
Featuring a glass switch surface, the CANEO series43 Hygiene variant is attached to the surface via adhesive mounting. It is easy to clean, making it the perfect choice for building technology with high hygienic requirements, such as in cleanrooms, medical sector and pharmaceutical industry. The CANEO series43 Hygienic Display variant features a 7-segment display.



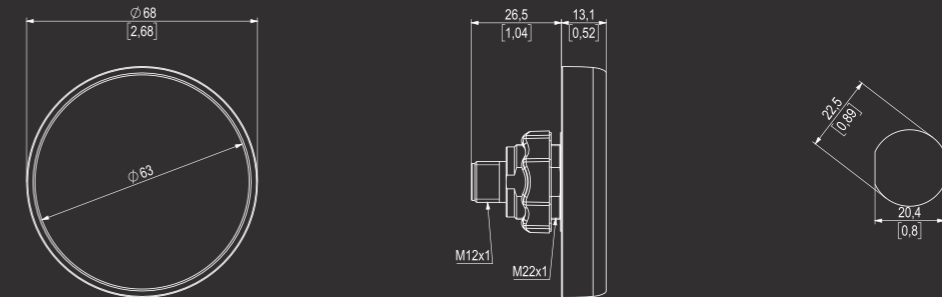
TECHNICAL DATA AT 24 V AND 20°C (68°F)

Operating voltage	DC 12 - 24 V (8.4 to 28.8 V)
Max. load current	200 mA
Output	PNP-NO, PNP-NC, NPN-NO, NPN-NC, push-pull
Communication interface	IO-Link specification V1.1
Control voltage	E1/E2 on 80% UV+ off 0 to 20% UV+
Duration of output pulse	Adjustable
Reverse polarity protection	Protects all cables
Short circuit protection	Protected against short circuit and overload
Voltage drop	Max. 2.5 V at 200 mA load current
Power consumption at 24 V	Max. 90 mA
Operating temperature	-25°C (-13°F) to +50°C (122°F)
Protection class IP	Front side IP69K max. surface unevenness <0.2 mm
Protection class IK	IK08
Type of actuation	Capacitive
Type of actuation	Touch
Actuating force	No actuating force necessary
Standards	DIN EN 61010 / DIN EN 60947-5-1
Housing material (variant dependent)	PC transparent, PC colored / glass, PC transparent, PC coloured / PC transparent, PC colored, aluminium black anodised / PC transparent, PA black

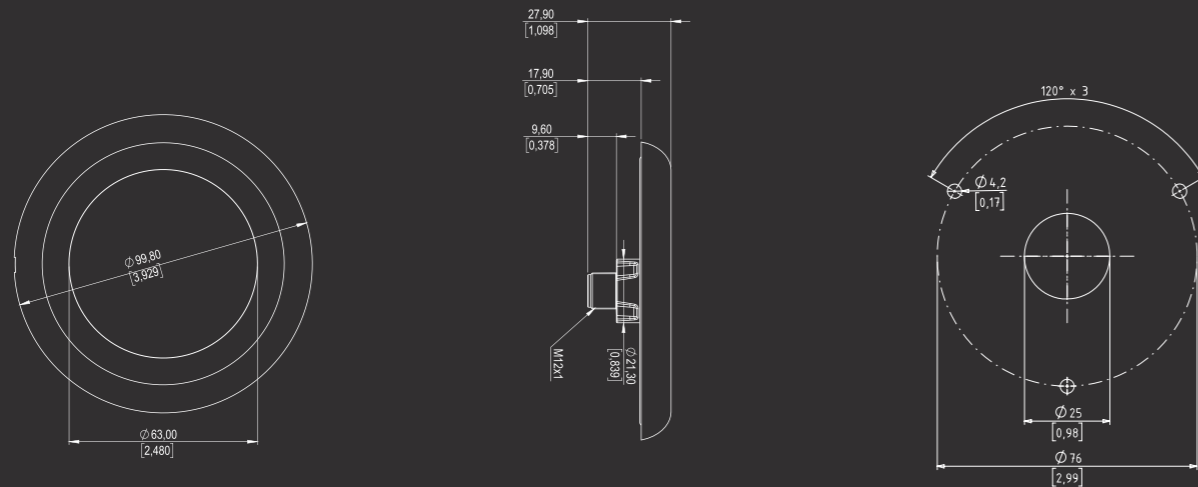
CANEO series41
Solid



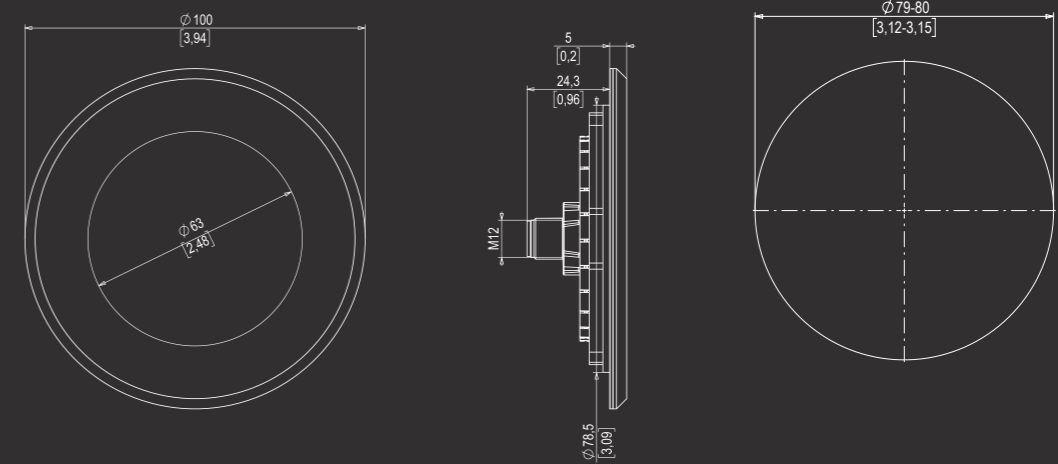
CANEO series40
Puck



CANEO series41
Standard



CANEO series43
Hygienic



All dimensions in mm. Imperial measurements in brackets.
Connection cable M12 available as an accessory part.



Get to know the CANEO series10, the little brother of the CANEO series4x with minimal space requirements and maximum 360° visibility.

HQ / Sales Germany
CAPTRON Electronic GmbH

Johann-G.-Gutenberg-Str. 7
82140 Olching, Germany
Telephone: +49 (0)8142 - 44 88 - 160
sales@captron.com

www.captron.com

