

The simplest ideas are often the best

Revolutions in Sanitary and Hygienic Pumps

The range to meet your sanitary product transfer requirements



We lead where others follow

Flotronic Pumps Limited has been innovating and manufacturing air-operated double-diaphragm pumps since 1981. We invented and introduced the unique 'ONE-NUT' concept which has now been used to revolutionise sanitary product transfer. Rapid pump disassembly, cleaning and maintenance is made simple to meet your needs.

Designed to reduce down time and cleaning costs, Flotronic pumps help you maintain and even improve sanitary levels on site, while preventing wastage with less 'hold up' of product.

You will find Flotronic 'ONE-NUT' sanitary pumps at work throughout the food, beverage, brewing, pharmaceutical, cosmetic industries. We lead where others follow.

FDA / Hygienic

Manufactured from FDA and USP Class VI approved materials.



The Flotronic Slimline (hygienic) range offers a versatile and robust answer to your liquid transfer needs. Machined from solid materials with a choice of stainless steel or Hastelloy® these fully drainable slimline pumps are designed for hygienic applications.

Sanitary

3A & EHEDG accredited / tested range of Sanitary Pumps.

Manufactured from FDA and USP Class VI approved materials.



The ultimate in hygienic product transfer. Peace of mind for food, beverage, dairy and pharmaceutical industries. The Flotronic 3A and EHEDG pumps are the match for any environment or process where avoidance of product contamination is paramount.

Sanitary Style

Design based on our fully accredited Sanitary range of pumps.

Manufactured from FDA and USP Class VI approved materials.



Need a Sanitary pump with the ability to customise the pump to your exact requirements.

The Flotronic Sanitary Style pump is the answer.

Fully drainable with or without pump inversion.

With or without leak detection systems.

The Flotronic Slimline Range

Efficient and adaptable hygienic metal pumps

Liquid transfer made easy

The Flotronic Slimline range offers a versatile and robust answer to your liquid transfer needs. Machined from solid materials with a choice of aluminium, stainless steel or Hastelloy[®] these fully drainable slimline pumps are designed for applications where hygiene is paramount.

Hygienic - Cosmetic & Personal Care - Pharmaceutical - Food & Beverage - Sanitary

The ultimate performance

Flotronic's Slimline pumps are more compact than competitor AODD pumps but are equally capable, while offering a compact design where space is limited.

- **'ONE-NUT' technology with fully drainable body for ease of maintenance throughout. Readily accessible ball valves with pump air-valve easily maintained when in-line**
- **Easy cleaning for hygienic applications with crevice free design and no internal welding**
- **A range of ½" to 3" connections with 7", 10" or 12" diameter diaphragms for in-line adaptability Screwed, hygienic or flanged connections**
- **Diaphragm Rupture Protection and fully pneumatic alarm systems available**
- **Optional high temperature diaphragm**
- **Self priming 3.6m/12ft dry and 8m/26ft wet.**

Reduce down time and cleaning costs

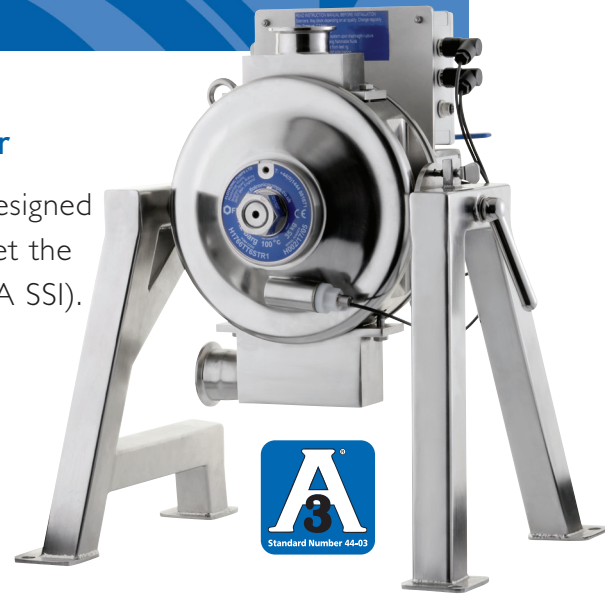
- **Fully drainable body**
- **Transfer an extensive variety of materials**
- **Surface finish to customer specification**
- **Outside surfaces easily cleaned**
- **Optional hot water/steam jacket.**



The Flotronic 'H' Series

Authorised pumps for sanitary product transfer

The Flotronic Pumps' 'H' Series pumps have been designed for processes where hygiene is a priority and to meet the exacting standards of 3-A Sanitary Standards Inc (3-A SSI). The pumps offer exceptional benefits to the food, beverage and pharmaceutical industries and any environment where sanitary integrity is essential. Flow rates range from up to 100 litres per minute to as high as 500 litres per minute depending on the pump and requirements.



Dairy - Food & Beverage - Pharmaceutical - Cosmetics & Personal Care

Cleaned in Place couldn't be easier

All 'H' Series pumps can be thoroughly Cleaned in Place (CIP). The 7" and 10" pumps have a support stand allowing rotation of the pump for easy and effective media cleaning. The 12" pump fully drains while upright with check ball valve seats allowing drainage without inversion.

- **'H' Series pumps meet the high 'cleanability' standards demanded by 3-A SSI including ease of cleaning for all product contact and non-product contact parts**
- **'ONE-NUT' design is integral to 'H' Series allowing maintenance in minutes**
- **Parts and raw materials are of the highest quality and provenance certified**
- **Electro-polished finish 0.8µm Ra maximum on wetted surfaces**
- **Reduce down time and cleaning costs and improve sanitary levels.**

Reinforced diaphragm and rupture detection

Unique to Flotronic, the 'H' Series pumps can be fitted with diaphragms which are reinforced.

- **Pumps can withstand CIP/SIP pressures up to 6 bar in the suction line**
- **Cleaned in Place using fully automated CIP units, no need to bypass**
- **Rupture detection system with alarm and instant shutdown to avoid product contamination**
- **All 'H' Series pumps are available with the option of BS, DIN or ISO hygienic connections.**

Flotronic 'One - Nut' pumps - The simplest ideas are often the best

The Flotronic 'E' Series

The ultimate in hygienic product transfer

Peace of mind for the food, beverage, dairy and pharmaceutical industries. The Flotronic 'E' Series pumps are tested to exacting performance standards by EHEDG, the European Hygienic Engineering & Design Group. These pumps are the match for any environment or process where avoidance of product contamination is paramount. Flow rates from mid-range to as high as 500 litres per minute.

Dairy - Food & Beverage - Pharmaceutical - Cosmetic & Personal Care

Designed for ease of cleaning

Featuring Flotronic's unique 'ONE-NUT' pump design the 'E' Series pumps have been designed for ease of cleaning for all product contact and non-product contact parts. The design allows swift diaphragm access without disconnecting process pipework, enabling Clean in Place (CIP) and maintenance to reduce down time and cleaning costs.

- Meeting EHEDG standards for sanitary product transfer
- 10" and 12" versions are EHEDG accredited
- Clean in Place design
- Flotronic's 'ONE-NUT' technology
- Standard finish of 0.8µm Ra or better on wetted surfaces with electro-polished overall finish to aid pump cleaning.

Advanced technology as standard

The Flotronic 'E' Series pumps feature diaphragms which are reinforced as standard. Reinforcing plates add support to ensure the pumps can withstand CIP/SIP pressures up to 6 bar in the suction line.

- 10" 'E' Series pumps have a support stand allowing rotation of the pump for easy and effective media draining
- 12" 'E' Series pumps have check ball valve seats with added recess to allow drainage without inversion
- Mid-range flow rate applications up to as high as 500 litres per minute
- All 'E' Series pumps available with option of BS, DIN or ISO hygienic connections.



The Flotronic 'S' Series

Sanitary slim pumps for optimum liquid transfer

The Flotronic Pumps' 'S' Series is designed to offer flexible sanitary solutions for media transfer in a wide range of industries. More compact but equally capable, these pumps are especially suitable to applications where hygienic integrity is essential and Cleaning in Place a standard requirement.

Hygienic - Chemical - Cosmetic & Personal Care - Paints - Pharmaceutical - Adhesive - Food & Beverage - Sanitary

Flexible 'Clean in Place'

Fully drainable, the 'S' Series 12", 10" and 7" pumps have a modified seat option which allows CIP liquids to drain back through the pump while it remains in the upright position.

- **'ONE-NUT' technology with fully drainable body for ease of maintenance throughout. Readily accessible ball valves with pump air-valve easily maintained when in-line**
- **Slimline design ideal where space is limited**
- **Outside surfaces can be easily cleaned**
- **Readily accessible ball valves**
- **Choice of materials including Stainless Steel and Hastelloy®**
- **Reduce downtime and cleaning costs.**

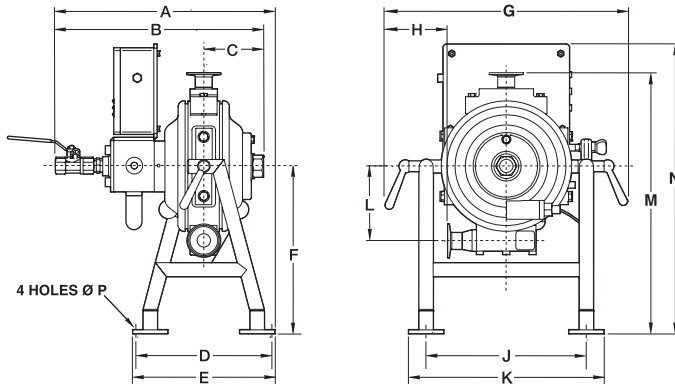


Performance to match your requirements

- **A range of ½" to 3" connections with 7" or 10" diameter diaphragms for in-line adaptability. Screwed, hygienic or flanged connections**
- **Easy cleaning for hygienic applications with crevice free design and no internal welding**
- **Diaphragm Rupture Protection and fully pneumatic alarm systems available**
- **Transfer an extensive variety of materials across a range of industries.**

Flotronic 'One - Nut' pumps - The simplest ideas are often the best

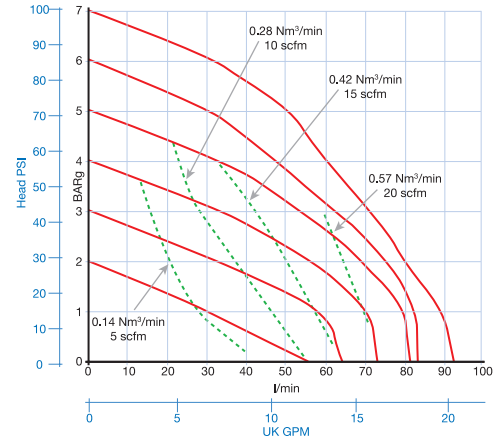
Technical Data



Maximum operating pressure 7.2 bar (105 PSIG)

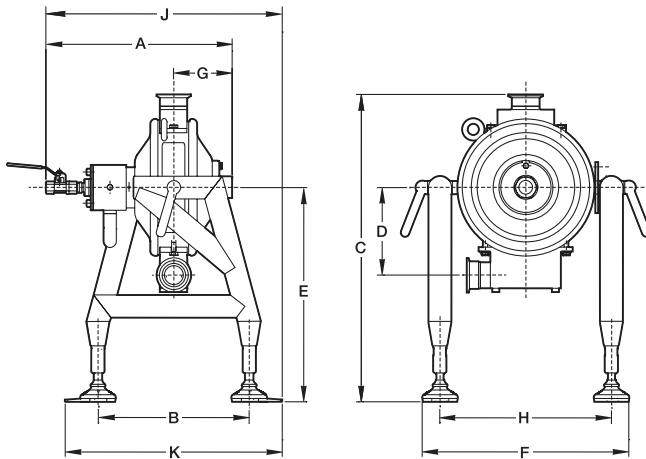
Flow Rate 7" diameter diaphragm

1"



'H' Series 3-A Pump																
Size	A	B	C	D	E	F	G	H	J	K	L	M	N	P	Wt/kg	Diaphragm Diameter
1"	329	312	89	198	213	250	364	88	240	293	111	391	434	7	23	7"

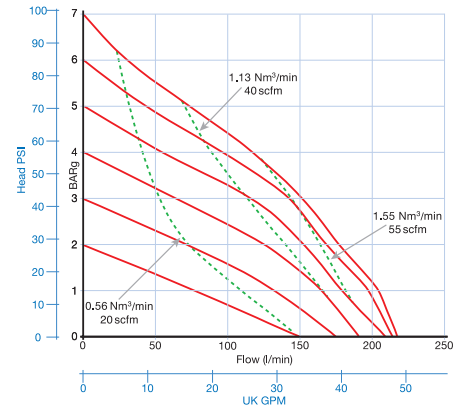
Dimensions in mm



Maximum operating pressure 7.2 bar (105 PSIG)

Flow Rate 10" diameter diaphragm

2"

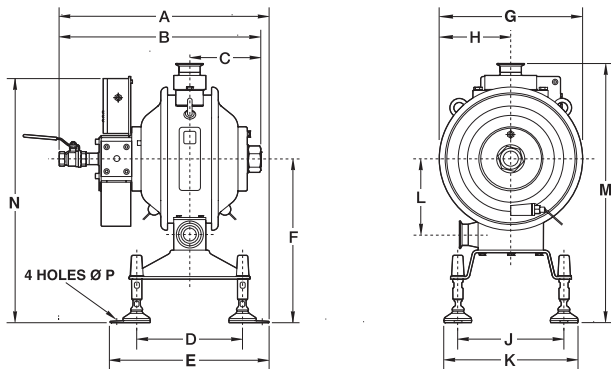


'E' Series EHEDG Pump														
Size	A	B	C	D	E	F	G	H	J	K	Wt/kg	Diaphragm Diameter		
1 1/2"	345	280	570	162	397	383	108	318	438	402	36	10"		

Dimensions in mm



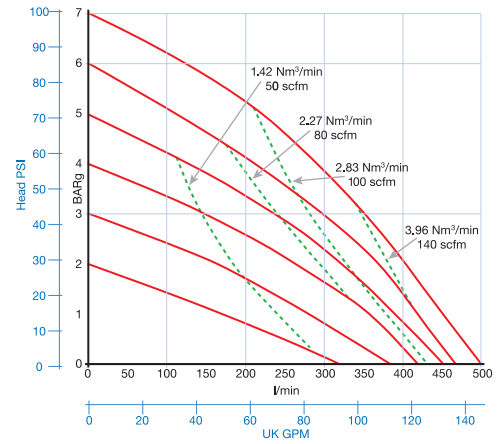
Technical Data



Maximum operating pressure 7.2 bar (105 PSIG)

Flow Rate 12" diameter diaphragm

3"



'H' Series 3-A Pump																
Size	A	B	C	D	E	F	G	H	J	K	L	M	N	P	Wt/kg	Diaphragm Diameter
1½"/2"/3"	495	479	170	343	372	389	340	123	250	313	180	616	585	15	75	12"

Dimensions in mm

Flotronic Pumps Limited.

Ricebridge Works, Brighton Road, Bolney, West Sussex RH17 5NA. UK

Tel: +44 (0)1444 881871 Fax: +44 (0)1444 881860

E-mail: sales@flotronicpumps.co.uk Web: www.flotronicpumps.co.uk

For authentic Flotronic pump spares go to: www.flotronicspares.co.uk

Hastelloy® is a registered trademark of Haynes International.

'Flotronic' is a UK registered trade mark.

Specifications subject to change without notice.



Certificate No. 6597



Flotronic 'One - Nut' pumps - The simplest ideas are often the best