

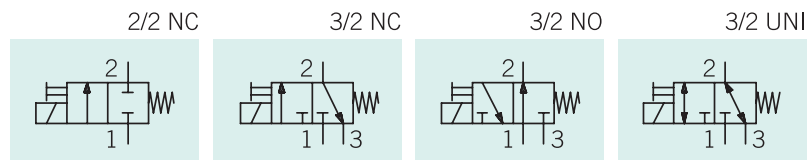
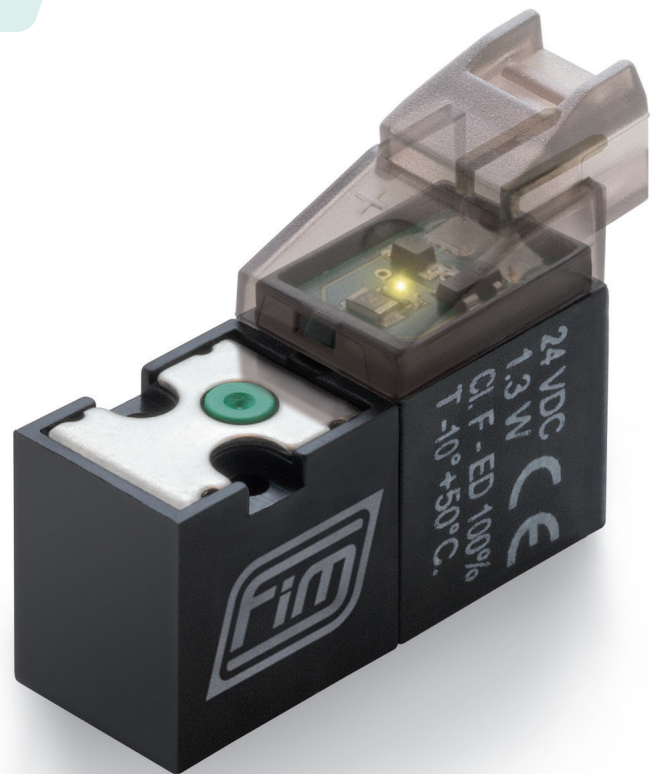


ITALIAN QUALITY AND FLEXIBILITY

E.V. 10 mm 3/2 ISO

The most compact design in the market
High flow-to-orifice size ratio

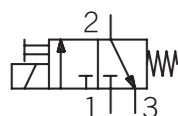
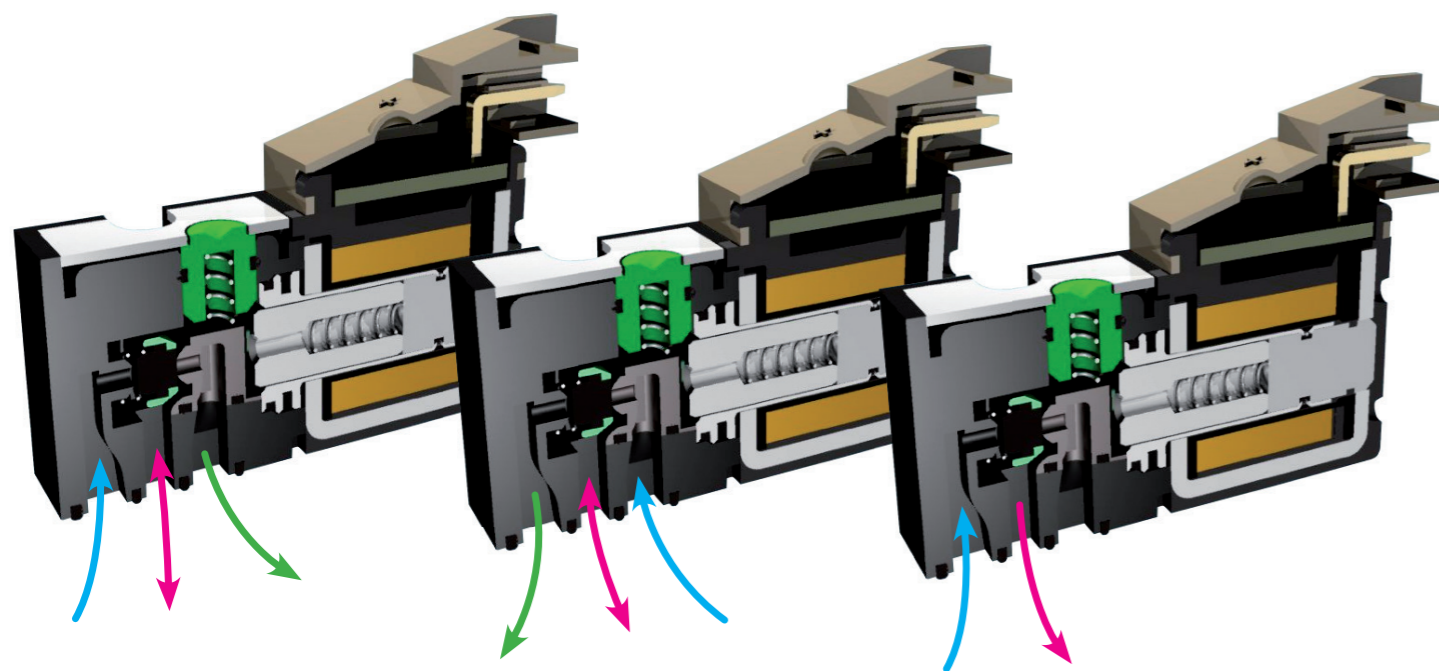
Il design più compatto sul mercato
Elevato rapporto portata/diametro ugello



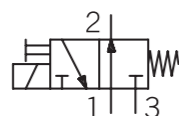
Monostable solenoid valve consists of an insulated copper wire class F (155°C) wound coil injection encapsulated with a glass fiber reinforced polyamide polymer and an independent valve body "click" separable.

This patented design solution allows to keep mechanical and electric parts separated guaranteeing greater ruggedness, reliability, consistency of performance and flexibility, making FIM competitive and the reference point on the market.

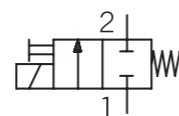
Microvalvola monostabile a solenoide costituita da una bobina avvolta con filo di rame smaltato classe F (155°C) ed inglobata ad iniezione con tecnopolimero polyammide caricato fibra vetro e da un corpo valvola indipendente separabile a "click". Questa soluzione costruttiva brevettata consente di mantenere separate la parte meccanica da quella elettrica garantendo maggiore robustezza, affidabilità, costanza di prestazioni e flessibilità produttiva che rendono FIM competitiva e punto di riferimento sul mercato.



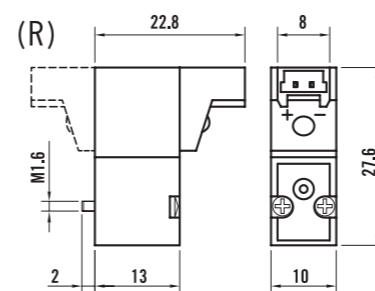
3/2 N.C.
(Normally closed)
(Normalmente chiusa)



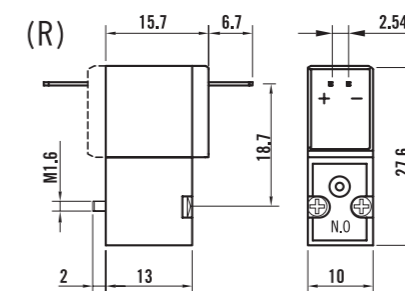
3/2 N.O.
(Normally open)
(Normalmente aperta)



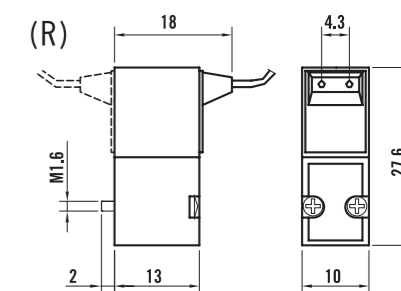
2/2 N.C.
(Normally closed)
(Normalmente chiusa)



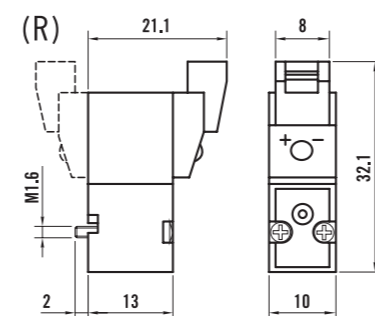
90° CONNECTOR
CONNETTORE 90°



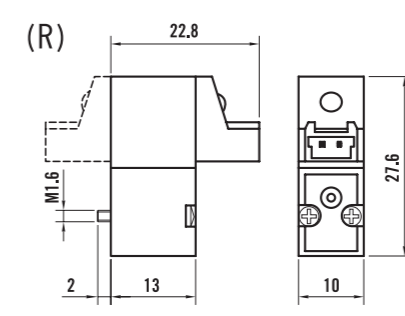
PCB MOUNTING PINS
PIN USCENTI



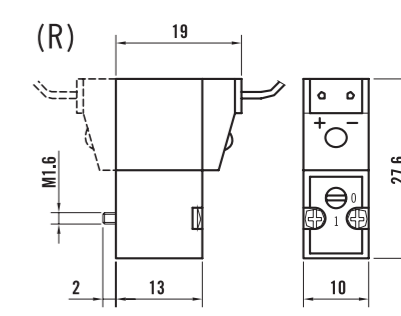
ENCAPSULATED CABLES (NO PCB)
CAVI INGLOBATI (NO ELETTRONICA)



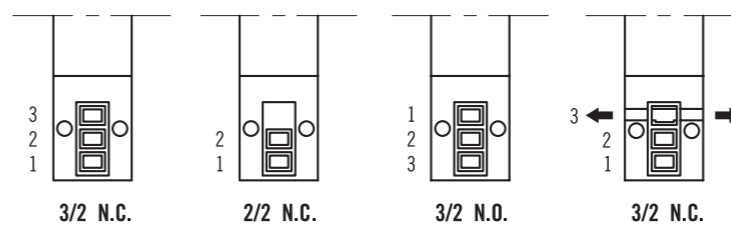
LINE CONNECTOR
CONNETTORE LINEA



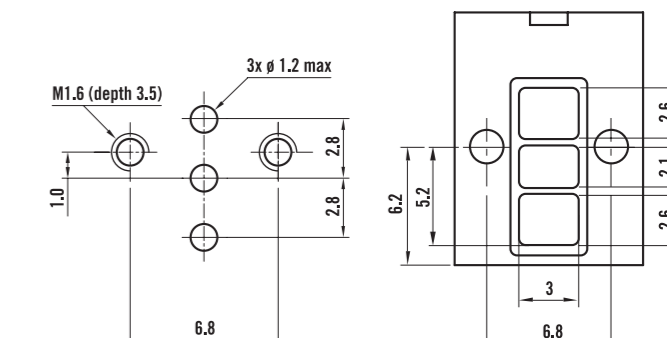
180° CONNECTOR FOR AC
CONNETTORE 180° PER AC



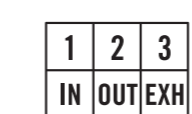
PCB COVER CAP + CABLES
CUFFIA + CAVI



3/2 N.C. **2/2 N.C.** **3/2 N.O.** **3/2 N.C. FREE EXHAUST**
SCARICO LIBERO



SUGGESTED SUBBASE **PNEUMATIC INTERFACE**
(ACCORDING TO ISO:15218)



TECHNICAL SPECIFICATIONS

10 mm ISO

	1.3 W Ø 0.7 mm (N.C.)	1.3 W Ø 0.7 mm (N.O.)	3.5/0.9* 3.5/0.3** W Ø 1.1 mm (N.C.)
Working pressure [bar]	0 - 7 bar	0 - 7 bar	0 - 7 bar
Nominal orifice size Ø [mm]	0.7 (1→2) 1.0 (2→3)	0.7 (1→2) 0.8 (2→3)	1.1 (1→2) 1.3 (2→3)
Flow rate at 6bar Δ 1 bar [NI/min]	12 (1→2) 22 (2→3)	12 (1→2) 15 (2→3)	24 (1→2) 38 (2→3)
Response time (ISO 12238) [msec]	8 (ON) 10 (OFF)	8 (ON) 10 (OFF)	4 (ON) 6 (OFF)
Voltages DC [Volt]	6 - 12 - 24 V DC	6 - 12 - 24 V DC	12 - 24 V DC
Voltages AC 50/60 Hz [Volt]	24 V AC	24 V AC	-
Power [Watt]	1.3 W	1.3 W	3.5/0.9* 3.5/0.3** W
Voltage tolerance	±10%	±10%	±10%
Electrical insulation	1000 V AC	1000 V AC	1000 V AC
Coil insulation class	F (155° C)	F (155° C)	F (155° C)
Coil resistance tolerance	+/-5%	+/-5%	+/-5%
Fluid/ambient temperature	-10° / +50° C	-10° / +50° C	-10° / +50° C
Max working frequency [Hz]	30	30	10
Duty cycle	100% ED	100% ED	100% ED
Life expectancy	> 50 Million cycles	> 50 Million cycles	> 50 Million cycles
Fixing	2 screws M1.6	2 screws M1.6	2 screws M1.6
Weight	10 gr	10 gr	10 gr
Protection degree (IEC 60529)	IP65 (with cables) IP51 (with 90° or Line connector)		IP51

* 3.5 W pull-in (15msec) / 0.9 W holding (analogic voltage-drop system)

** 3.5 W pull-in (15msec) / 0.3 W holding (digital PWM system)

CODIFICATIONS

10 mm ISO

P3	FUNCTION	VOLTAGE / WATTAGE	/	(R)	ELECTRICAL CONNECTION	(MANUAL OVERRIDE OPTIONS)	(A)
	6 = 2/2 NC	1 = 24 Vdc 1.3 W		R = Rotated Coil 180°	1 = 90° Connector + Led & suppressor diode	2 = without manual override	A = Free exhaust (in atmosphere) 3/2 NC only
	7 = 3/2 NC	2 = 12 Vdc 1.3 W			2 = Encapsulated Cables 300 mm (IP65 no electronics)	() = push & release manual override (default)	
	8 = 3/2 NO	3 = 24 Vac 1.3 W			3 = Line Connector + Led & suppressor diode		
		4 = 6 Vdc 1.3 W			4 = 90° Connector without Led		
		6 = 5 Vdc 1.3 W			5 = Line Connector without Led		
		7 = 24 Vdc 0.9 W S.U. Analog			6 = PINs with flat cover without Led		
		9 = 12 Vdc 0.9 W S.U. Analog			7 = PINs with flat cover + Led & suppressor diode		
		A = 24 Vdc 0.3 W PWM Digital			8 = Cover cap + Cables 300 mm (IP51 with electronics)		
		B = 12 Vdc 0.3 W PWM Digital			9 = Spring contacts for PCB (upon inquiry)		
					14 = Cables 100 mm+Molex M. (p/n 51006-0200)		
					15 = Cables 100 mm+Tyco MODU II (p/n 280358-0)		
					18 = Cables 100 mm+Molex F. (p/n 51065-0200)		

Example: **P37A/1** = 10 mm ISO 3/2 NC Ø 1.1 mm 7 bar 24 Vdc 0.3 W (PWM) 90° Connector+Led P&R manual override

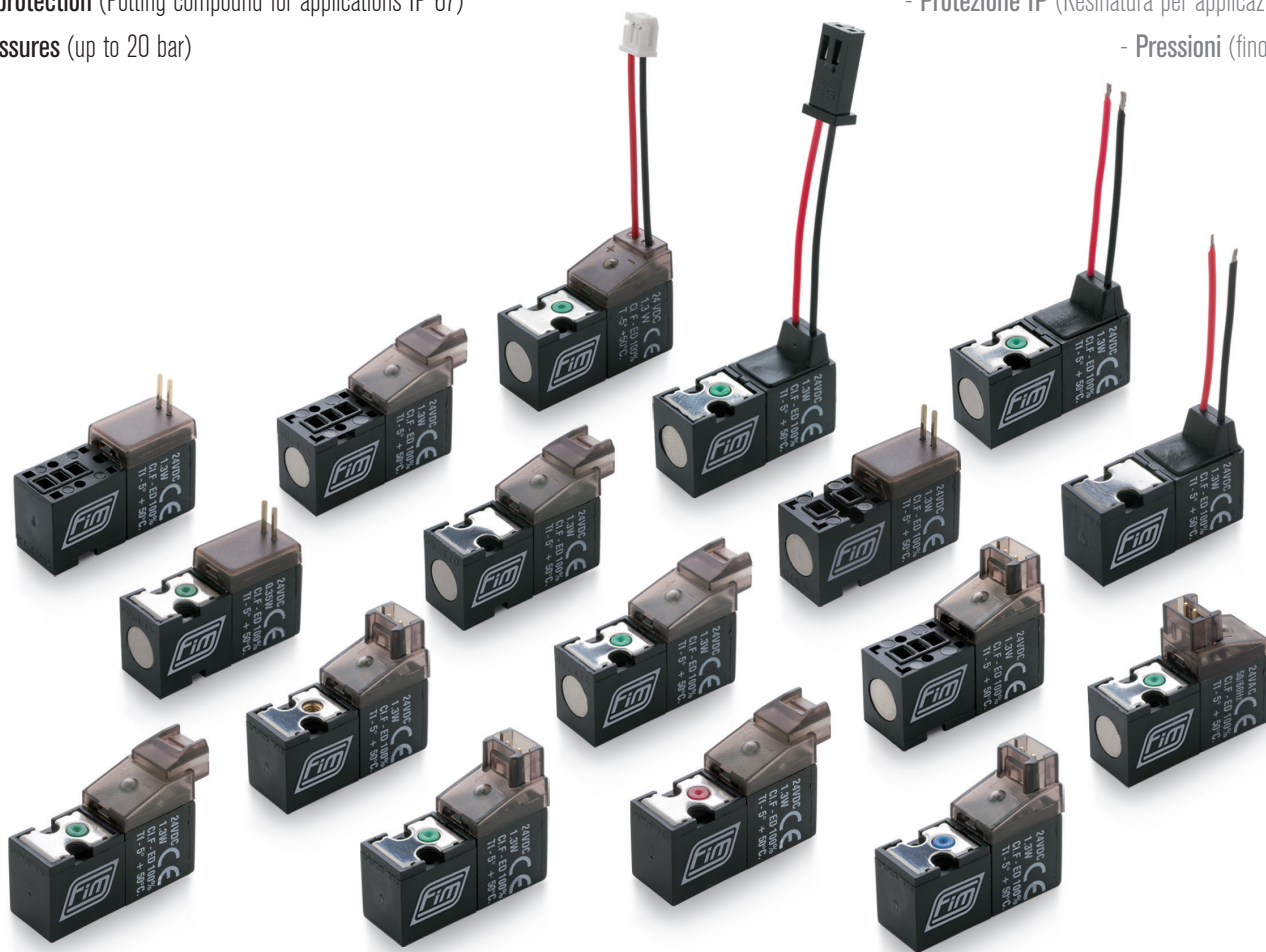


Customizations available on request

- Voltages (Volt)
- Powers (Watt)
- Electrical connectors (Molex, Tyco, Hirose, Jst)
- IP protection (Potting compound for applications IP 67)
- Pressures (up to 20 bar)

Personalizzazioni disponibili su richiesta

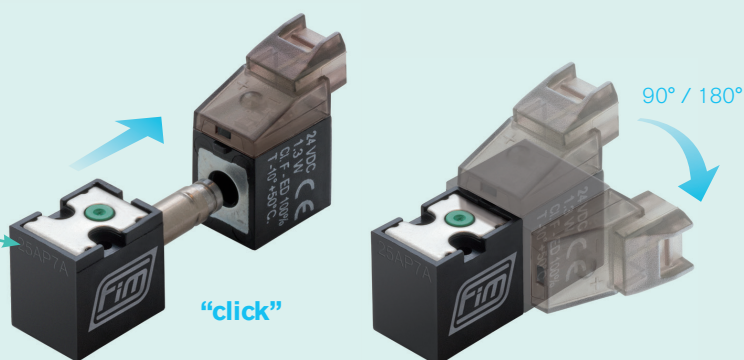
- Tensioni (Volt)
- Potenze (Watt)
- Connettori elettrici (Molex, Tyco, Hirose, Jst)
- Protezione IP (Resinatura per applicazioni IP 67)
- Pressioni (fino a 20 bar)



Some examples of 10 mm among the 500+ versions of the Standard and ISO Range
Alcuni esempi di valvole 10 mm tra le oltre 500 versioni della Gamma Standard e ISO

traceability code
codice di rintracciabilità

WW Y XXX
week year
...
Z=2012
A=2013
B=2014
C=2015
...



Coil can be rotated in any position with a "click" system
Bobina orientabile in ogni posizione con sistema a "click"

MODULAR
SYSTEM
PATENTED IN 1996

SISTEMA
COSTRUTTIVO
MODULARE
BREVETTATO DAL 1996



ITALIAN QUALITY AND FLEXIBILITY