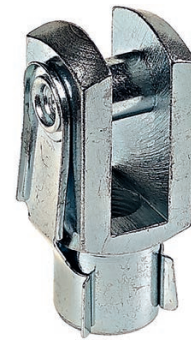


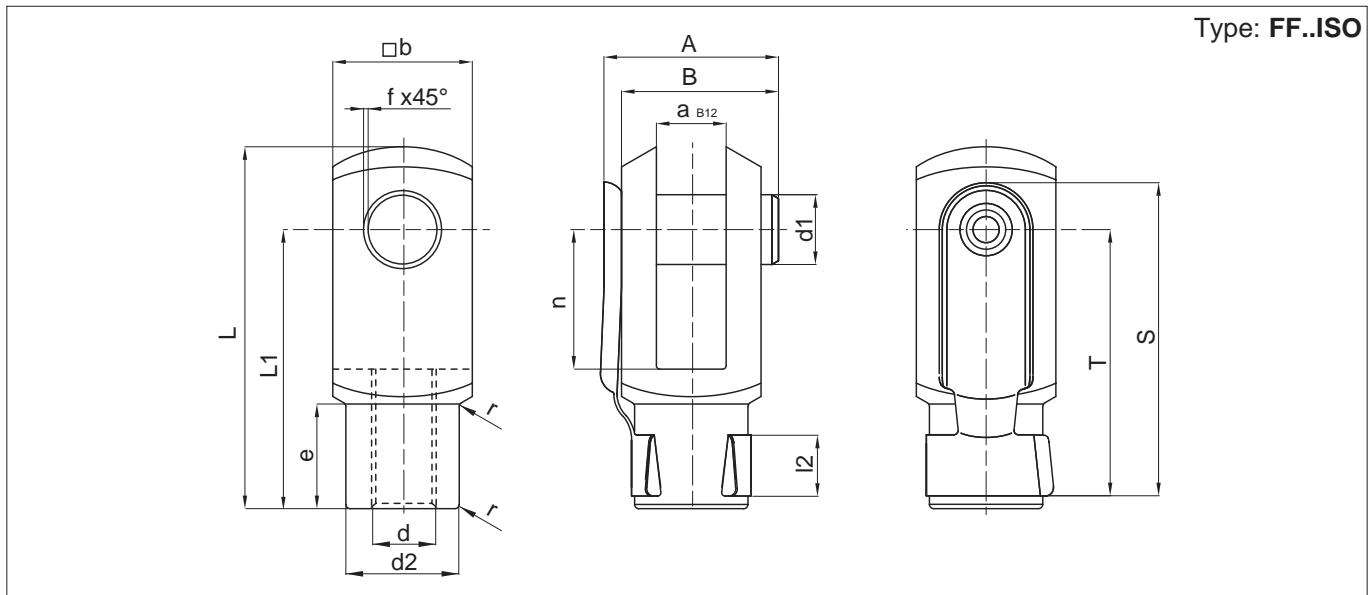
Standard executions		
Version	Symbol	Type
Female clevis with clip		FF..ISO
Female clevis with pin and seeger		FFP..ISO
Female clevis body only		FFN..ISO



Clevis conforming to ISO 8140 standards. The FF..ISO version is provided complete with clips, the FFP..ISO version is provided with a pin and 2 seegers, while for the FFN..ISO version is provided only the clevis body. The clevis is mounted on the cylinder rod and allows a swinging movement.

Options	Suffix
Special versions on request	/ S

Technical data	
Material	White zinc plated steel



Code	Item	For cylinder Ø mm	d	a	A	S	B	b	d1	T	L2	d2	e	f	L	L1	n	r	Weight (g)
041001	FF04ISO/DIN	8-10	M4x0,7	4	11	19	9	8	4	15	5	8	6	0,5	21	16	8	0,5	7
041002	FF06ISO/DIN	12-16	M6x1	6	16	28	14	12	6	23	6	10	9	0,5	31	24	12	0,5	19
041003	FF08ISO/DIN	20	M8x1,25	8	22	37	19	16	8	31	8	14	12	0,5	42	32	16	0,5	47
041004	FF10ISO	25-32	M10x1,25	10	26	46	23	20	10	39	10	18	15	0,5	52	40	20	0,5	89
041005	FF12ISO	40	M12x1,25	12	32	55	28	24	12	47	12	20	18	0,5	62	48	24	0,5	153
041006	FF16ISO	50-63	M16x1,5	16	40	72	36	32	16	62	14	26	24	1	83	64	32	1	320
041007	FF20ISO	80-100	M20x1,5	20	48	88	44	40	20	72	16	34	30	1	105	80	40	1	680
041008	FFP24ISO	*	M24x2	25	-	-	-	50	25	-	-	42	36	1	132	100	50	1	1330
041009	FFP27ISO	125	M27x2	30	-	-	-	55	30	-	-	48	38	1	148	110	54	1	1810
041010	FFP36ISO	160-200	M36x2	35	-	-	-	70	35	-	-	60	40	1	188	144	72	1	3890
041068	FFP42ISO	250	M42x2	40	104,3	-	-	85	40	-	-	70	63,5	1	232	168	84	5	5300
041069	FFP48ISO	320	M48x2	50	117,3	-	-	96	50	-	-	82	73	1	265	192	96	5	7900

* For cylinders not conforming to standards.