

Max Jac

12 and 24 Vdc - load up to 800 N



» Ordering Key - see page 80
» Glossary - see page 85

Performance Specifications

Parameter		Max Jac
Maximum load, dynamic / static MX •• W (worm screw) MX •• B (ball screw)	[N]	500 / 2000 800 / 100 - 350 ⁽¹⁾
Speed, at no load / at maximum load MX •• W (worm screw) MX •• B (ball screw)	[mm/s]	33 / 19 60 / 30
Available input voltages	[VDC]	12, 24
Standard stroke lengths	[mm]	50, 100, 150 200, 250 ⁽²⁾ , 300 ⁽²⁾
Operating temperature limits	[°C]	-40 to +85
Full load duty cycle @ 25 °C	[%]	25
End play, maximum	[mm]	0,3
Restraining torque	[Nm]	2
Lead cross section	[mm ²]	1
Standard cable lengths	[mm]	300, 1600
Protection class		IP66/IP69K
Salt spray resistance	[h]	500
Life	[cycles]	500000 ⁽³⁾
Analog position feedback signal	[VDC]	0,5 - 4,5
Encoder position feedback option Supply voltage Pulses per mm, worm / ball screw Channels	[VDC]	5 9,86 / 5,84 A, B

Standard Features and Benefits

- Designed for industrial applications
- Rugged aluminum housing with IP69K
- High efficiency
- Long life
- Hard coat anodizing for high corrosion resistance
- Virtually maintenance free
- Worm or ball screw models
- Non contact analog position feedback signal

General Specifications

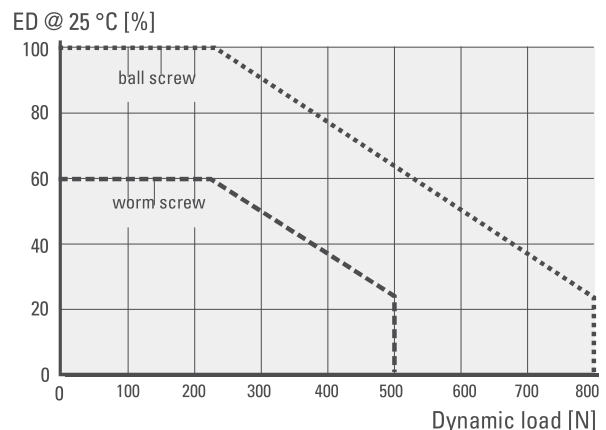
Parameter	Max Jac
Screw type	worm or ball
Internally restrained	no
Manual override	no
Dynamic braking	no
Self locking worm screw models ball screw models	yes no
End of stroke protection	no
Mid stroke protection	no
Motor protection	no
Motor connection	flying leads or cable with connector
Motor connector	AMP Superseal Series 1,5
Certificates	CE
Options	Encoder position feedback

⁽¹⁾ The static force (i.e. the backdriving force) for a ball screw unit varies and is dependant on the number of cycles it has been running and at which loads.

⁽²⁾ Strokes possible for ball screw models only.

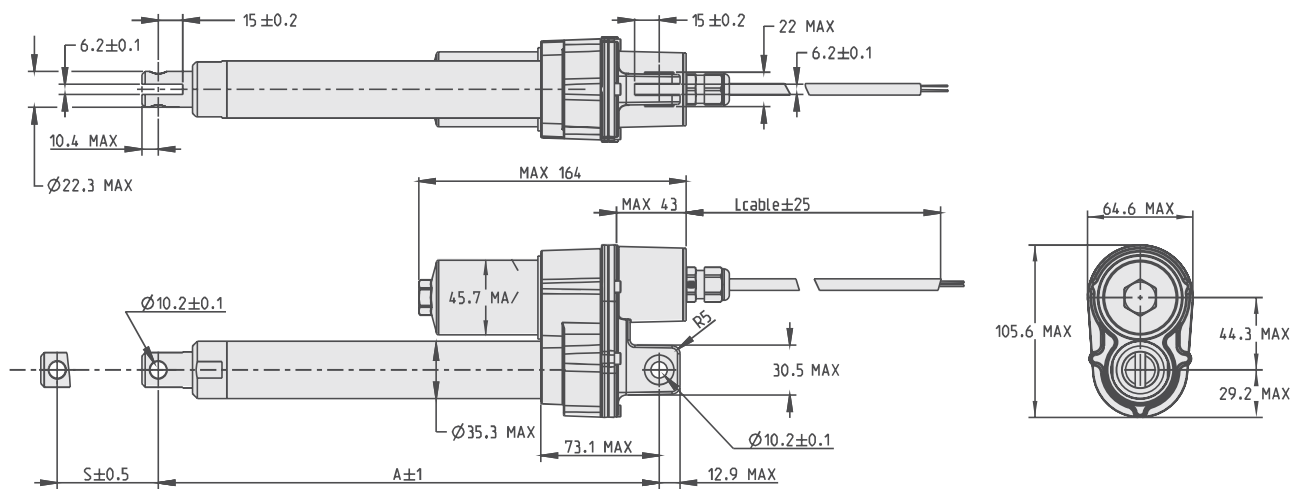
⁽³⁾ For ball screw actuator with 100 mm stroke, average load of 500 N and changing load direction.

Duty Cycle vs. Load



Max Jac

12 and 24 Vdc - load up to 800 N



Stroke (S)	[mm]	50	100	150	200	250 *	300 *
Retracted length (A)	[mm]	206	256	306	356	406	456
Weight	[kg]	1,5	1,7	1,9	2,1	2,2	2,4

* Strokes possible for ball screw models only.

Performance Diagrams

