

Hydraulic-Pump

Height adjustment by hydraulic pump - a clever alternative not only for beds

With the new Bansbach hydraulic pump, the height of a great variety of applications can be adjusted **by simply pumping**. The pump can be completely operated **without external energy supply**. The movement is effected by simply pumping. Due to the weight of the application, the reset is always controlled and can be effected by opening the valve.

The known characteristics of the Bansbach gas springs apply of course for this Bansbach product, too.

We offer here also a **very flexible product range** which will be adapted to the characteristics of your application and therefore optimally fulfills your requirements.

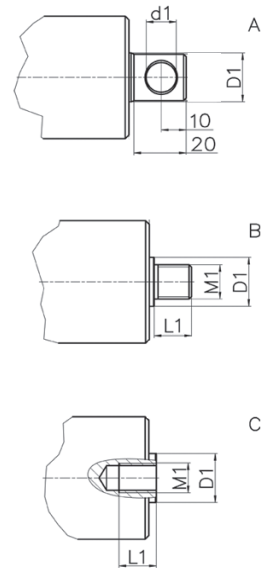
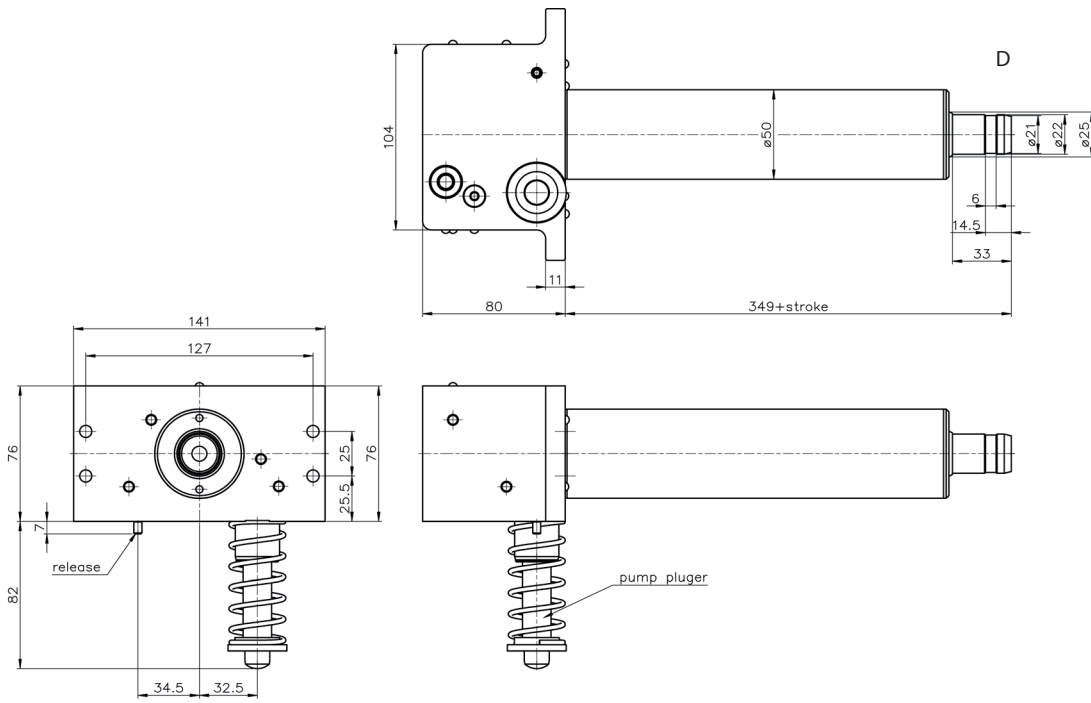
Please contact us!

Product characteristics:

- Maintenance-free
- Completely independent of external energy supply
- Extension forces up to 10kN
- Strokes from 80 - 400 mm possible
- Operating temperature: +10°C - +40°C
- Overload protection



Hydraulic-pump	Model	Connecting part housing	Connecting part pedal shaft	Connecting part piston rod	Stroke	Extension length (min)	Color	Specification	Index*
HPS	4	-	S	A	250	350	G	-	001
	4	- = none	S = Standard	A	80 - 400	stroke + 100	S = black	- = standard	*only necessary for repeating orders
	5	X = special	X = special	B			G = grey	B = special	
				C			W = white		
				D			U = uncoated		
				X = special			X = special		



	Ø piston rod [mm]	max dynamic force [N]	max static force [N]	number of strokes [per 100mm]
model 4	20	4500	8000	7±1
model 5	25	5400	9600	7±1

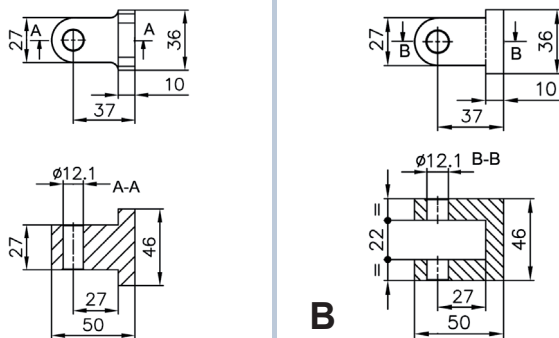
customized adaptations on request

A	ØD1 [mm]	d1 [mm]
model 4	20	12,1
model 5	25	12,1

B	ØD1 [mm]	M1 [mm]	L1 [mm]
model 4	20	M14x1,5	20
model 5	25	M14x1,5	20

C	ØD1 [mm]	M1 [mm]	L1 [mm]
model 4	20	M8	20
model 5	25	M8	20

Connecting parts:



The flyer is subject to technical alterations and printing mistakes.

Bansbach easylift GmbH
Barbarossastraße 8
D-73547 Lorch

Tel. +49 (0) 7172/9107-0
Fax +49 (0) 7172/9107-44

info@bansbach.de
www.bansbach.de

Bansbach
easylift