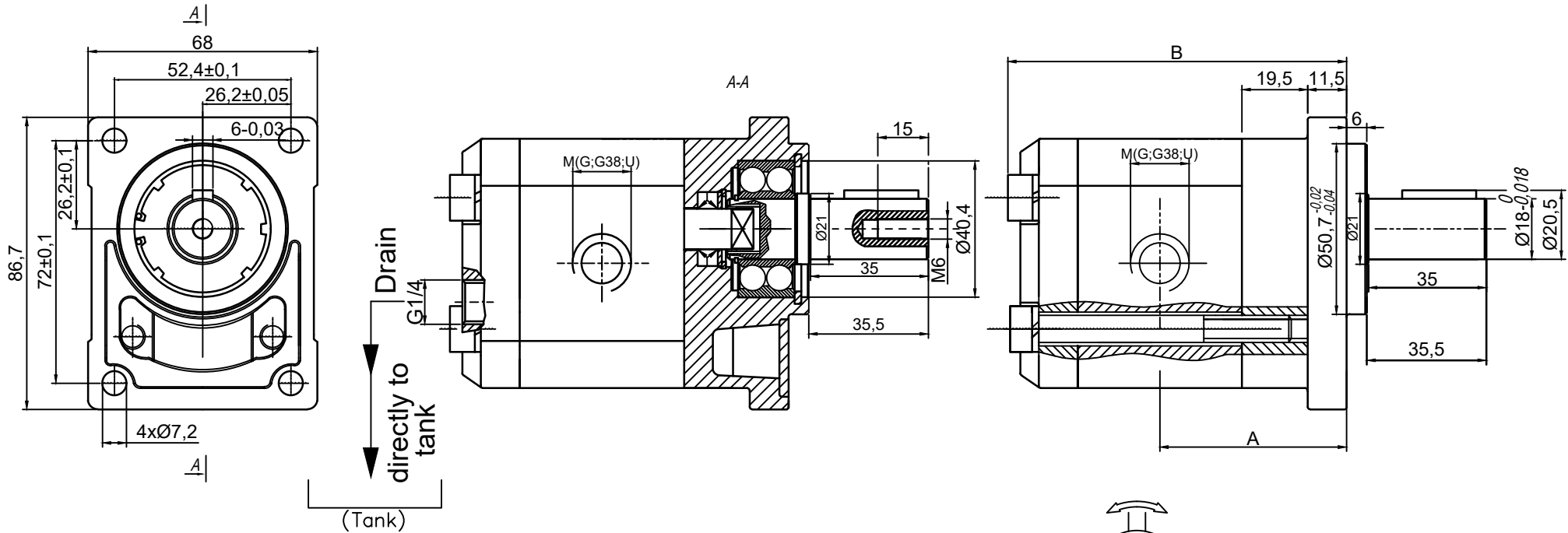


10MR ... X846 G38V18-mcs (M,G,G38,U)



Type	Displacement $q, [cm^3]$	Nominal pressure $P_{nom}, [MPa]$	Speed $n, [min^{-1}]$	A mm	B mm	Inlet				Outlet			
						M	G	G38	U	M	G	G38	U
10MR3,65X846G38V18-mcs	3,65	20	750...3500	57,4	104,9	M20x1,5	G1/2"	G3/8"	3/4"-16 UNF-2B (ORB)	M20x1,5	G1/2"	G3/8"	3/4"-16 UNF-2B (ORB)
10MR4,2X846G38V18-mcs	4,2			58,5	107,1								
10MR4,7X846G38V18-mcs	4,7			59,5	109								
10MR5X846G38V18-mcs	5			60,1	110,2								
10MR5,7X846G38V18-mcs	5,7			61,5	113,1								
10MR6,1X846G38V18-mcs	6,1			62,4	114,8								
		18	750...3000										



caproni
hydraulic components & systems

fax: +359 431/ 62 230
telex: 088 508
tel: +359 431/ 62 227
62 229