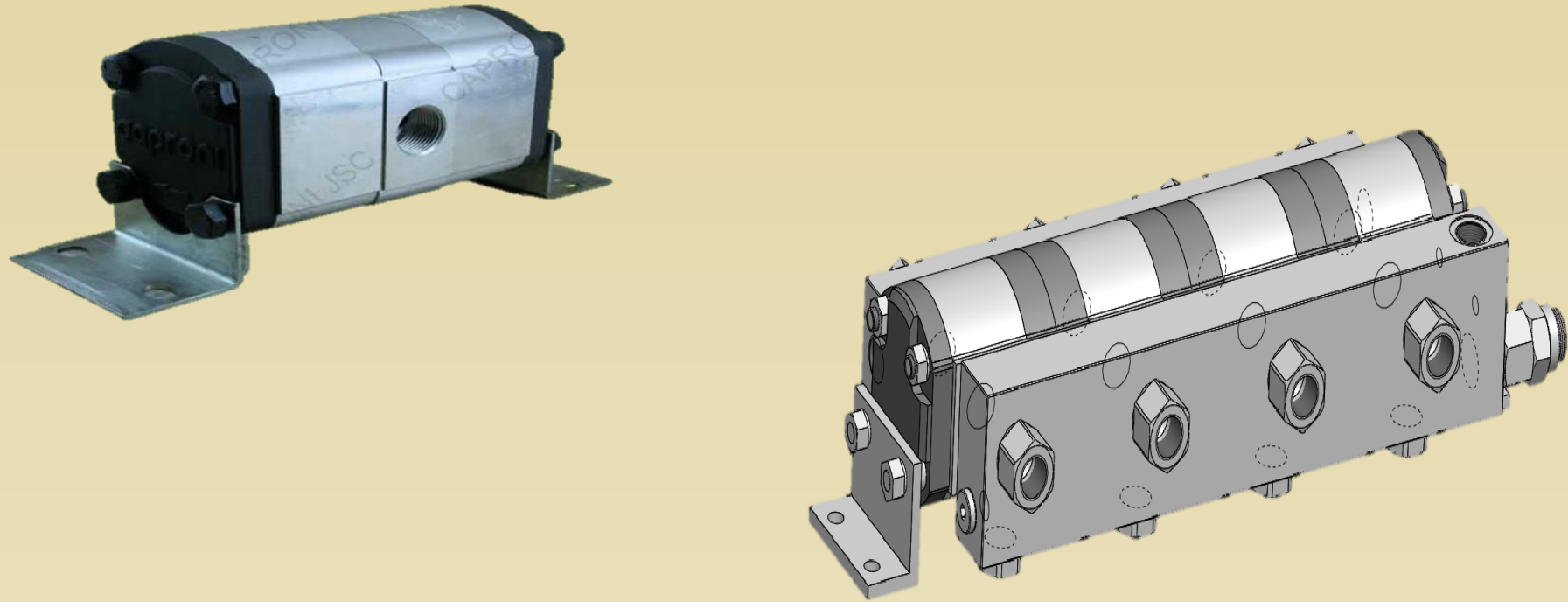


## Gear flow dividers



Based on gear pumps gr. 00,10 and 20

## Gear flow dividers overview

### Size 00-

2 or 3 sections – displacement from 0,5 ccm/rev up to 1,5 ccm/rev.  
0,25 ccm/rev in internal design approval phase.

We are able to offer upon concrete inquiry describing number of sections, displacement of each section, requested flow ! If You have interest send us Your inquiry , we are also able to read Vivoil codes for these products.

## Gear flow dividers overview

### Size 10

Up to 6 stages

Displacements from 1,6 to 6,1 ccm/rev , bigger than 6,1 only under customer' s request

Dividers can be realized with common relief valve or without relief valve.

Divider size 10 with relief valve built in each stage is in progress. Serial production is not equipped yet!

So we are able to offer upon concrete inquiry describing number of sections, displacement of each section, requested flow ! If You have interest send us Your inquiry , we are also able to read Vivoil codes for these products.

## Gear flow dividers overview

### Size 20

Up to 4 stages

Displacements – from 6,3 to 25 ccm/rev

Dividers size 20 are only without relief valves

Existing serial production refers to 2 sections.

So we are able to offer upon concrete inquiry describing number of sections, displacement of each section, requested flow ! If You have interest send us Your inquiry , we are also able to read Vivoil codes for these products.