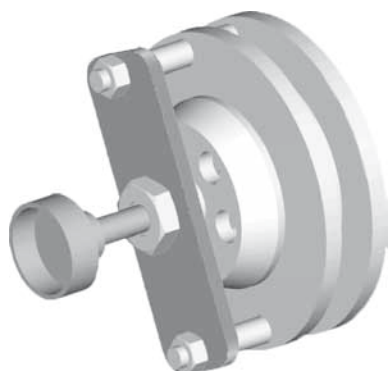
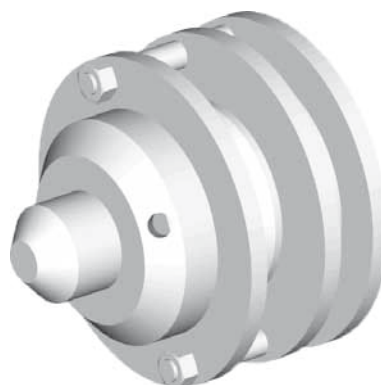


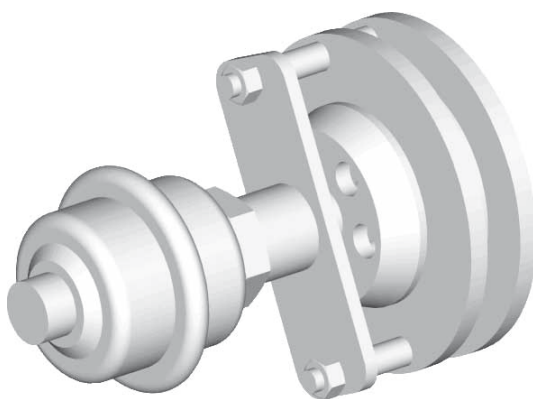
## 6.10 Single disc brake type ESB mini



Single disc brake manual



Single disc brake pneumatic

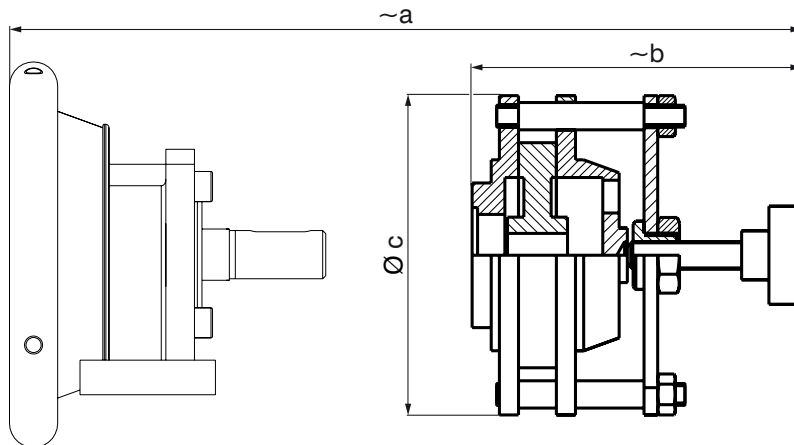


Single disc brake with membrane cylinder I

	ESB Mini		
	manual	pneumatic	membrane I
<b>type mini</b>			
performance kW (h.p.)	0.1 (0.134)	0.1 (0.134)	0.1 (0.134)
max. brake torque Nm (ft/lb)	30 (22,1)	30 (22,1)	30 (22,1)

All data is on a basis of 5 bar (14,5 psi) pressure.

### Mini Chuck with manual single disc brake

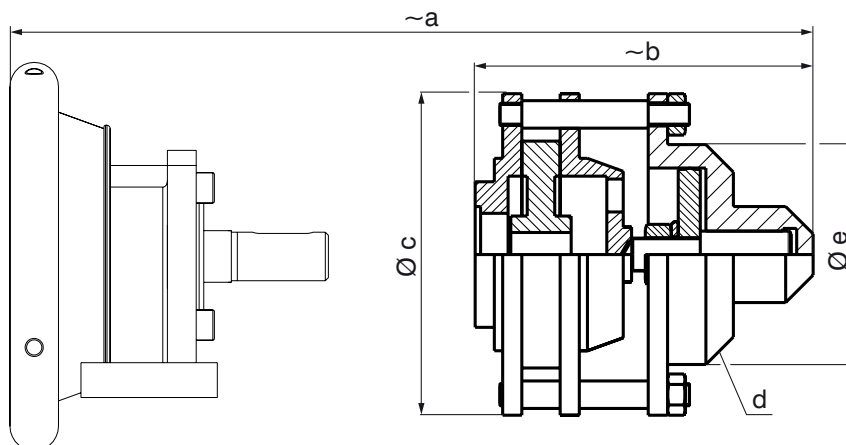


picture of chuck just symbolic

	a	b	c
<b>Mini Chuck + ESB manual</b>	174	110	117

Dimension schedule for Boschert-Chuck see chapter 2.00

### Mini Chuck with pneumatic single disc brake



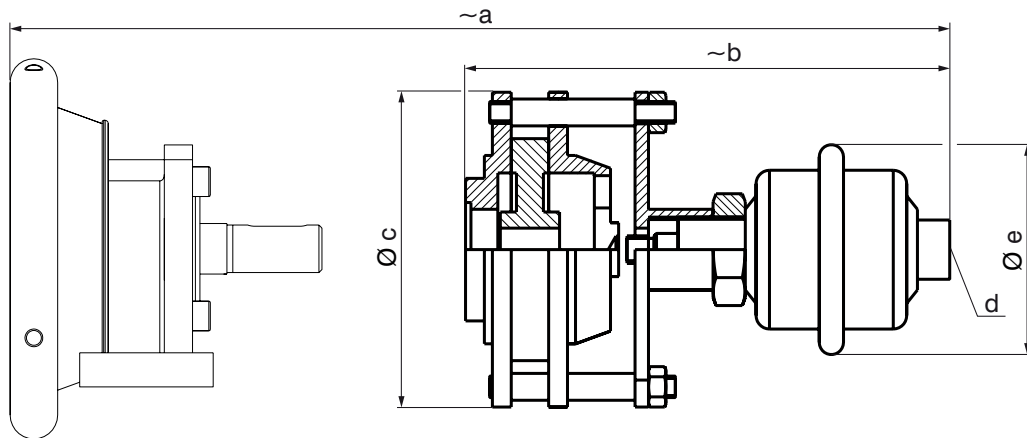
picture of chuck just symbolic

	a	b	c	d	e
<b>Mini Chuck + ESB pneumatic</b>	192	125	117	G 1/8	80

Dimension schedule for Boschert-Chuck see chapter 2.00

# ESB mini and membrane cylinder I

## Mini chuck with single disc brake and membrane cylinder I

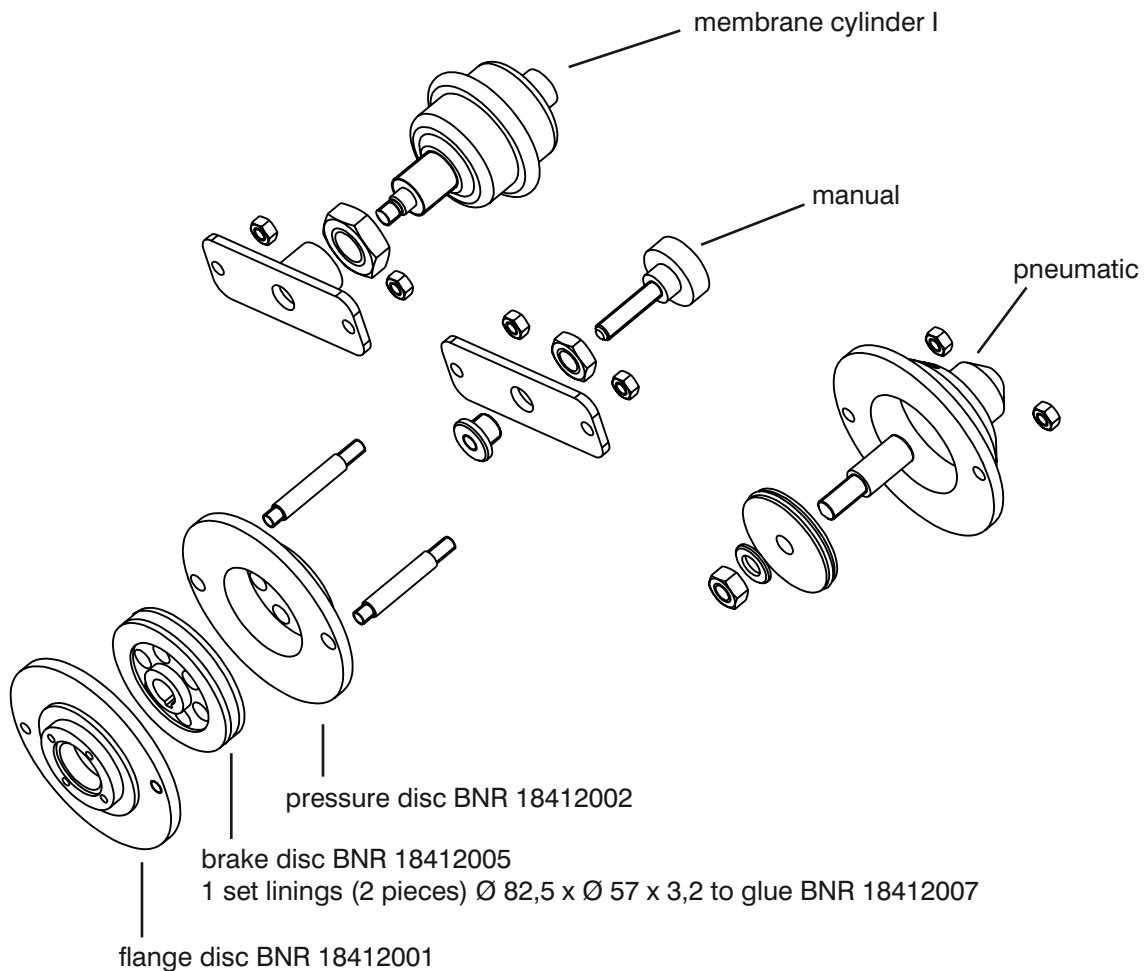
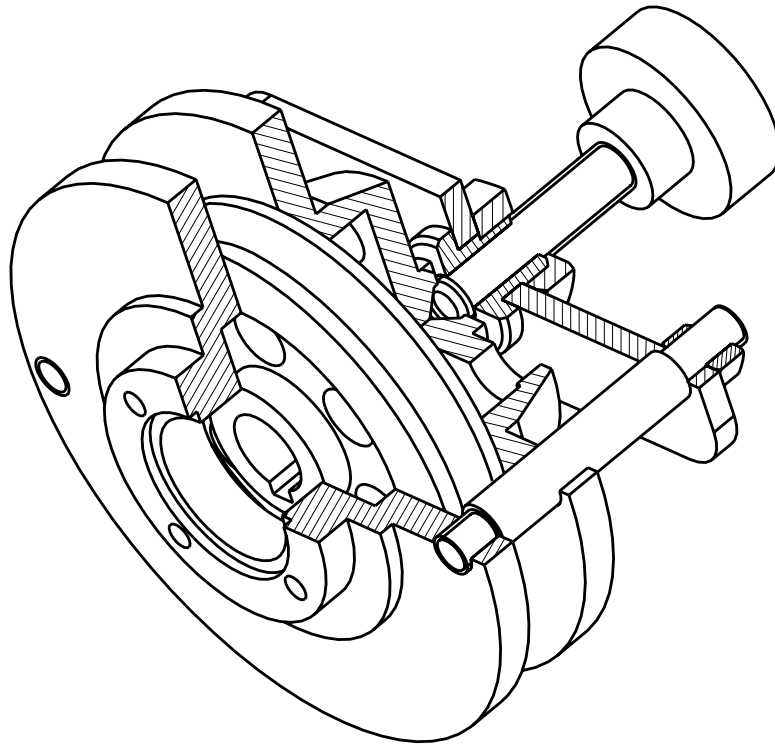


picture of chuck just symbolic

	a	b	c	d	e
<b>Mini Chuck + ESB membrane I</b>	234	170	117	G 1/4	80

Dimension schedule for Boschert-Chuck see chapter 2.00

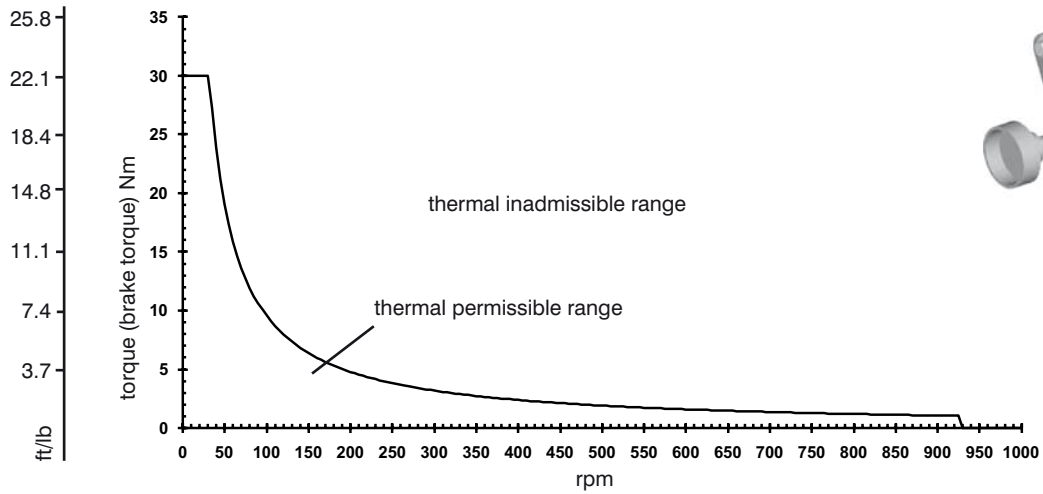
# ESB mini wearing-parts



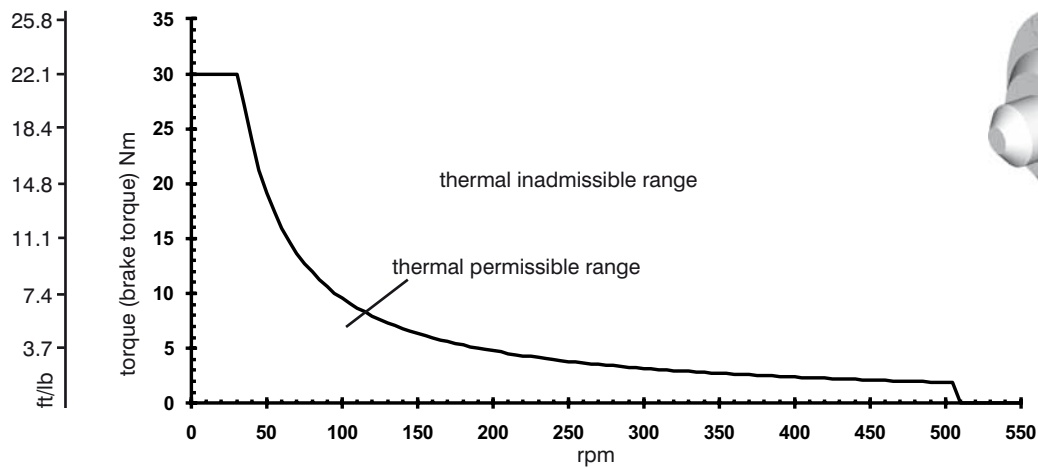
# ESB Mini performance diagrams



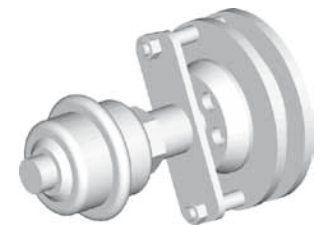
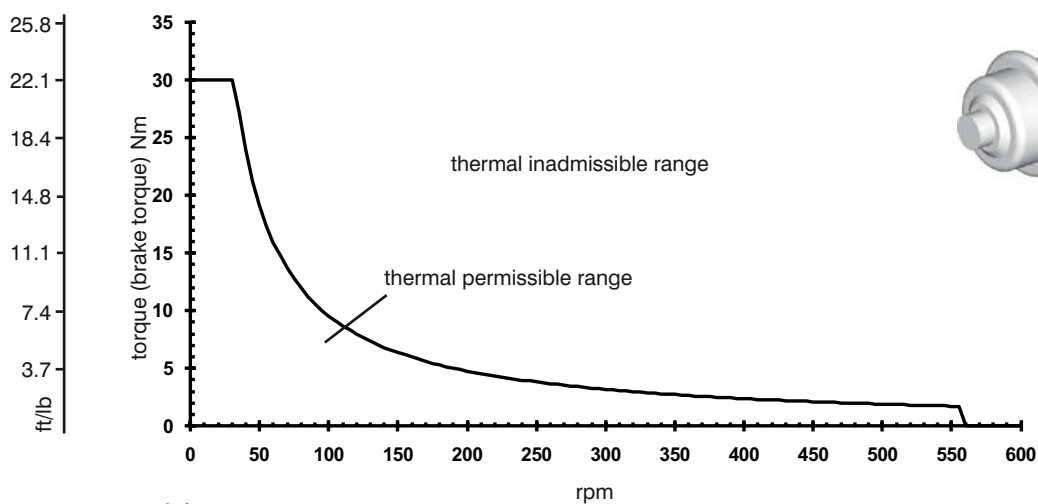
## ESB Mini manual



## ESB Mini pneumatic



## ESB Mini membrane I



1 Nm = 0.7376 ft/lb

Mattenstrasse 1  
D-79541 Loerrach-Hauingen

infokl@boschert.de  
www.boschert.de

Tel.: +49 (0) 7621 / 9593 0  
Fax: +49 (0) 7621 / 5518 4

**6.14**