

6.40 Double disc brake type DSB



Double disc brake manual



Double disc brake pneumatic



Double disc brake with membrane cylinder I

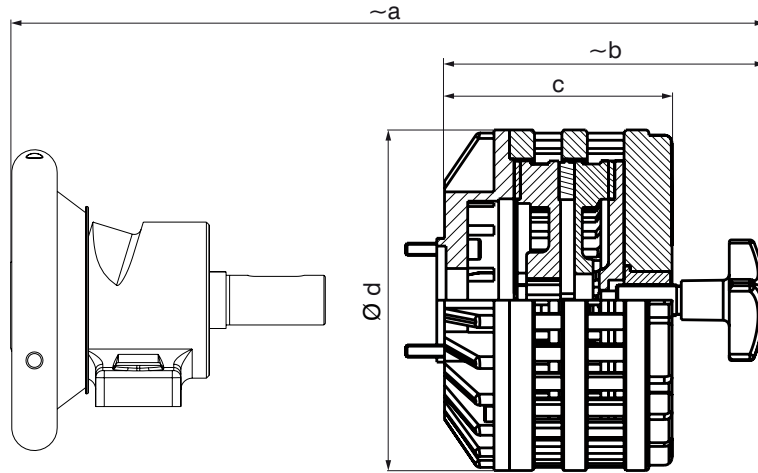


Double disc brake with membrane cylinder II

	DSB			
	manual	pneumatic	membrane I	membrane II
type 30-40 / A40 / P40				
performance kW (h.p.)	0,6 (0.805)	0,6 (0.805)	0,6 (0.805)	0,6 (0.805)
max. brake torque Nm (ft/lb)	200 (147,5)	200 (147,5)	200 (147,5)	440 (324,5)
type 40-50 / A50 / P50				
performance kW (h.p.)	0,6 (0.805)	0,6 (0.805)	0,6 (0.805)	0,6 (0.805)
max. brake torque Nm (ft/lb)	200 (147,5)	200 (147,5)	200 (147,5)	440 (324,5)
type 50-80 / A80				
performance kW (h.p.)	0,6 (0.805)	0,6 (0.805)	0,6 (0.805)	0,6 (0.805)
max. brake torque Nm (ft/lb)	200 (147,5)	200 (147,5)	200 (147,5)	440 (324,5)

All data is on a basis of 5 bar (72,5 psi) pressure.

Safety Chuck with manual double disc brake

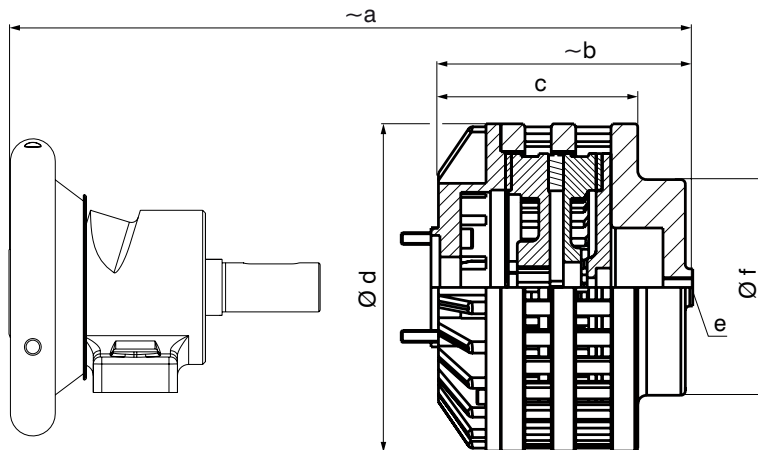


picture of chuck just symbolic

	a	b	c	d
Safety Chuck 30-40 + DSB manual	352	215	147	220
Safety Chuck 40-50 + DSB manual	403	215	147	220
Safety Chuck 50-80 + DSB manual	472	215	147	220

Dimension schedule for Boschert-Chuck see chapter 2.30 - 2.50

Safety Chuck with pneumatic double disc brake



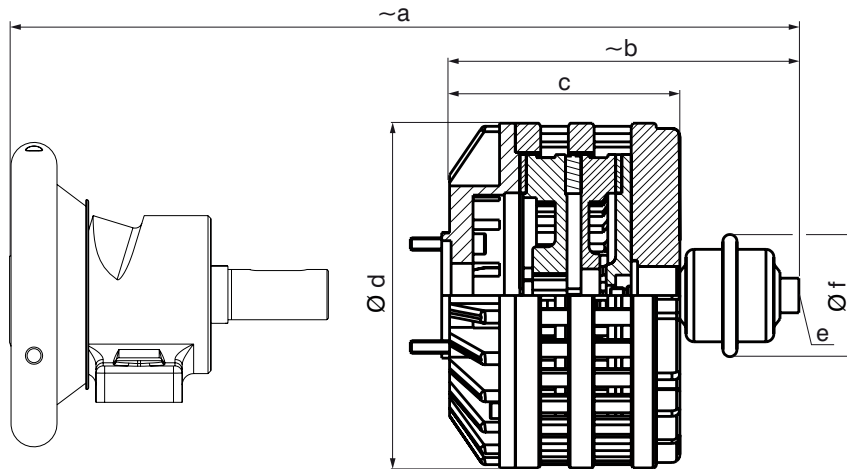
picture of chuck just symbolic

	a	b	c	d	e	f
Safety Chuck 30-40 + DSB pneumatic	310	170	147	200	G 1/4	145
Safety Chuck 40-50 + DSB pneumatic	361	170	147	200	G 1/4	145
Safety Chuck 50-80 + DSB pneumatic	430	170	147	235	G 1/4	145

Dimension schedule for Boschert-Chuck see chapter 2.30 - 2.50

DSB membrane cylinder I / DSB membrane cylinder II

Safety Chuck with double disc brake and membrane cylinder I

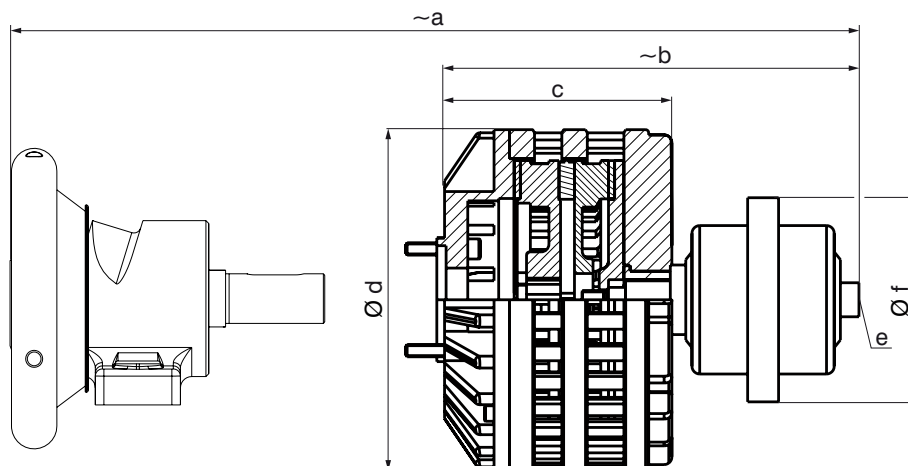


picture of chuck just symbolic

	a	b	c	d	e	f
Safety Chuck 30-40 + DSB membrane I	363	226	146	220	G 1/4	80
Safety Chuck 40-50 + DSB membrane I	414	226	146	220	G 1/4	80
Safety Chuck 50-80 + DSB membrane I	483	226	146	220	G 1/4	80

Dimension schedule for Boschert-Chuck see chapter 2.30 - 2.50

Safety Chuck with double disc brake and membrane cylinder II

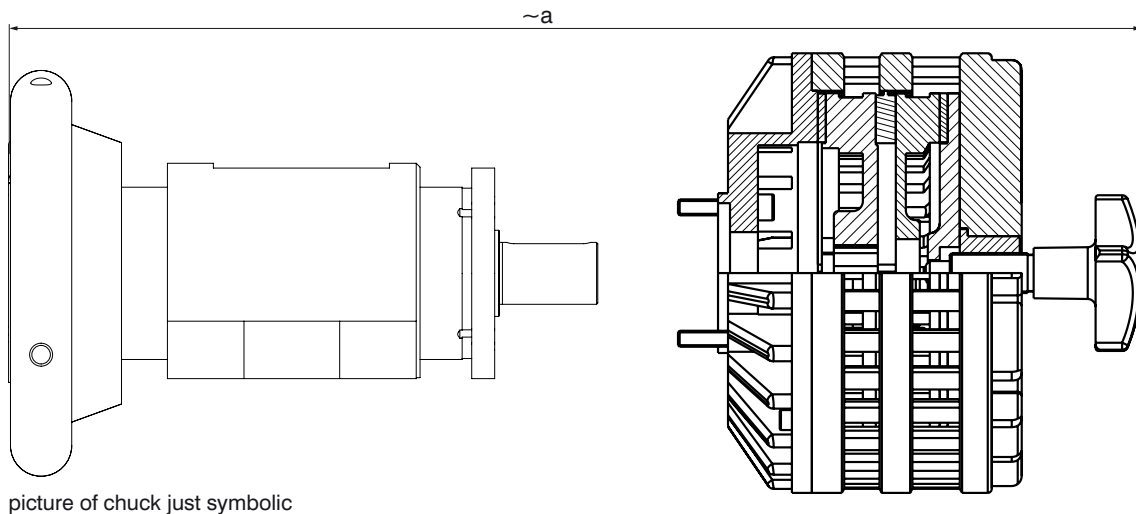


picture of chuck just symbolic

	a	b	c	d	e	f
Safety Chuck 30-40 + DSB membrane II	423	286	146	220	G 1/4	132
Safety Chuck 40-50 + DSB membrane II	474	286	146	220	G 1/4	132
Safety Chuck 50-80 + DSB membrane II	543	286	146	220	G 1/4	132

Dimension schedule for Boschert-Chuck see chapter 2.30 - 2.50

Overall dimension DSB with Sliding-, A- and P-chuck



picture of chuck just symbolic

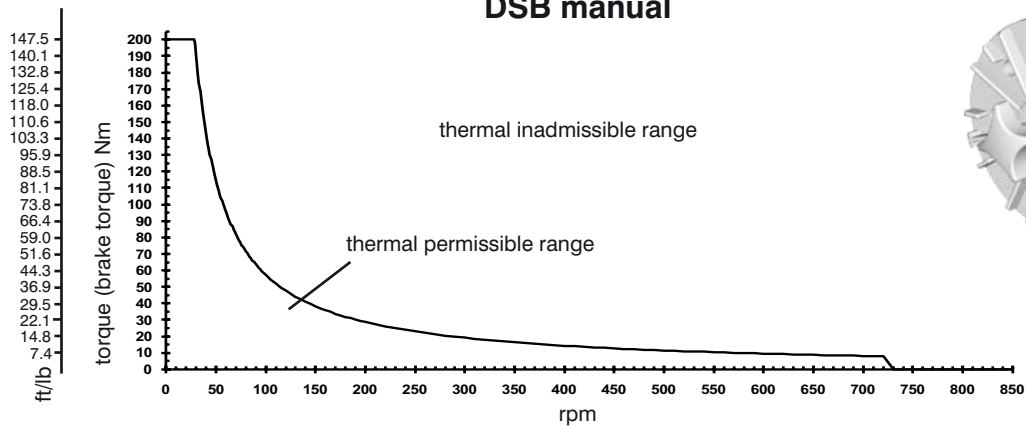
overall dimension „a“
for Boschert Sliding -, A- and P-Chuck (flange- and foot mounted chuck)

	DSB				chuck dim. on page
	manual	pneumatic	membrane I	membrane II	
brake dim. on page	6.41	6.41	6.42	6.42	
Sliding-Chuck					
30-40					
50 mm adjustment	469	424	480	540	3.03 - 3.06
100 mm adjustment	569	524	580	640	3.03 - 3.06
40-50					
50 mm adjustment	472	430	485	546	3.03 - 3.06
100 mm adjustment	575	530	585	646	3.03 - 3.06
A Chuck					
A40	365	325	375	435	4.21 - 4.22
A50	412	370	423	483	4.31 - 4.32
A80	492	450	503	563	4.41 - 4.42
P Chuck					
P40	432	390	438	495	4.61 - 4.62
P50	468	426	507	539	4.71 - 4.72

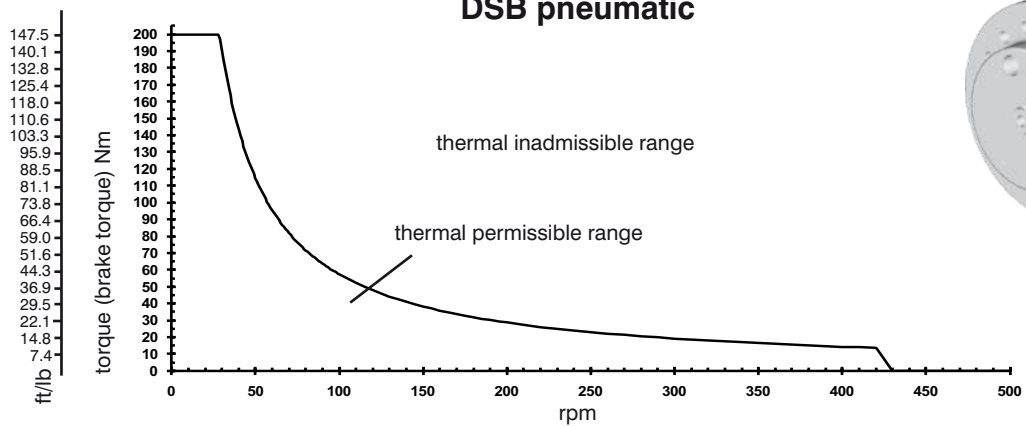
A Chucks = A Series Pneumatic Safety Chucks
P Chucks = P Series Pneumatic Safety Chucks

DSB performance diagrams type 30-40 / 40-50 / 50-80

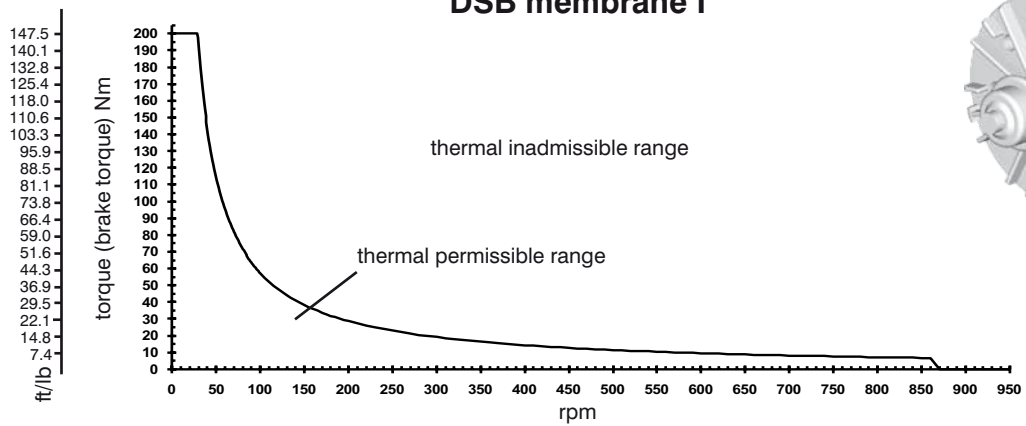
DSB manual



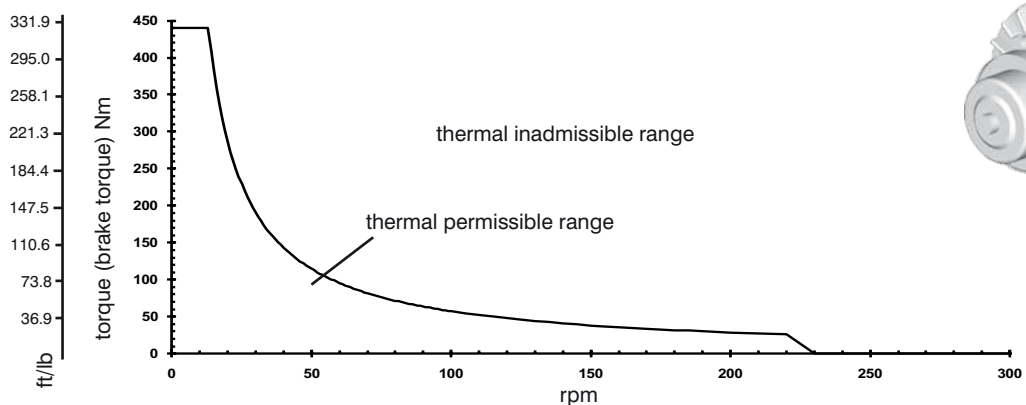
DSB pneumatic

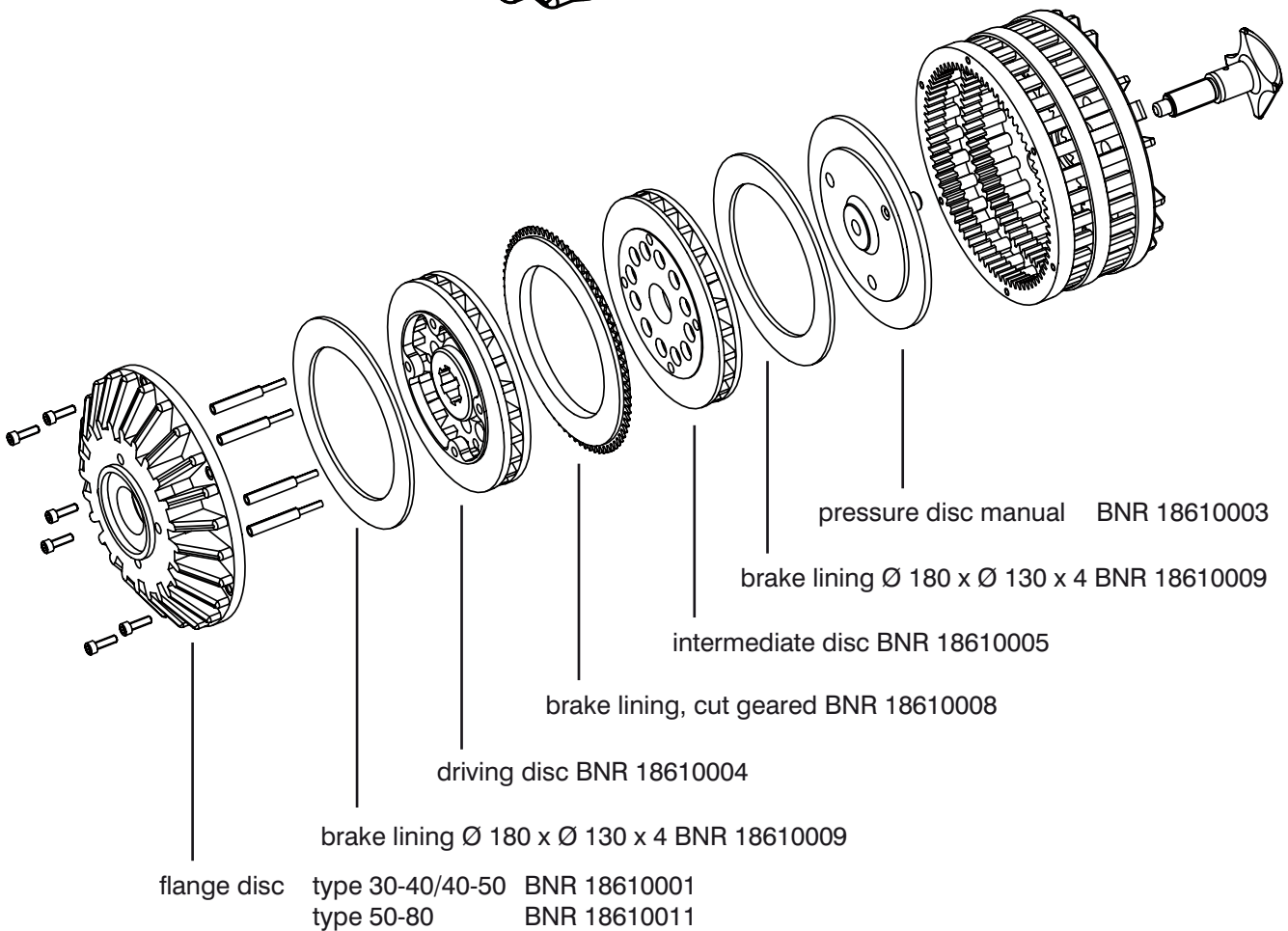
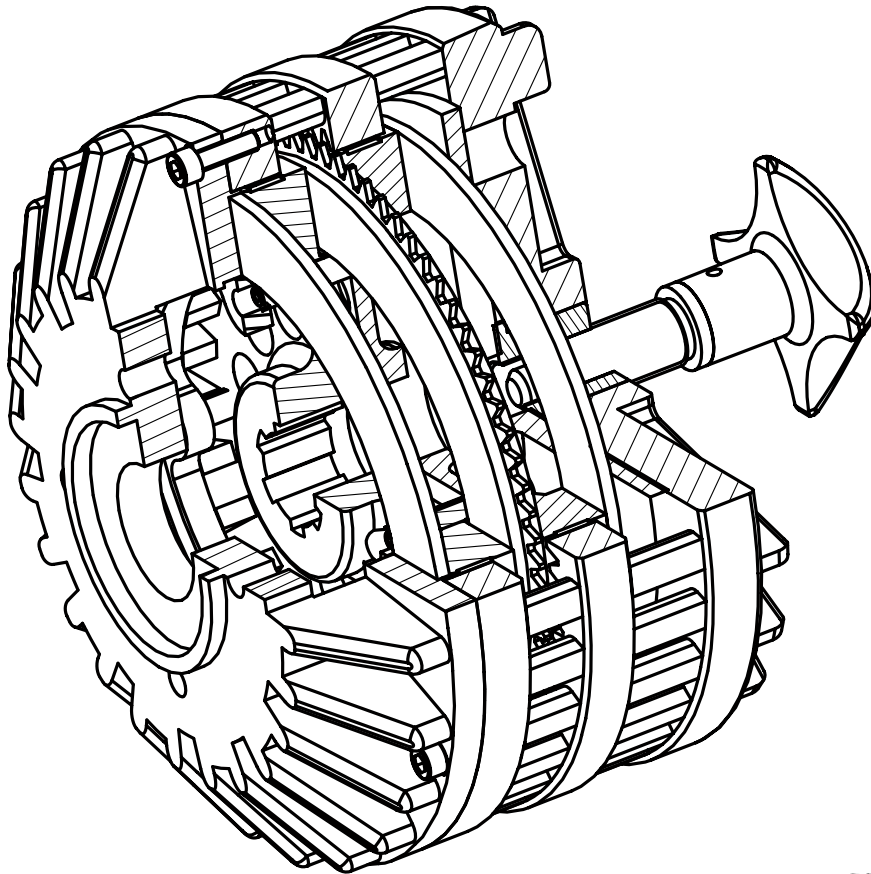


DSB membrane I

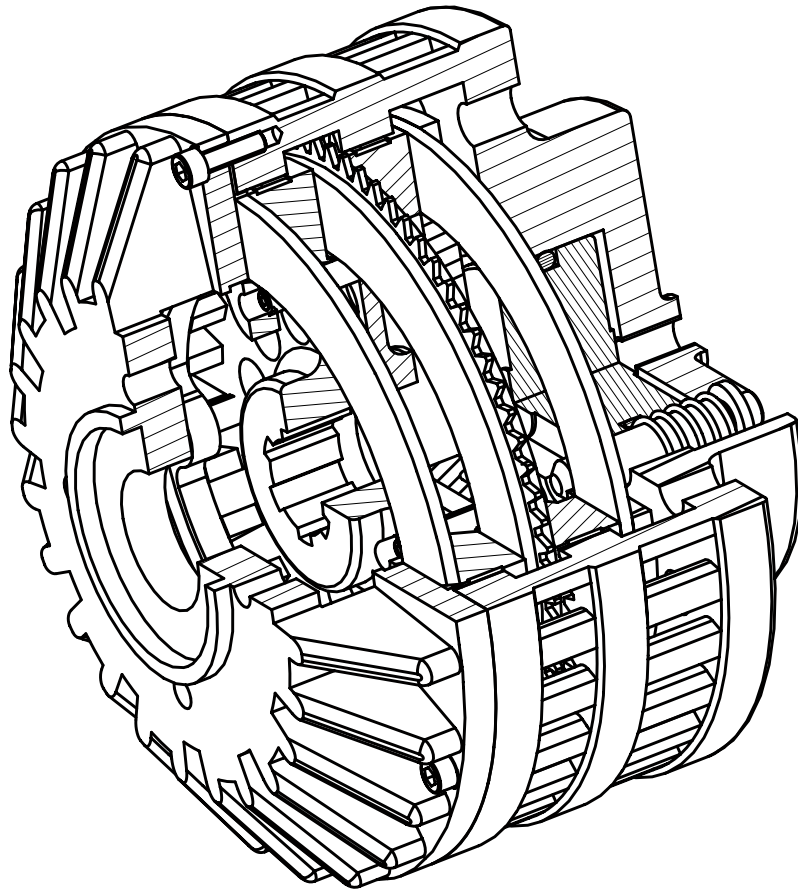


DSB membrane II

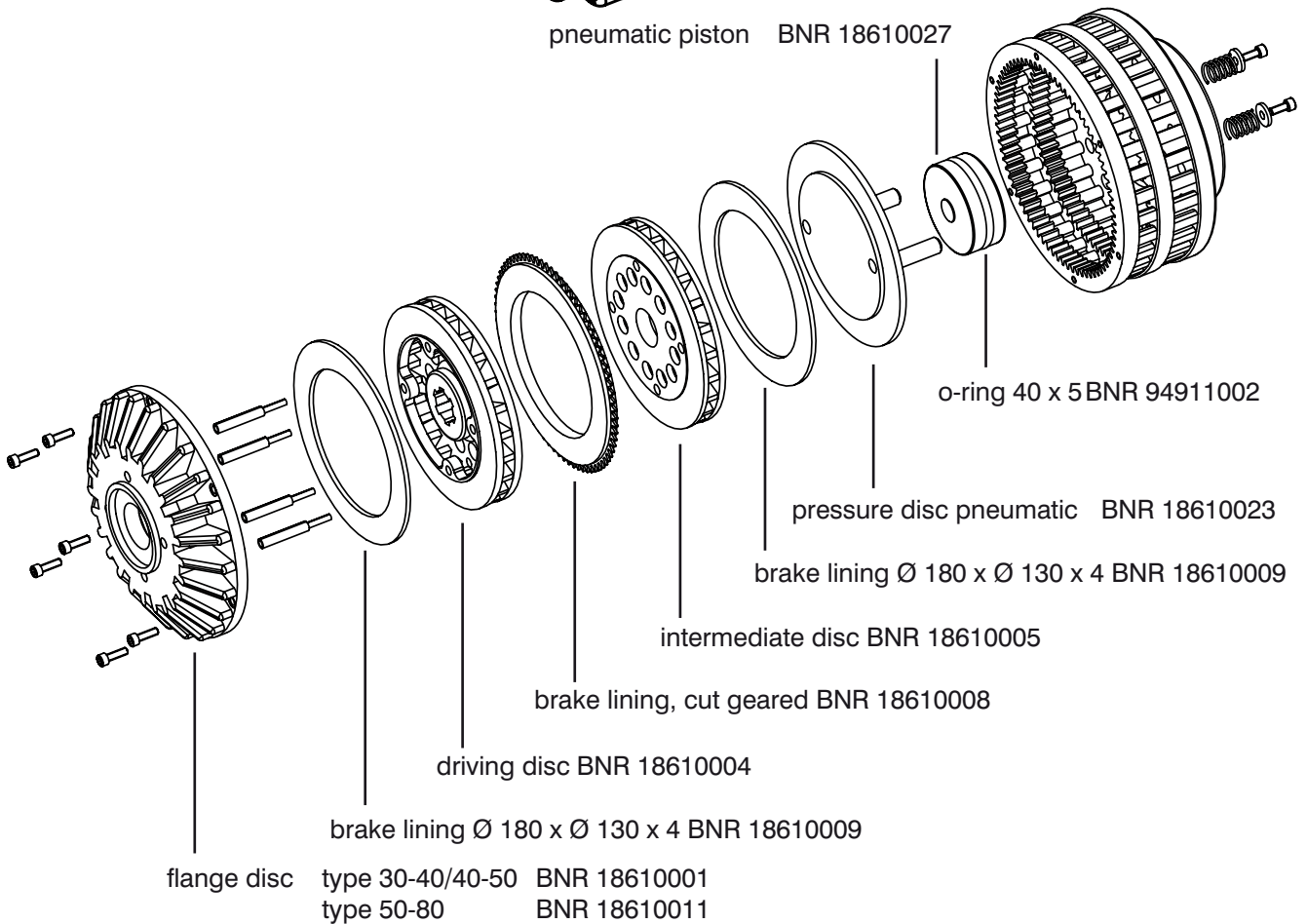




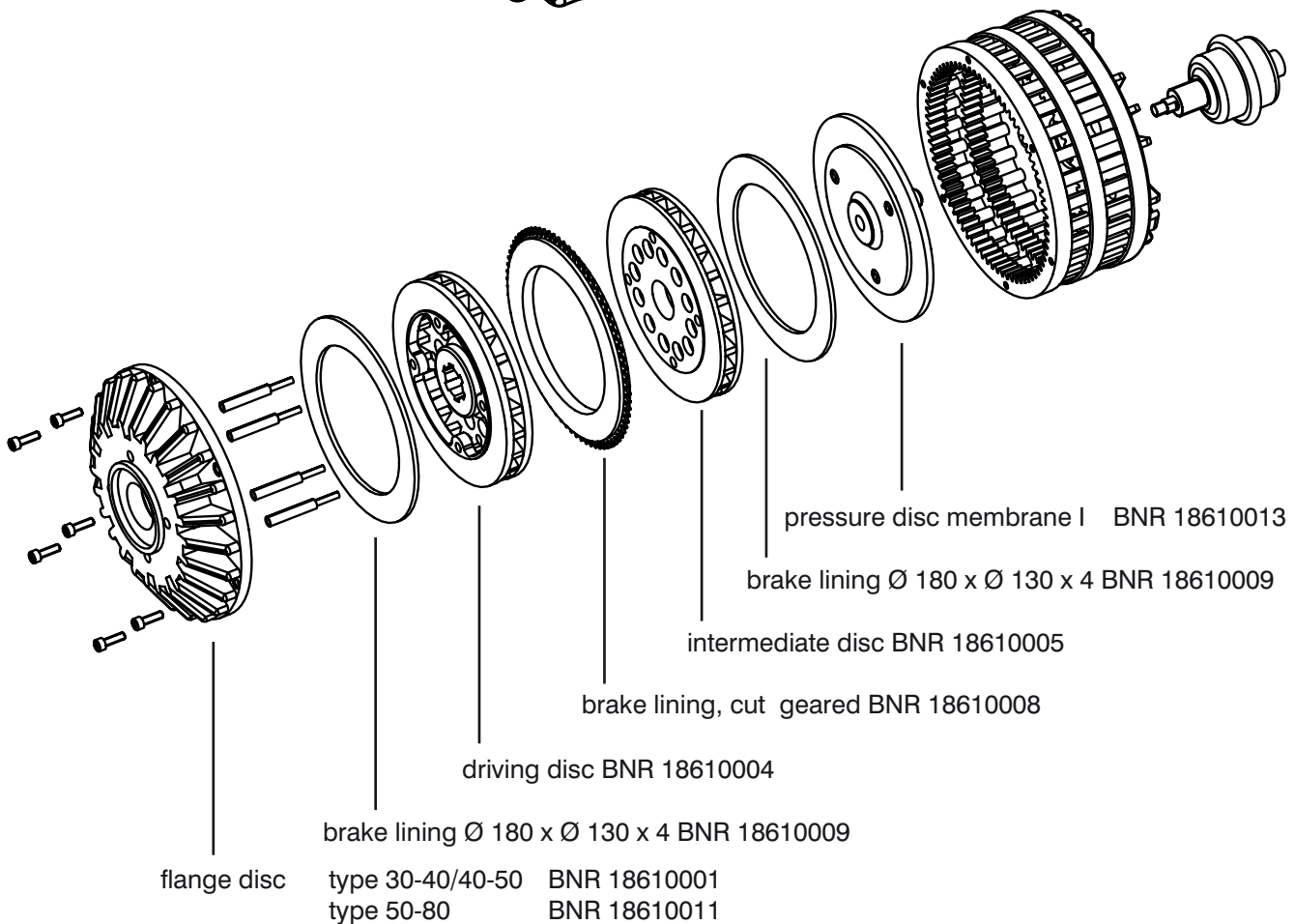
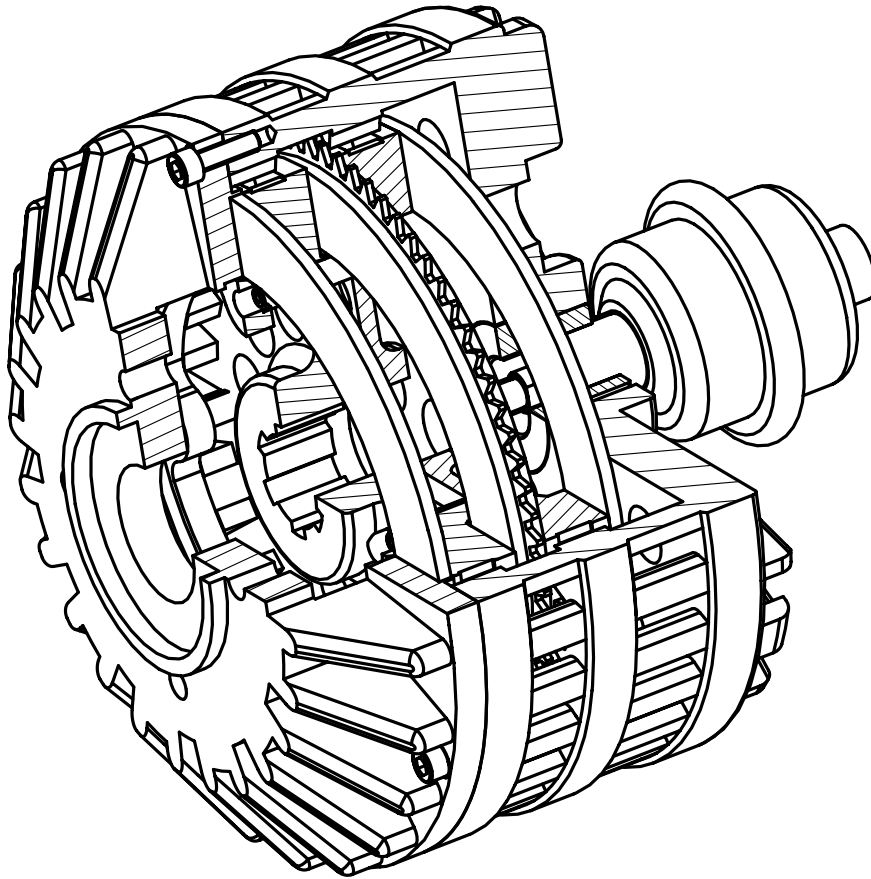
DSB pneumatic wearing-parts



pneumatic piston BNR 18610027



DSB membrane cylinder I wearing-parts



DSB membrane cylinder II wearing-parts

